

Watertight mechanical expansion joint for car parks

Dilat® 40/60

Function

Dilat® 40/60 is a watertight mechanical expansion joint for car parks.

Dilat ensures a comfortable and resistant mechanical continuity of the road surface for vehicles and trolleys parallel to expansion joints.

Dilat® 40/60 does not guarantee a water tight seal.

The watertightness depends on the successful completion of the complex sealing.

Technical Characteristics

Dilat® 40/60 is made up of:

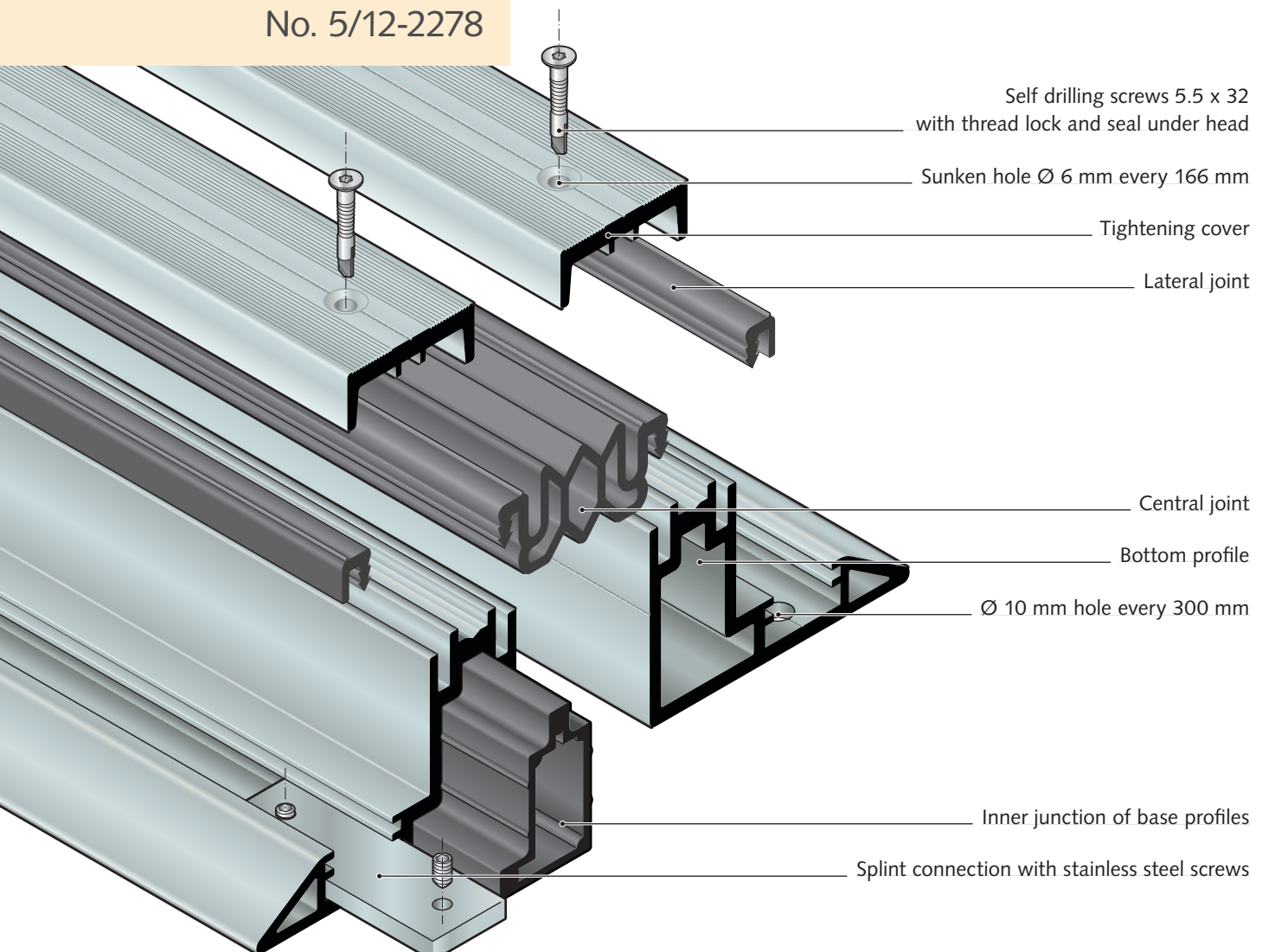
- **Aluminium profiles** (max 3000mm long)
- **Elastomer profiles** (max 30m long)

The system comprises junction accessories and fastenings.

Alterations can be made on site without issue, wherever necessary.

The Dilat® 40/60 is installed using M8 fixings (20 fixings per metre section), **which are not supplied.**

CSTB
No. 5/12-2278



Preparation support

The support is of great importance.

The support should be in accordance with the NF P 10-203 norm (DTU 20.12 Refer to paragraph 3.2 of Technical File).

The support should be perfectly flat to ensure a regular surface which is slippy.

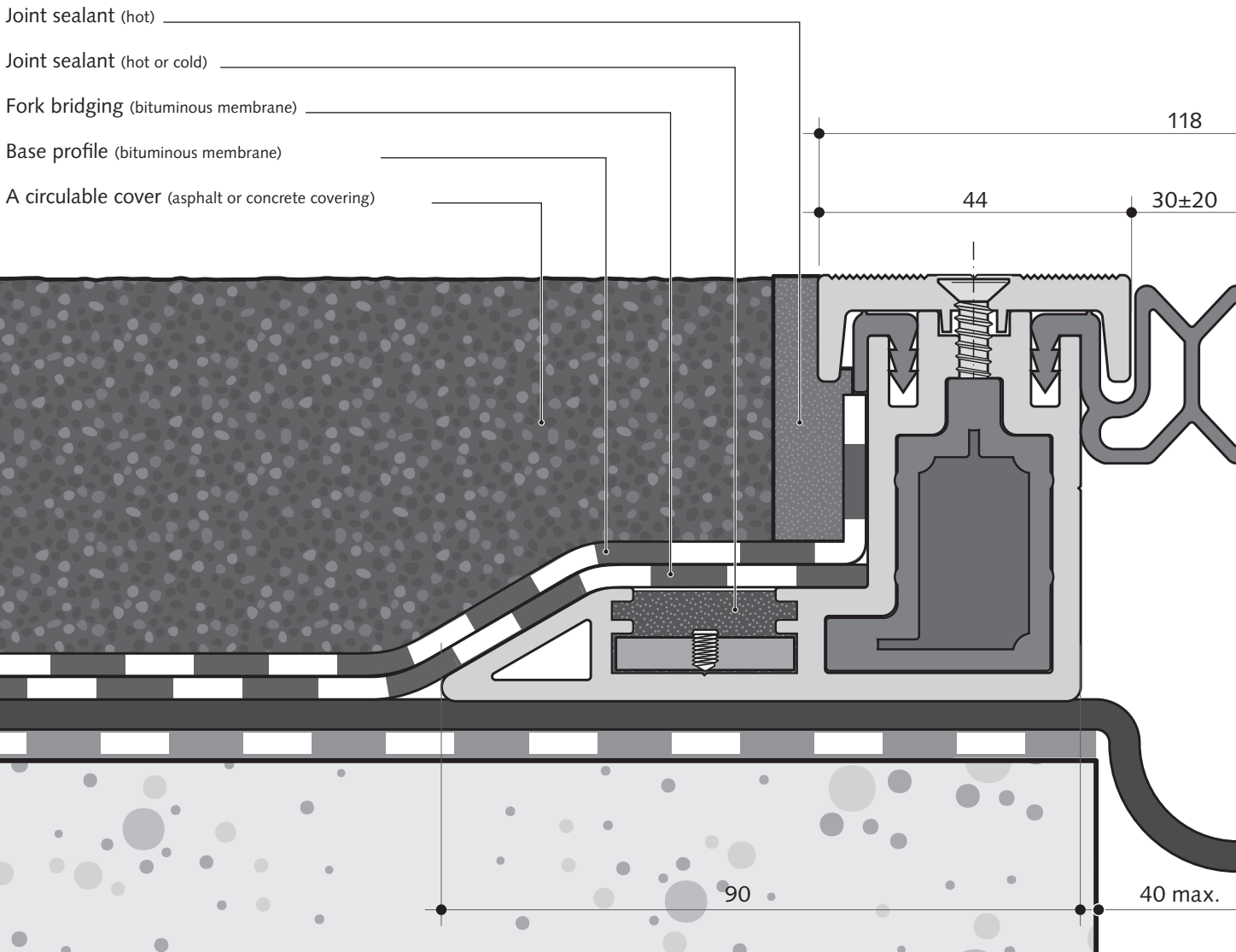
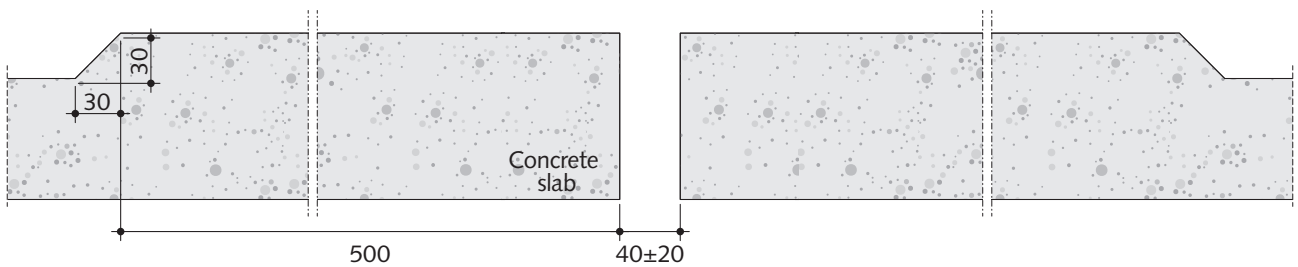
If there are imperfections, the following are necessary:

- a patching mortar resin
- sanding.

Maximum tolerances:

- 5mm per 3ml
- 1mm per 20cm
- 3mm misalignment between support surfaces on either side of the joint

Support preparation and the implementation of Dilat® should be performed in accordance with the instructions manual implemented by a company approved by dani alu, in close collaboration and coordination with the roofing sub-contractor.



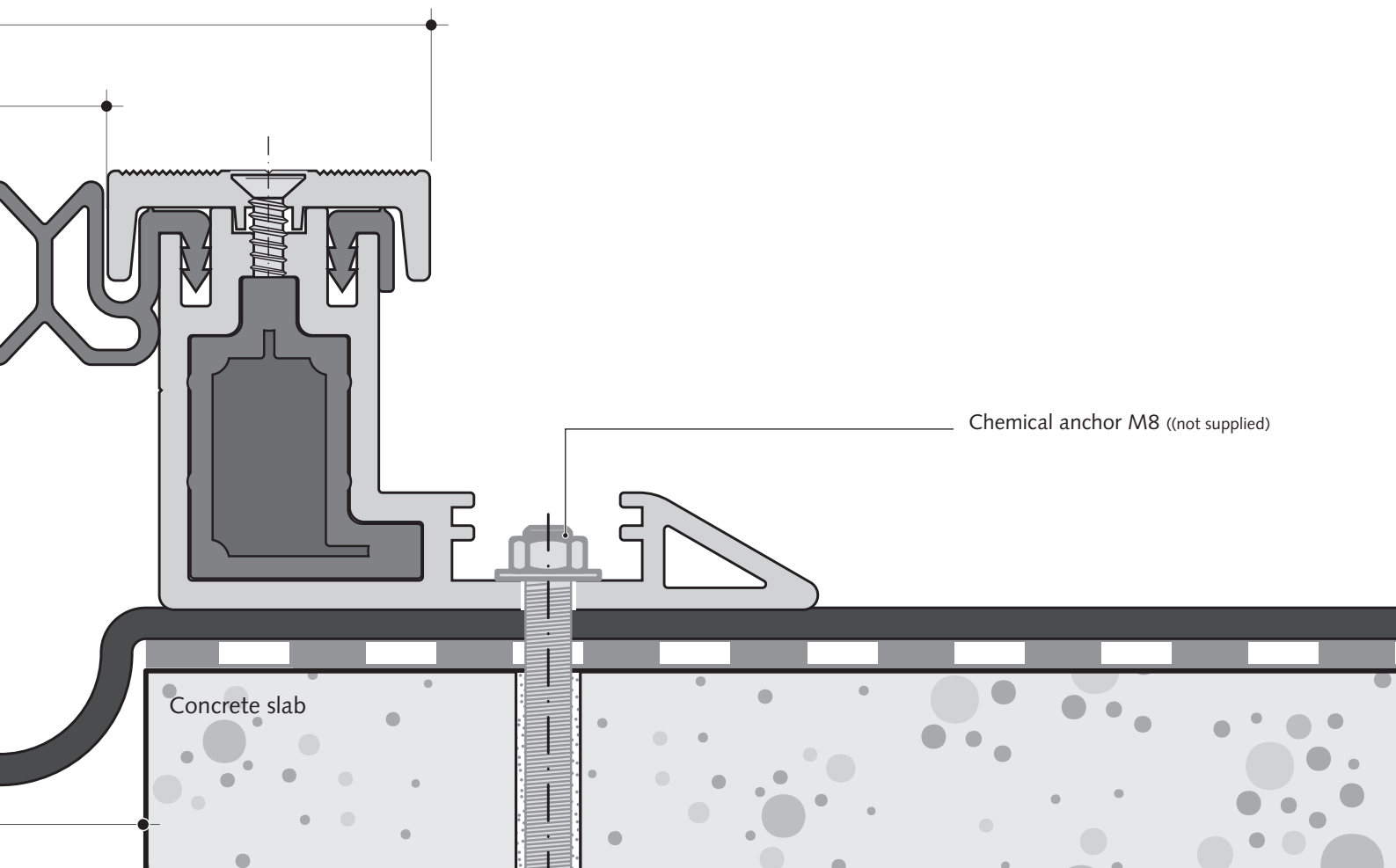
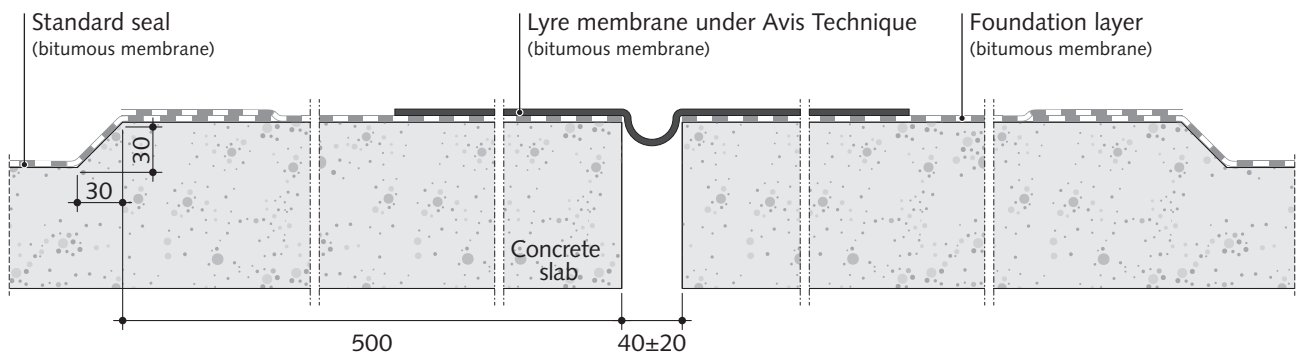
Implementation

The watertight sealant of the structure is fortified by a lyre membrane (not included) subject to a Avis Technique review.

The expansion of the joint structural work is performed in accordance with the NF P 84-204-1 norm (DTU 43.1) and with a sealing system the structural joints for largescale including Exceljoint of Axter SAS, Moplas Joint of Texsa SAS, Mepjoint IAP of Meple SA, Derbigum GC4 of Derbigum etc.

These are implemented prior to the laying of Dilat® 40/60, based on the opinion of Avis Technique respective and according to Dilat® 40/60's Technical dossier. Alterations are available where necessary.

A qualified watertight sealant company must execute installation (Qualibat 3211/3212) giving a 10year guarantee. This sealing work will be carried out in harmony with a danialu approved company.



Description

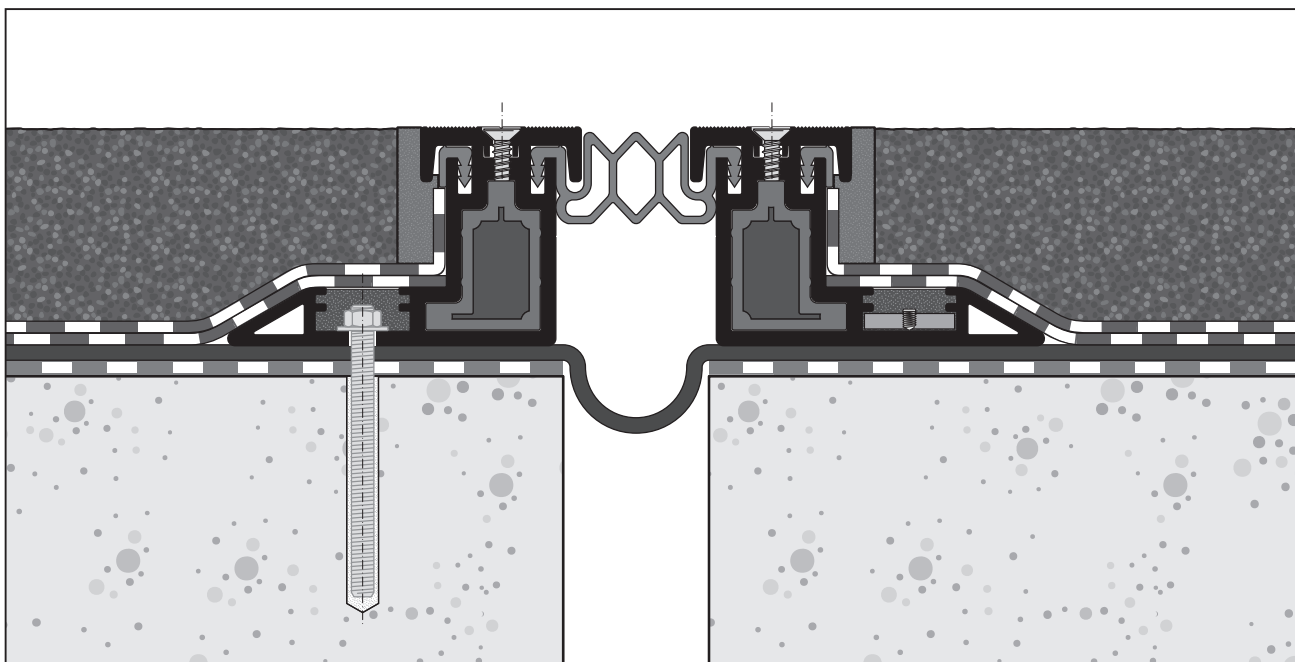
Dilat® 40/60

Mechanical protection system for joint expansion in car parks

A mechanical protection system for Dilat® 40/60 or equivalent joint expansion in car parks follows the technical document:

- Descriptive document of the system and domain application;
- Descriptive document of Dilnat 40/60's function the preparation for support and its implementation;
- Avis Technique CSTB 5/12-2278

This technical document is available on the danialu website www.danialu.com



Patented system. Brand and designs registered.

Subject to change.

All measurements are in mm.



dani alu UK Limited
Hexagon House
Avenue Four Witney Oxfordshire
OX28 4BN

Telephone: +44 1865 595160
Fax: +44 1865 595161
Email: contact@danialu.co.uk
www.danialu.com