



# Marchenet<sup>®</sup>

Aluminium handrails supports

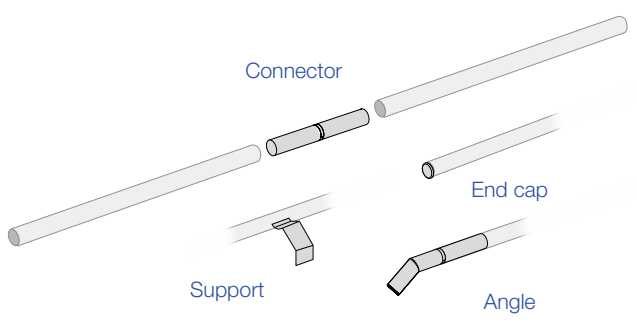


# The system



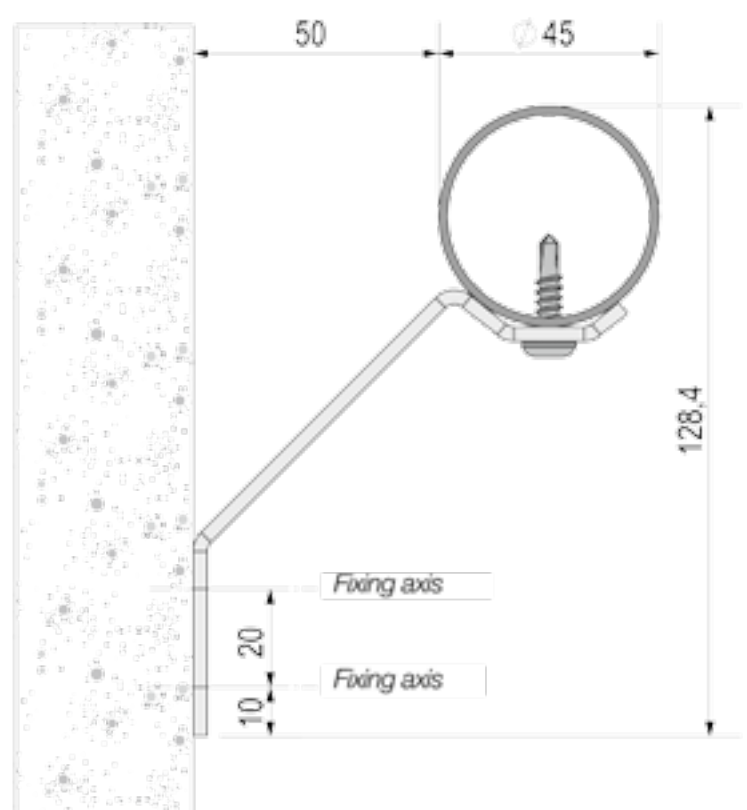
- ✓ Guidance and safety function
- ✓ Visual contrast
- ✓ Fast and easy to install
- ✓ Compatible with the dani alu Marchenet (stair treads) range and entire range of dani alu balustrading systems

# The accessories

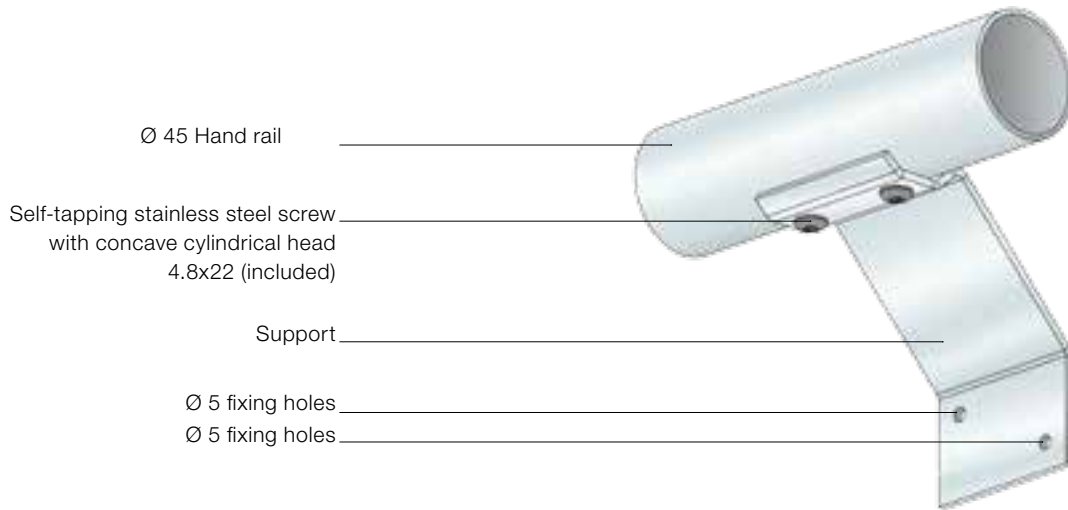


The hand rails are delivered in 3 m lengths to be cut on site, and are connected together using connectors. The unit is continuous with a constant handrail radius. The supports fixed to the hand rail provide discrete fixing to the wall. The ends are easy to identify both visually and to the touch and angled finish for safety.

## Cross section view of a hand rail on a support



## Detail of the hand rail on a support



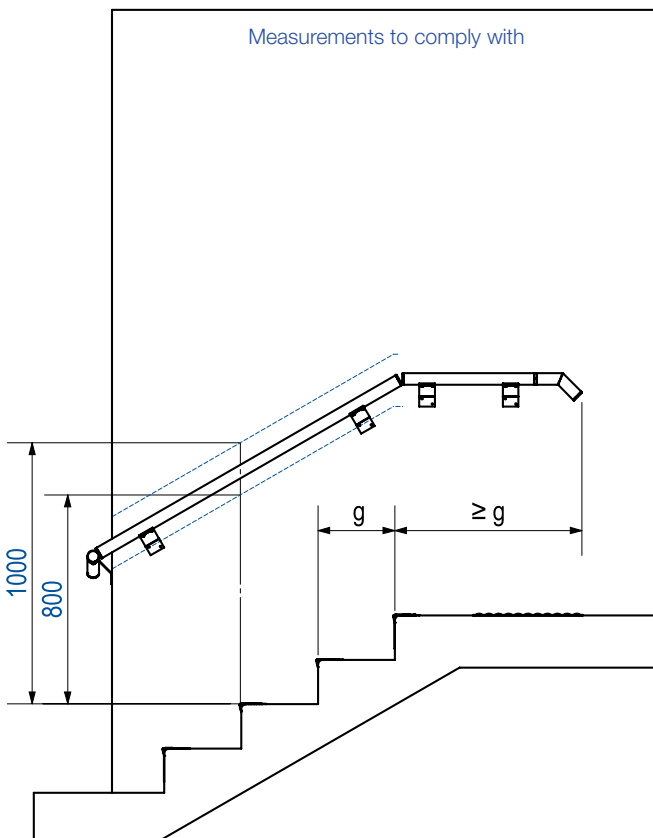
## Finish

Danilac powder coated aluminium, choice of RAL colours.

Aluminium PPC, cleaning and care information available on [www.danialu.com](http://www.danialu.com) or using this **QR code**.



## Field of use



The hand rail on supports can be combined with the Marchenet product line (step treads, visually contrasting riser band, pedotactile plate) and the Panorama, Lotentic and Barnet guard rail product line for accessible flat roofs.

Find these products on the web site [www.danialu.com](http://www.danialu.com)

# Marchenet®

Purchase     Price request

(Tick the required option)  
Please provide the following information.

Company stamp

Date: .....

Company (address /company stamp): .....

Contact: Mrs/Mr. ....

Phone number: ..... Fax: .....

Mobile phone: ..... Email: .....


**Type of project**     new build     refurbishment    **Site reference:** .....

**Project phase**     design     contract    .....


**Delivery address** .....


**Finish**    Danilac PPC aluminium Ral colour: .....

**Quantities**    Hand rail (delivered in 3 m lengths) ..... ml

 Angles ..... u

 End caps ..... u

 Supports ..... u

 Connectors ..... u



Patented system.  
Registered trademark and models.  
Modifications reserved.  
The examples of use are given  
for information purposes. All the  
measurements in the catalogue are given  
in mm.

**dani alu France**  
Phone: 0033 478 878 973  
E-mail: export@danialu.com  
www.danialu.com

**dani alu Germany**  
Phone: 0049 6021 453 020  
E-mail: post@danialu.de  
www.danialu.de

**dani alu Austria**  
Phone: 0043 650 6500 000  
E-mail: post@danialu.at  
www.danialu.info

**dani alu United Kingdom**  
Phone: +44(0) 1865 59160  
E-mail: contact@danialu.co.uk  
www.danialu.com