



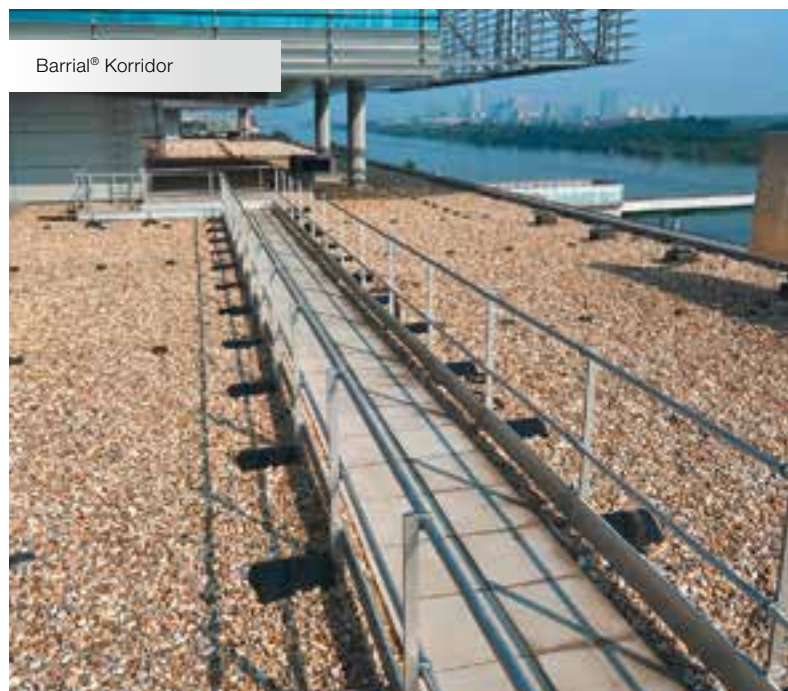
Barrial®

Aluminium collective safety railings
Certified for all flat roof applications

Barrial® free standing



Barrial® Korridor



Barrial® Metal roof



Barrial® Continuous rooflight



Collective protection is not expensive



- ✓ **Functional**
Practical design : lightweight and visually superior
- ✓ **Economical**
Consequential cost consideration and long-term cost minimisation
- ✓ **Sustainable**
10-year guarantee on the system
- ✓ **Installation-friendly**
Simply, quickly and safely set up
- ✓ **Low-maintenance**
Visual inspection sufficient
- ✓ **Available at any time**
Collective protection, 24-7

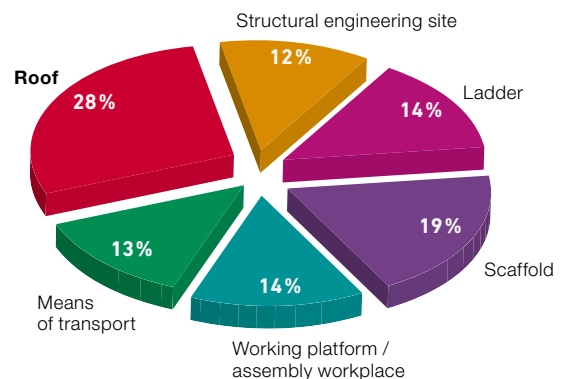
Safety on a flat roof

Flat roof surfaces are increasingly being used as utility areas. Examples: technical equipment, air-conditioning, lightning protection and solar installations as well as flat rooftop gardens.

This results in creation of rooftop work areas owing to the regularly required maintenance, repair, servicing and snow clearing tasks.

It is therefore essential to comply with requirements under occupational health and safety law. In order to prevent accidents involving falls, state-of-the-art permanent collective protective measures definitely take legal precedence over individual protective solutions.

approx. 35% of all fatal occupational accidents = falls

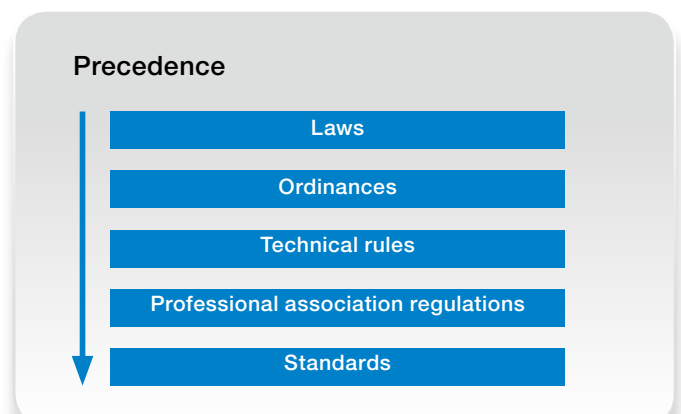


Statutory regulations and standards

Only inadequate account is often taken in practice of the liability and responsibility of operators of structural works in terms of occupational protection and safety, or even not at all. Infringements against the Occupational Health and Safety Act and other accident prevention regulations may, in the event of damage, have consequences under criminal law.

There is a wealth of legal regulations and ordinances that govern safety on buildings and industrial plants.

Competence and responsibility for safety facilities are not only incumbent on the planning and executing companies. Above all principals and operators of installations are held liable in matters relating to safety.



Conception and multidisciplinary coordination, also during major projects



- ✓ Initial projecting and analysis
- ✓ Support in hazard assessment
- ✓ Project-oriented solution concepts
- ✓ Customised target and budget planning
- ✓ Assessment of investment and consequential costs
- ✓ Cooperation with external experts
- ✓ Performance review and concluding report
- ✓ Uniform safety and quality standards

System solutions from dani alu comply with the current regulations, standards and technical rules

Tested and certified

In order to ensure the greatest possible safety, we have tested all Barrial side protection systems taking account of the respective higher requirement in these standards:

- EN ISO 14122-3**
- EN 13374 Klasse A**
- DIN 14094-2**

International tests

We work together with the leading test institutes in the respective countries:



10 years of dani alu system guarantee

dani alu grants a 10-year guarantee period on the Barrial® brand railing systems. The latter applies based on use of the product as intended in addition to proper assembly and regular visual inspection of the components, their connections and fixings by qualified personnel.

The counterweights of the free standing railing variants are made of 100% recycled plastic. The material is particularly UV- and heat-resistant between -30 °C to 105 °C. Compatibility with common commercially available sealing membranes exists.



Barrial free-standing standard

Practical, elegant and economical



- ✓ Penetration-free
- ✓ Free of thermal bridges
- ✓ No sound transmission
- ✓ No issues related to warranty law
- ✓ Rapidly assembled by means of a modular system
- ✓ Functional design



Plant perimeter guarding

The fixed railing systems made of aluminium guarantees safety during maintenance and servicing work on non-publicly used flat roofs.



Roof edge protection

Barrial free-standing fulfils all legal requirements for permanent and collective protection against falls.



Practical combi shoe (2.0)

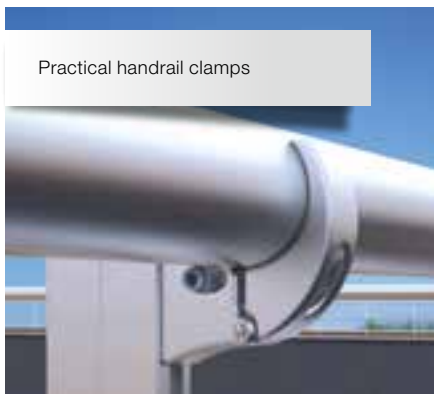
- Connection of stanchion and base rail by simply push-fitting
- Fixing by means of an integrated clamping jaw using only a single screw
- Particularly space-saving during transport
- Non-slip protective cap on the underside
- Height adjustment of the railing stanchion possible by up to 30 mm
- Profiled rib for simple installation of the toe board with a fix connector

Barrial free-standing premium

Adjustable in height, high quality, ergonomic



- ✓ Height adjustment up to 300 mm
- ✓ Folding option
- ✓ Use also without a parapet
- ✓ Without penetration of the roof membranes
- ✓ Functional design, high level of pre-fabrication
- ✓ Single-part (25 kg) or two-part (2x 12.5 kg) weights



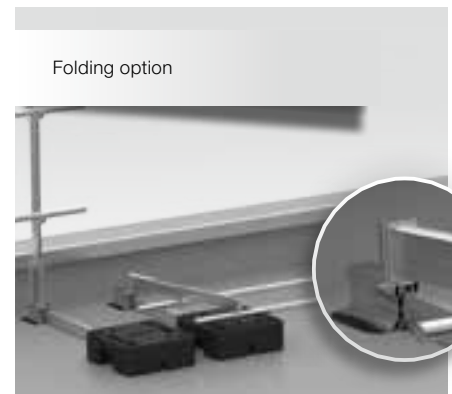
Practical handrail clamps

- Open / close with a single tool
- Pre-assembled at the factory
- Easy alignment



Counterweights

- 100 % recycled plastic
- 10-year guarantee
- Ergonomically and space-saving

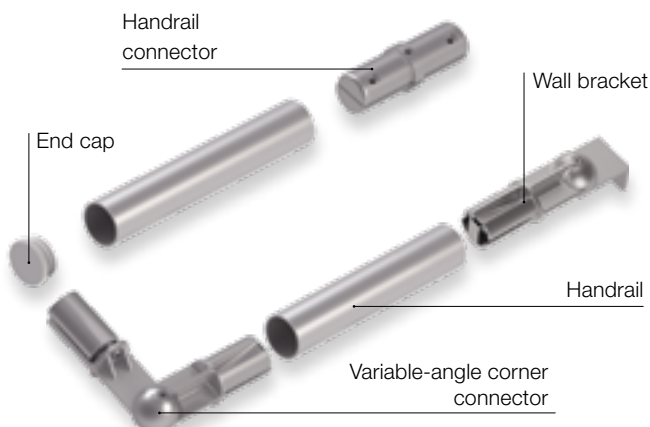


Folding option

- Practical folding mechanism
- For architectural requirements
- Segment lengths of up to 6 m

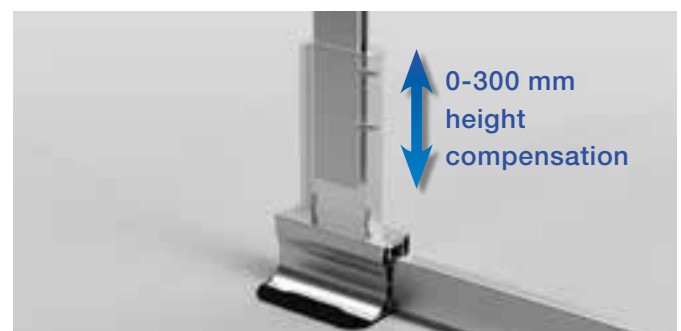
Practical accessories

- Connecting components such as handrail connectors, corner connectors and wall brackets with expansion mechanism
- Rapid installation without drilling or riveting
- Connection to fixed ladders possible by means of wall brackets.



Multi-connector with level compensation function

- Compensation of height differences of between 0 and 300 mm possible (larger collar heights on request)
- Variable positioning on the cantilever rail possible in order to optimise stability
- Receiving rib for simple installation of the foot rail with a quick connector



Barrial fixed

For specific installation areas



- ✓ Variants for inside, top or outside of parapet
- ✓ Fixing to the façade
- ✓ System solutions deck roof areas
- ✓ Rapidly assembled via modular construction
- ✓ Perfect integration on to the parapet
- ✓ Many design and option to choose



Stanchion options

Straight stanchion

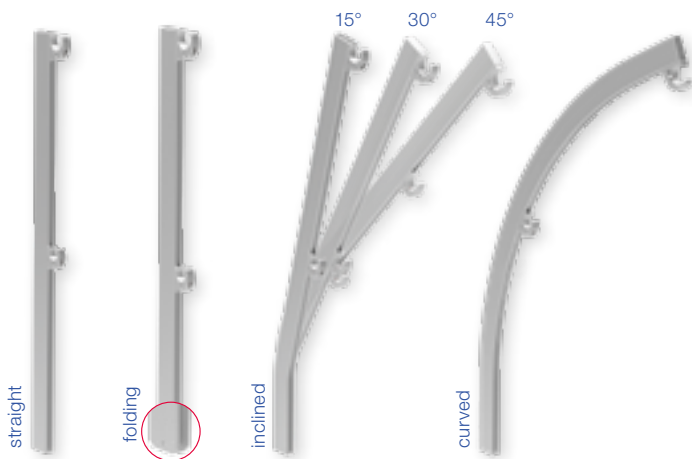
Compatible with all shoe designs of the Barrial fixed and Barrial free-standing railings.

Folding stanchion

The folding stanchion option is used when a permanently visible guardrail cannot be used on technical grounds, or for reasons of appearance.

Curved or inclined stanchion

Owing to the curved (radius 1000 mm) or inclination, the system blends discreetly into the building architecture and appearance of the façade. The inwards inclination ensures an additional safety distance from the edge of the roof.



Barrial fixed

For thermally insulated roof build



- ✓ Safe installation in complex roof build
- ✓ Solutions for thermally insulated roofs decks
- ✓ Spacer brackets adjustable in height and depth
- ✓ Components pre-assembled at the factory
- ✓ Installation-friendly modular construction
- ✓ Complete system with precisely fitting coping



Integration with precisely fitting sleeve gaskets



Variable bridging of insulating material thicknesses

A system that is right every time!

Particular technical and visual requirements result depending on the property, chosen installation area and specific requirements arising from the different layer build-ups of the roof complexes.

The simple installation of the modular and mutually compatible system components in addition to the versatile adjustability for line and level set Barrial apart from all others.

Detailed descriptions and further solutions are to be found
in our product catalogues.

Barrial Korridor

Escape, rescue and maintenance access routes



- ✓ Height adjustment up to 300 mm
- ✓ Ballasted, without penetration of the roof membrane
- ✓ Modular system for variable walkway widths
- ✓ Patented rail clamp, no pre-drilling
- ✓ Compliant with regulations, tested and certified
- ✓ Customised productions for schools and kindergartens



Maintenance access route – railing on one side

Safe guidance over flat roofs for servicing and maintenance work on technical installations.



Escape, rescue route – railing on both sides

Urgent action is necessary in the event of a fire or emergency. Barrial Korridor allows creation of escape routes that are efficient and economical.

Guidance in determining the standard to be executed

Maintenance access route

- Execution according to standard EN ISO 14122-3
- Stanchion distance max. 1500 mm
- No minimum width required
- Ballast at least 100 kg/m²

Escape and rescue route

- Execution according to standard 14094-2
- Stanchion distance max. 1500 mm
- Rail load max. 300 N/m
- Walkway width at least 800 mm
- No steps allowed
- Ballast at least 100 kg/m²

Assembly point

- Execution according to standard 14094-2
- Stanchion distance max. 1200 mm
- Rail load max. 500 N/m
- Ballast at least 120 kg/m²

Please send for your detailed checklists if interested enabling dani alu to recommend the most suitable compliant solution for your access needs.

Barrial rooflight protection

Modular, versatile, penetration-free



- ✓ Retrofit at any time for lasting protection
- ✓ Ballasted without roof penetration
- ✓ Rapidly assembled owing to high level of pre-fabrication
- ✓ Height adjustment of the stanchions in the multi-shoe (3-0)
- ✓ Variable widths and designs
- ✓ Highly simplified rescue concept



Continuous roof light protection



Fall-through protection grid

Total railing systems - Total safety.
To be fixed directly to the upstand depending on the substructure.

Protection against falling for persons or objects. Particularly suitable for retrofits.

The perfect collective system for skylights



Rigid rooflight dome

Standard railing for rooflight domes with a skylight function.



Ventilated rooflight dome / smoke-heat extractor

Options in variable sizes with sufficient free space for fold-open rooflight domes and smoke-heat extractors.



Rooflight dome with roof access

Option with self-closing gate for securing rooflight domes with an exit function.

Individual systems for flat roof safety

Barrial with step-over point



- ✓ Ideal for retrofitting
- ✓ Dispenses with cable systems on the roof surface
- ✓ Made-to-measure production
- ✓ Modular assembly kits

Lateral protection for connection to a fixed ladder

Barrial with fixed ladder



- ✓ Coordinated components
- ✓ Flexible combinations, versatile systems
- ✓ Connection to flat roof lateral protection systems
- ✓ Rapid delivery times

Railing systems for temporary use

Barrial temporary kit



- ✓ Rapid assembly and disassembly
- ✓ Temporary use at sources of hazard
- ✓ Easy dismantling of the weights
- ✓ 3 m kits with low dead weight

Support systems for a flat roof



- ✓ Penetration-free installation
- ✓ No thermal bridges
- ✓ Technical building equipment above the roof level
- ✓ Vibration-proof

Visual demarcation of working areas and sources of hazard



- ✓ Clear indication of hazardous areas
- ✓ Penetration-free, rapid assembly and disassembly
- ✓ Several rows of chains possible
- ✓ Pre-installed chain carabiner

Balustrading systems for private / public areas



- ✓ High load assumption, easy retrofitting
- ✓ Wide range of centre panels and colour schemes
- ✓ Modular construction systems
- ✓ Fixed or free-standing options

An impressive service

Comprehensive, competent support from planning to the execution stage - dani alu accompanies you in all phases of your project:

- Safety analysis
- Clarification of technical details
- Proposal of appropriate solutions
- Site assistance
- Made-to-measure delivery with layout plan
- Technical support during assembly
- Installation instructions
- In-house training courses



Wide variety of colours

The railing system is very slender in appearance and blends perfectly into the building architecture, particularly when blended to the individual building colour scheme (a choice of 250 RAL colours).



DIN EN 1090
REG.-NR. 0116147

Manufacturer's certification according to EN 1090-1

Our in-house production control guarantees consistent quality and compliance of our products with standards or static proof.



Documents

Catalogues, order forms, technical datasheets, installation instructions, tender specifications, checklists and information about the topic of roof edge protection and balustrading can be found on our website.

Advantages of our aluminium railing systems



- ✓ Easy to care for and maintenance-free
- ✓ Individual design possibilities
- ✓ Powder coating in a wide selection of colours
- ✓ Lightweight material, 100% recyclable
- ✓ Corrosion-proof and weather-resistant
- ✓ High level of pre-fabrication of the railing components

dani alu France

Phone: +33 4 78 19 81 41
export@danielu.fr
www.danielu.fr

dani alu Germany

Phone: +49 6021 453 020
post@danielu.de
www.danielu.de

dani alu United Kingdom

Phone: +44 1865 59160
contact@danielu.co.uk
www.danielu.co.uk

dani alu Sweden

Phone: +46 72 555 08 09
info@danielu.se
www.danielu.se