



## WALLBARN FIXED HEIGHT SUPPORTS for paving and decking

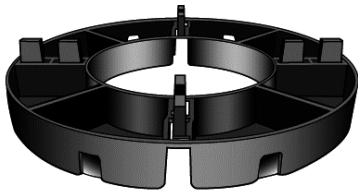
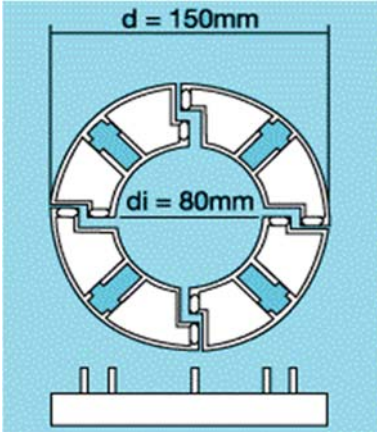
### WEIGHT TOLERANCE & TEST DATASHEET

**Description:** Fixed supports made from HDPE designed to raise paving slabs or timber joists off the deck, allowing the roof to be ventilated and leave easy access for inspection.

**Design:** They are ring shaped and have a smooth, flat base which comes into contact with the deck and bearing bars on the hollow inside to provide strength and weight bearing. There are four positioning lugs to provide a straight paving line or to place a joist between.

**Characteristics:** Each support is a single piece which is easily divided into four parts where particular shapes are required. Quadrants and semi circles can be created. A timber joist can be inserted between the four lugs in the centre of the pad to support timber deck boards.

**Technical data:** The HDPE supports can withstand a temperature range from -40 °C to +75 °C. This material is particularly resistant to sudden temperature changes; it resists acids, alkalines and atmospheric agents.

<b>Material</b>	HDPE		
<b>Height</b>	14mm 17mm		
<b>Shims Available</b>	1mm 2mm 3mm		
<b>Outer Diameter</b>	150mm		
<b>Inner Diameter</b>	80mm		
<b>Lug Width</b>	4mm		
<b>Lug Height</b>	10mm		
<b>Weight tolerance</b>		1,000kg	
<b>Melt Flow rate</b>		14-16 Gr / 10'	ASTM D 238
<b>Weight / density</b>		0.99-1.04 Gr / cm <sup>3</sup>	ASTM D 792 Method A
<b>Softening point with load of 5kg (VICAT test)</b>		> 75 °C	ASTM D 1525
<b>Minimum temperature tolerance</b>		-40 °C	
<b>Heat Deflection Test with load of 1820 kPa</b>		> 90 °C	ASTM D 648
<b>Coefficient of elasticity</b>		1600 Mpa	ASTM D 790
<b>Impact resistance (Izod test - at 23°C)</b>		>40 J/m	ASTM D 256
<b>Impact resistance (Izod test - at minus 20°C)</b>		>20 J/m	ASTM D 256
<b>Fire rating</b>		EUROCLASS E	EN 13501-1:2009

Special CLASS B1 (EN 13501-1:2009) can be manufactured upon request.

#### Wallbarn Ltd.

Unit 16 Capital Business Centre, 22 Carlton Road, South Croydon,  
Surrey CR2 0BS United Kingdom -- Tel: +44 (0)208 916 2222 Fax: +44 (0)208 916 2223  
Email: sales@wallbarn.com Web: www.wallbarn.com