

TOPCRETE

FOUNDATION

Robust, durable, dense aggregate blocks



TOPCRETE

FOUNDATION

TOPCRETE is a range of dense aggregate blocks available in a variety of formats and suited to a number of high loadbearing applications. TOPCRETE FOUNDATION blocks are produced specifically for use below DPC.

INCREASED PRODUCTIVITY

Replaces the inner and outer leaf, wall ties and concrete cavity fill associated with traditional methods and halves construction time.

EASY TO HANDLE

Each block has recessed grooves to ease handling and a 140mm bed height with a lower density than Topcrete Standard to reduce the block weight.

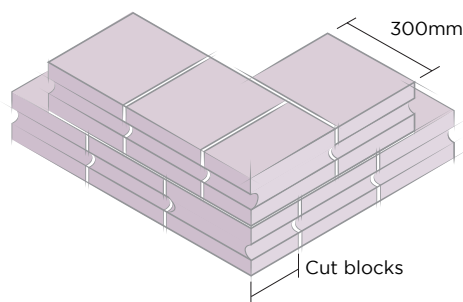
FIRE

All Topcrete products conform to a fire rating of Class A1 to BS EN 13501.

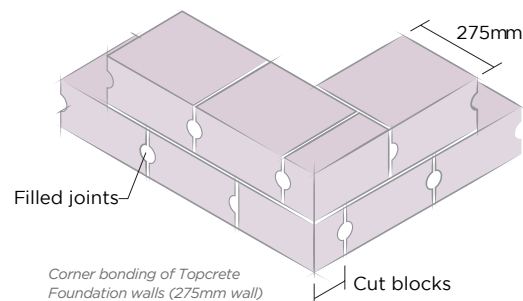
PRODUCT PROPERTIES

PRODUCT	COMPRESSIVE STRENGTH N/mm ² *	BLOCK THICKNESS mm	FACE SIZES, mm LENGTH X HEIGHT	THERMAL CONDUCTIVITY λ (W/mK)	DRY DENSITY kg/m ³	SULPHATE SOIL CONDITIONS	UNIT WEIGHT kg**	LAI D WEIGHT kg/m ² **	NUMBER OF BLOCKS PER m ² OF WALL	NUMBER OF BLOCKS PACK
TOPCRETE FOUNDATION	7.3	275	300 x 140	0.78 ⁽¹⁾	1600	DS1, DS2, DS3	18.8	453	21.5	72
	7.3	300	275 x 140	0.78 ⁽¹⁾	1600	DS1, DS2, DS3	18.8	494	23.4	72

*Manufactured to Category 2 manufacturing control. **Unit and laid weights, which are given for design purposes, are approximate and calculated based on the specified dry density with a moisture content of 3% by weight added to provide equilibrium weights. (1) - The below ground thermal conductivity value will change dependent upon moisture content.



Corner bonding of Topcrete Foundation walls (300mm wall)



Corner bonding of Topcrete Foundation walls (275mm wall)

To find out more about our range of BLOCKS and the best solution for your project call **0345 606 2468**
Check out our U-value Calculator www.tarmac.com/u-value-calculator

TARMAC.COM