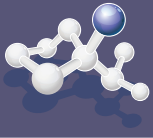


ELECTRIC STRIKES

Better design. Better engineering. Better materials. That's the simple formula that makes electric strikes from ABLOY® the optimum choice for access control systems.



Uniclass L418184
CI/SfB (31.59) Xt7

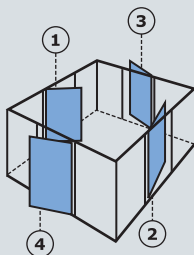
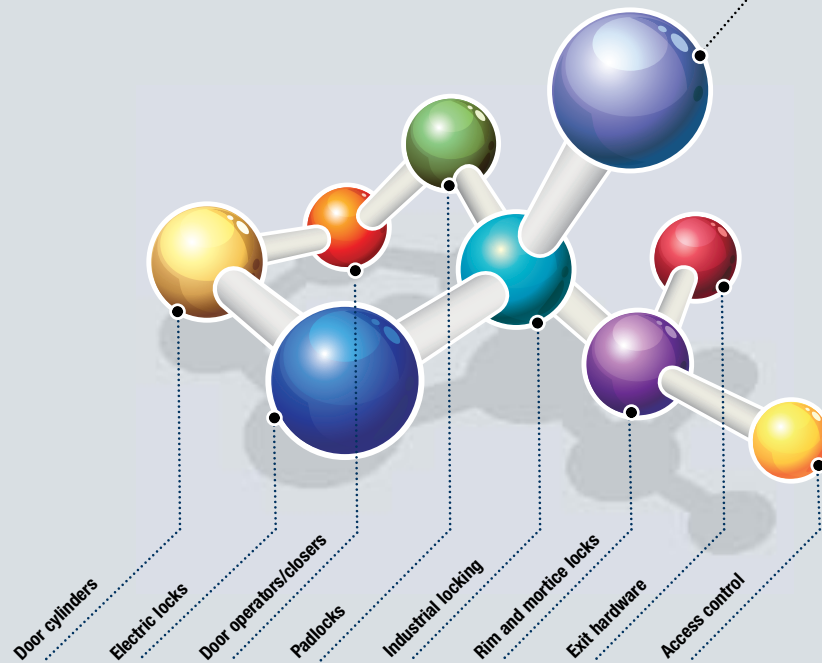
VERSION: AUGUST-11

Integrated door control solutions... it's in our DNA

Abloy UK are a leading provider of electric strikes in the UK and Ireland and we are pleased to welcome you to this catalogue of our products.

Strikes form just part of our total service, with a wide range of products and capabilities that integrate perfectly - like our molecular diagram below - to provide a complete door security and functionality solution. There is a catalogue for every category below and you can find our products online at www.abloy.co.uk.

To gain advice or expertise with planning, specification and implementation of any door solution, call us on +44 (0)1902 364500.



ABLOY® handing

The correct hand of a door can be selected using this diagram. Standing inside the box looking out, choose your door hand from 1 to 4, determined by the hinge side and if the door opens inwards or outwards.

Strike handing



DIN left hand
EffEff hand 4
Abloy hand 1
and 3



DIN right hand
EffEff hand 5
Abloy hand 2
and 4

High quality effeff strikes



a simple, effective access control solution

The world renowned effeff electric strike range provides the very best in high security strike technology for use with access control systems of all kinds – and with a wide range there is almost certainly an effeff strike for any project.

Unsurpassed holding force, superior build quality and resistance to attack make effeff strikes the natural choice for internal and external doors.

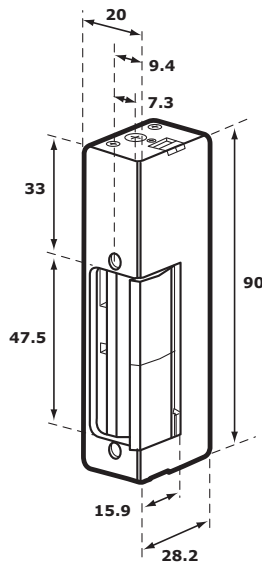
For use on standard doors

▼
14 Series
Fail locked

▼
34 Series
Fail unlocked

Features

- A universal strike in a solid design
- Suitable for all commonly used striking plates
- Can be mounted DIN right or left by turning 180°
- Monitoring is optional
- Suitable for timber, steel and aluminium frames
- Strike plate included



SECURITY RATING: MEDIUM

14 SERIES FEATURES	FAIL LOCKED	FAIL UNLOCKED	MONITORING	8-16V AC/DC	12V DC	24V DC
GREY FINISH						
14----26302R11	•			•		
14----26302E31	•				•	
14----26302F31	•					•
14RR--26302R11	•		•	•		
14RR--26302E31	•		•		•	
14RR--26302F31	•		•			•

34 SERIES FEATURES	FAIL LOCKED	FAIL UNLOCKED	MONITORING	8-16V AC/DC	12V DC	24V DC
GREY FINISH						
34----26302E91	•				•	
34----26302F91	•					•
34RR--26302E91	•	•			•	
34RR--26302F91	•	•				•

14/34 TECHNICAL DATA	
Standard break-in resistance	6,500N (14 Series) 5,500N (34 Series)
Material 1 Standard housing Keep	Die cast zinc Steel
Material 2 Housing Keep	Die cast zinc Die cast zinc/brass
Operating temperature range	-15° to +40°C
Handing reversible	Yes

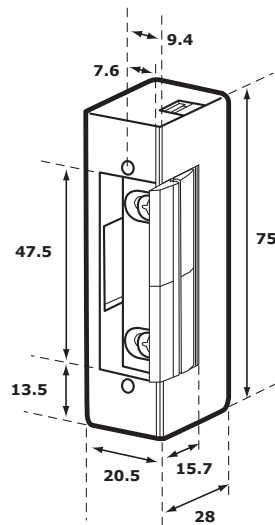
For use on UPVC doors

▼
17 Series
Fail locked

▼
37 Series
Fail unlocked

Features

- A universal strike standard with Fafix (FF) adjustment, see page 11
- 6mm striking plate for UPVC doors



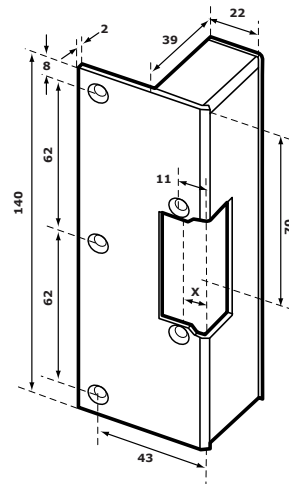
Rim mounted use

▼
ISC
Rim housing
Rim inward opening

▼
ISCO
Rim housing
Rim outward opening

The solution for installation situations where technical difficulties or legal regulations prevent flush mounting of electric strikes.

These are suitable for use with 14, 17, 34 and 37 Series strikes.



SECURITY RATING: NORMAL

17 SERIES FEATURES	FAIL LOCKED	FAIL UNLOCKED	MONITORING	8-16V AC/DC	12V DC	24V DC	HANDING
17----35440R14	•			•			L
17----35440R15	•			•			R
17----35440E44	•				•		L
17----35440E45	•				•		R
17RR---35440R14	•		•	•			L
17RR---35440R15	•		•	•			R
17RR---35440E44	•		•		•		L
17RR---35440E45	•		•		•		R

37 SERIES FEATURES	FAIL LOCKED	FAIL UNLOCKED	MONITORING	8-16V AC/DC	12V DC	24V DC	HANDING
37----35440E94	•				•		L
37----35440E95	•				•		R
37RR---35440E94	•	•			•		L
37RR---35440E95	•	•			•		R

For handing, on a door opening away from you right or left

17/37 TECHNICAL DATA

Standard break-in resistance	3,500N
Material	Die-cast zinc
Standard housing	Die-cast zinc
Keep	Die-cast zinc
Surface-M attachment Fafix	Brass
Operating temperature range	-15° to +40°C
Handing	Left or right, to be specified
Finish	Zinc

131 Series

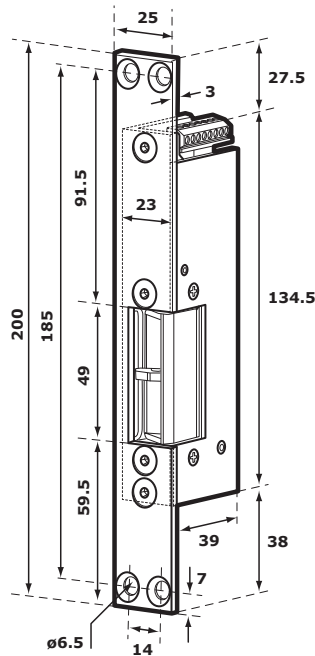
Fail locked

331 Series

Fail unlocked

Features

- Fail unlocked model designed for locking doors in escape routes
- Reliable unlocking under pre side load, max 5,000N (331 Series)
- Suitable for primarily timber or steel frames
- Strike plate included



SECURITY RATING: HIGH

131 SERIES FEATURES	FAIL LOCKED	FAIL UNLOCKED	MONITORING	8-16V AC/DC	12V DC	24V DC	HANDING
GREY FINISH							
131----11602E34	•				•		L
131----11602E35	•				•		R
131----11602F34	•					•	L
131----11602F35	•					•	R
131RR--11602E34	•	•			•		L
131RR--11602E35	•	•			•		R
131RR--11602F34	•	•				•	L
131RR--11602F35	•	•				•	R

331 SERIES FEATURES	FAIL LOCKED	FAIL UNLOCKED	MONITORING	8-16V AC/DC	12V DC	24V DC	HANDING
331U--11602E94	•				•		L
331U--11602E95	•				•		R
331U--11602F94	•					•	L
331U--11602F95	•					•	R
331UR--11602E94	•	•			•		L
331UR--11602E95	•	•			•		R
331UR--11602F94	•	•				•	L
331UR--11602F95	•	•				•	R

For handing, on a door opening away from you right or left

TECHNICAL DATA	131 SERIES	331 SERIES
Standard break-in resistance	15,000N	7,500N
Fafix break-in resistance	10,000N	5,000N
Operating temperature range	-15° to +40°C	-15° to +40°C
Release under side load pressure	1,000N	5,000N
Handing	Left or right to be specified	Left or right to be specified
Finish	Grey	Grey

76 Series

76-17 Fail locked
76-37 Fail unlocked
 Select short or long plate

Features

- Designed with adjustable keeper for simplified installation
- Fail locked and unlocked versions
- Suitable for wood and aluminium frames
- 6,500N break-in resistance

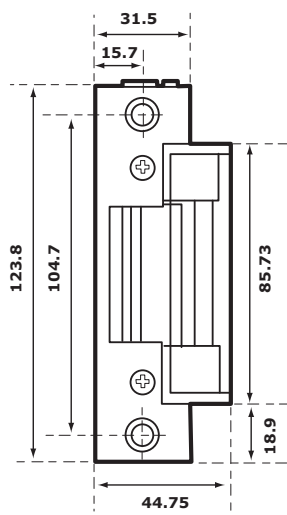
76-54U Penta

Fail locked/unlocked
 Select short or long plate
 Dual function

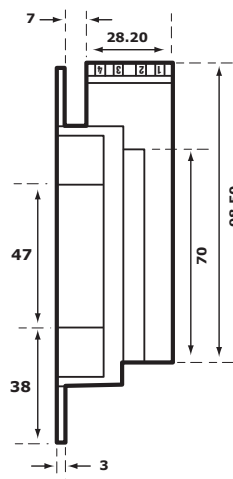
Features

- Optional latch monitoring
- Quick change from fail locked to fail unlocked
- Dual voltage 12-24V AC/DC
- Fully reversible

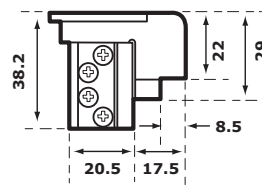
- Factory tested to meet UL1034 for burglary resistance Grade 1
- Suitable for wood and aluminium frames



76 Series and 76-54U Penta
 Short plate illustrated



76-54U Penta



76 SERIES SECURITY RATING: HIGH
 PENTA SECURITY RATING: MEDIUM

76 SERIES FEATURES	FAIL LOCKED	FAIL UNLOCKED	MONITORING	8-16V AC/DC	12V DC	24V DC
76-54U---***35Q41	•	•			•	•
76-17---***35E41	•				•	
76-17---***35F41	•					•
76-37---***35E91		•			•	
76-37---***35F91		•				•

*** to select short faceplate, insert: 877; to select long faceplate, insert: 880

HIGH SECURITY MULTIFUNCTION RELEASES TECHNICAL DATA	
Standard break-in resistance	6,500N
Material 1	
Standard housing	Die-cast zinc
Keep	Steel
Material 2	
Housing	Die-cast zinc
Keep	Die-cast brass/brass
Operating temperature range	-15° to +40°C
Handing	Reversible
Finish	Stainless steel

15 Series

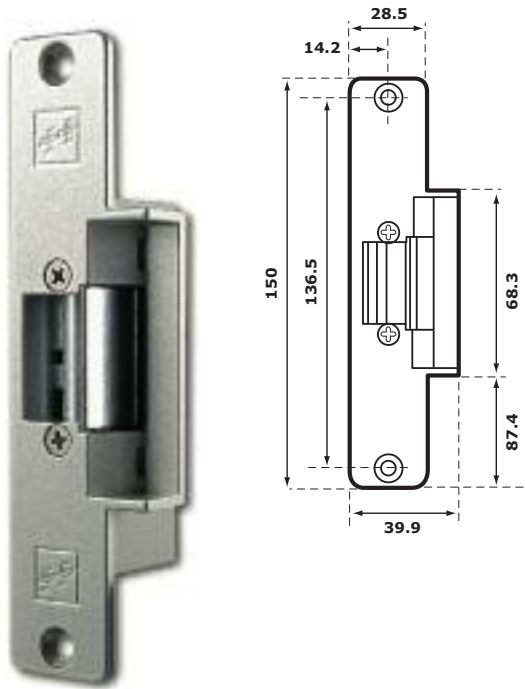
Fail locked

35 Series

Fail unlocked

Features

- Fully reversible for right or left hand doors
- Suitable for wood, metal or aluminium frames
- 6,000N break-in resistance



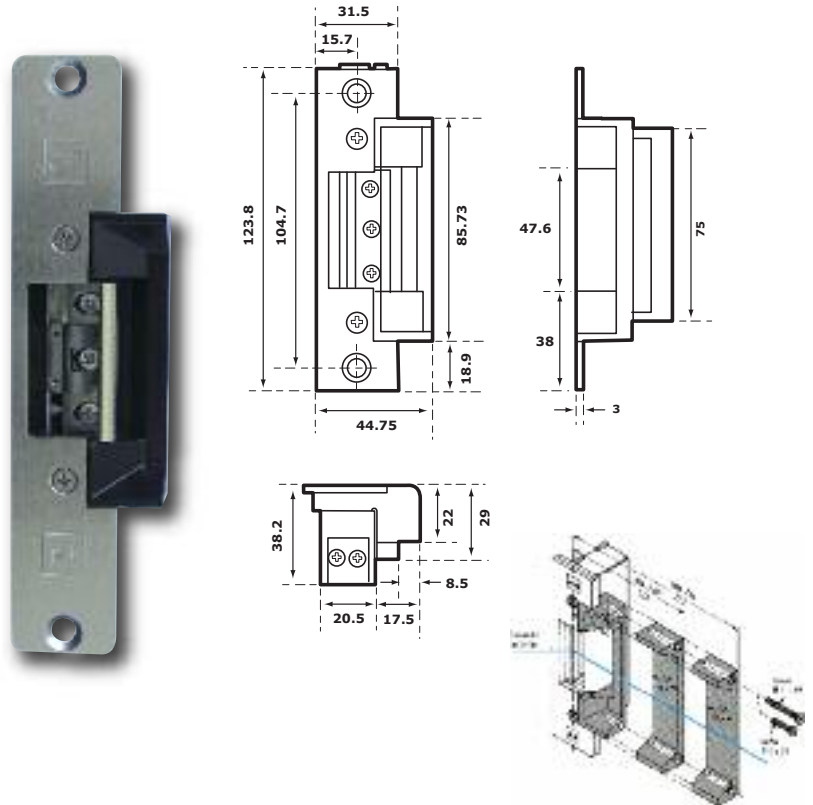
Short plate illustrated

75 Series

75-17 fail locked
75-317 fail unlocked
Select short or long plate

Features

- Fully reversible for right or left hand doors
- Adjustable keeper
- Suitable for wood, metal or aluminium frames
- Extension lips provided



15 SERIES FEATURES	FAIL LOCKED	FAIL UNLOCKED	MONITORING	8-16V AC/DC	12V DC	24V DC
--------------------	-------------	---------------	------------	-------------	--------	--------

15AV---37829R11	•			•		
15AV---37829E31	•				•	
15AV---37829F31	•					•

35 SERIES FEATURES	FAIL LOCKED	FAIL UNLOCKED	MONITORING	8-16V AC/DC	12V DC	24V DC
--------------------	-------------	---------------	------------	-------------	--------	--------

35AV---37829E91		•			•	
35AV---37829F91		•				•

15/35 SERIES TECHNICAL DATA

Standard break-in resistance	6,000N
Material	Die-cast zinc
Housing keep standard	Die-cast zinc
Operating temperature range	-15° to +40°C
Finish	Grey

75 SERIES FEATURES	FAIL LOCKED	FAIL UNLOCKED	MONITORING	8-16V AC/DC	12V DC	24V DC
--------------------	-------------	---------------	------------	-------------	--------	--------

75-17---***35R11	•			•		
75-17---***35E41	•				•	
75-17---***35F41	•					•
75-17RR***35E41	•		•		•	
75-17RR***35F41	•		•			•
75-37---***35E91		•			•	
75-37---***35F91		•				•
75-37RR***35E91	•	•			•	
75-37RR***35F91	•	•				•

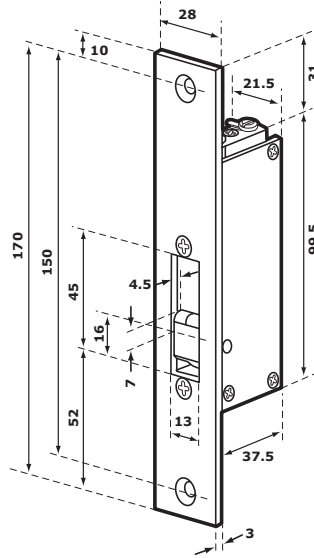
*** to select short faceplate, insert: 877;
to select long faceplate, insert: 879

▼ **112 Series**
Fail locked

▼ **312 Series**
Fail unlocked

Features

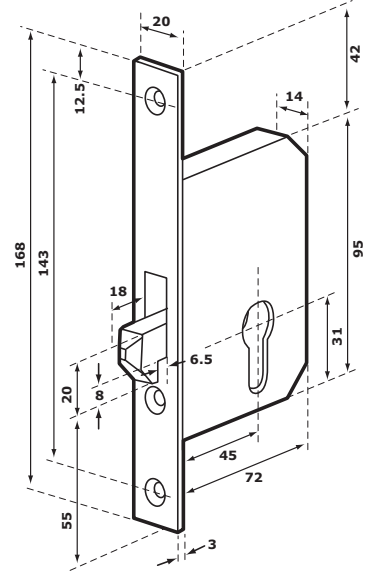
- Sliding door strike and the hook bolt are designed to be used together
- Sliding door strikes are water resistant, making them suitable for use in outdoor application
- Galvanised face plates



▼ **1112 Hook Bolt**

Features

- Mechanical locking device suitable for 112 and 312 series
- Euro profile cylinder override facility



112 SERIES FEATURES	FAIL LOCKED	FAIL UNLOCKED	MONITORING	8-16V AC/DC	12V DC	24V DC
112---11440E31	•				•	
112---11440F31	•					•

312 SERIES FEATURES	FAIL LOCKED	FAIL UNLOCKED	MONITORING	8-16V AC/DC	12V DC	24V DC
312---11440E91		•			•	
312---11440F91		•				•

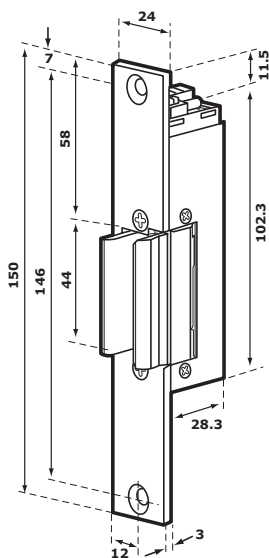
SLIDING DOOR STRIKES TECHNICAL DATA	
Standard break-in resistance	3,000N
Material	Die-cast zinc / brass
Housing keep standard	Die-cast zinc / brass
Operating temperature range	-15° to +40°C
Compatible lockcase	1112
Finish	Zinc

▼ **914U Series**
Fail locked

▼ **934U Series**
Fail unlocked

Features

- For tempered glass doors with wooden, aluminium or metal frames
- No preparation required to the glass
- Dual voltage 12-24V DC
- Fully reversible
- Thickness adjustable 9-12mm (13-15mm available to special order)



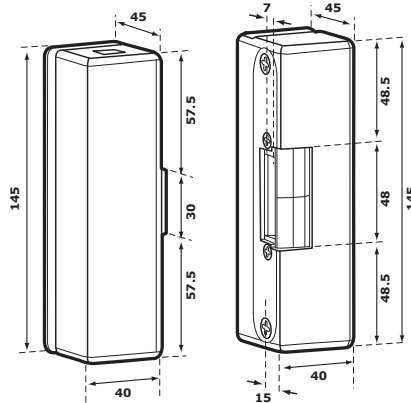
▼ **8037**
Easy installation on wood, metal and glass doors

Superior to a door magnet: small, strong and with lower power consumption

Features

- Fail unlocked and fail locked available
- Monitored function available
- Holding force 3,000 N / 670 lbs

- Easy installation
- Installation with L-bracket possible
- Installation on glass doors with additional adhesive panel and adhesive set (supplied separately)
- Narrow housing



914 SERIES FEATURES	FAIL LOCKED	FAIL UNLOCKED	MONITORING	8-16V AC/DC	12V DC	24V DC	THICKNESS (MM)
914U-0940335Q31	•				•	•	9-12
914U-1340335Q31	•				•	•	13-15
914UR0940335Q31	•	•			•	•	9-12
914UR1340335Q31	•	•			•	•	13-15

934 SERIES FEATURES	FAIL LOCKED	FAIL UNLOCKED	MONITORING	8-16V AC/DC	12V DC	24V DC	THICKNESS (MM)
934U-0940335Q91	•				•	•	9-12
934U-1340335Q91	•				•	•	13-15
934UR0940335Q91	•	•			•	•	9-12
934UR1340335Q91	•	•			•	•	13-15

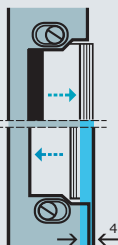
914/934 SERIES TECHNICAL DATA	
Standard break-in resistance	3,700N
Material	Die-cast zinc
Standard housing	Nickel-plated brass
Keep	
Operating temperature range	-15° to +40°C
Finish	Aluminium

8037 TECHNICAL DATA	
Locking mechanism holding force	3000 N (670 lbs)
Electric strike housing dimensions	150 x 40 x 30 mm
Latch bolt mating component dimensions	150 x 50 x 30 mm
FaFix regulating range horizontal	3 mm
Operating temperature range	-15 °C to +40 °C
Installation position	Vertical and horizontal
Material profile	Aluminium coated
Electric strike material	Die-cast zinc
Latch bolt mating component material	Die-cast zinc
Finish housing	Similar to RAL 9006 White aluminium

8037 ELECTRICAL DATA	12V DC	24V DC
Supply voltage	12V DC	24V DC
Rated current	240 mA	150 mA
Rated operational voltage range	+/- 10%	+/- 10%

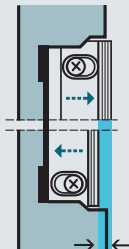
8037 SERIES FEATURES	FAIL UNLOCKED	MONITORING	12V DC	24VDC
8037-----91E91	•		•	
8037R----91E91	•	•	•	
8037-----91F91	•			•
8037R----91F91	•	•		•

Fix or Fafix?



Fix: Adjustable and fixable strikes

The ideal way to simplify mounting the strike.
 The screw holes in the striking plate are milled to an oval.
 After mounting, the strike housing can be moved horizontally by up to 4mm within this range, aligned to the latch bolt and fixed using the provided fixing grooves.
 Correction and reliable installation is possible, even where mounting conditions are most difficult.



Fafix: Strikes with adjustable and fixable keep

The ideal way to simplify keep adjustment.
 Simple installation, uncomplicated adjustment of the keep to the latchbolt after mounting.
 Compensation for expansion is possible using this method by readjusting the strike at any time.
 The adjustment facility also allows subsequent adjustment to the latch bolt, even where space is at a premium.

Make sure you order the product you need

This is how effeff coding works:

Every code must add up to 15 digits, for example 17RR---02135E41, which is broken down as per the table to the right.

When specifying your part number, please remember all the dashes within the code must be included.

17	RR---	021	35	E4	1
▲	▲	▲	▲	▲	▲
THE MODEL SERIES NO	FEATURE	STRIKING PLATE	FINISH	VOLTAGE	HAND
	RR = monitoring contact	106 = short flat plate	35 = stainless steel	E = 12V DC	1 = universal
	FF = Fafix		40 = zinc	F = 24V DC	5 = right hand
	05 = with recovery diode		02 = grey	R1 = 8-16V AC/DC	4 = left hand
			44 = Aluminium		

... and the right lockcase

LOCKCASE COMPATIBILITY	75 SERIES	76 SERIES	14/34 SERIES	17/37 SERIES	15/35 SERIES	131/331 SERIES	PROFIX
Lockcase							
Adams Rite (mortice) 4710, 4720, 4750	•	•					
ASSA (mortice) 3059, 3061, 3062, 8760, 8761, 8762, 8764	•	•					
Union (mortice) 3R35	•	•					
2332			•	•	•	•	
2C21			•	•	•	•	•
2C23	•	•	•	•	•	•	•
2C25	•	•			•		
ABLOY 4197 Series		•	•			•	



Profix II strikes overview

Profix II strikes from EffEff are quick and easy to install as well as ideal for deep door frames; either wood or metal.

A superior solution, these strikes remove the need for creating deep channels whilst retaining architectural aesthetics; with a clean finish and no cut-out in the edge of the frame.

Also, we offer a new way of specifying strikes as you can now order the faceplate and body separately – giving you more flexibility.

- Standard strike 118 (fail locked), 128 (holding pin - remains unlocked until opened) and 138 (fail unlocked)
- Fire rated 143 (30 and 60 minutes)
- Emergency exits 332



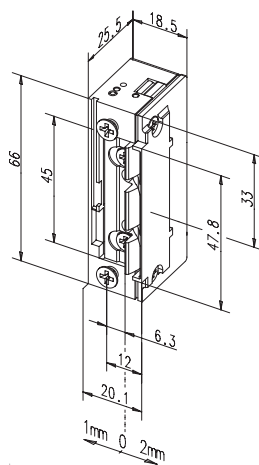
118.13

Fail locked

Features

- Smallest effeff strike size (66x 16x 25.5mm)
- Non handed
- 3mm fafix adjustment
- Fits most standard applications
- 10-24V AC/DC
- Select faceplate separately
- Part no:

118.13-----A71



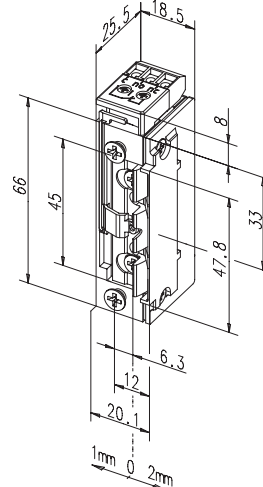
118.23

Fail locked monitoring

Features

- Monitoring
- Non handed
- 3mm fafix adjustment
- Fits most standard applications for access control
- 10-24V AC/DC
- Select faceplate separately
- Part no:

118.23-----A71



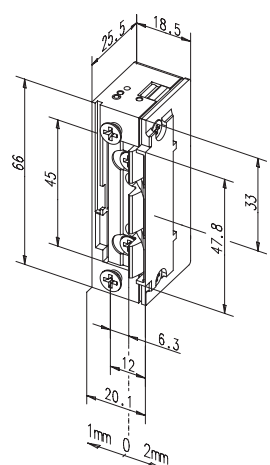
138.13

Fail unlocked

Features

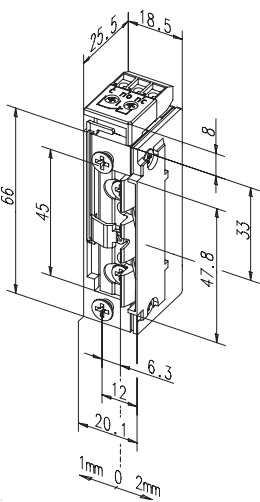
- Smallest effeff strike size (66 x 16x 25.5mm)
- Non handed
- 3mm fafix adjustment
- Fits most basic fail safe applications like interlocking
- 12 or 24V DC
- Select faceplate separately
- Part no:

138.13-----E91 (12VDC)
138.13-----F91 (24VDC)



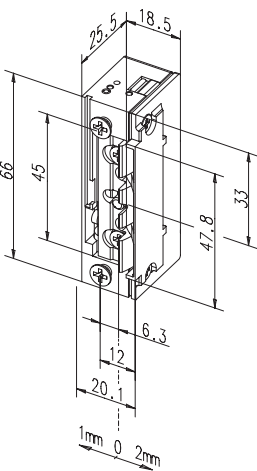
▼
138.23
Fail unlocked monitoring

- Features**
- Monitoring
 - Non handed
 - 3mm fafx adjustment
 - Fits most basic fail safe applications with access control
 - 12 or 24V DC
 - Select faceplate separately
 - Part no:
138.23-----E91 (12VDC)
138.23-----F91 (24VDC)



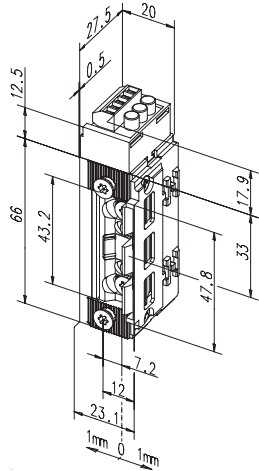
▼
128.13
Fail locked holding pin

- Features**
- Remains unlocked until opened
 - Holding function especially suited for intercoms
 - Smallest effeff strike size (66 x 16x 25.5mm)
 - Fail secure holding pin
 - Non handed
 - 3mm fafx adjustment
 - Suitable for intercomms
 - 10-24V AC/DC
 - Select faceplate separately
 - Part no:
128.13-----A71



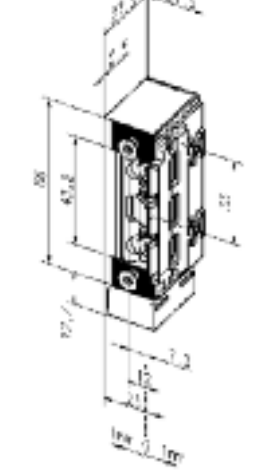
▼
143.13
Fail locked fire rated (30 and 60 minutes)

- Features**
- Certified fire rated
 - Integrated diode
 - Non handed, field changeable
 - Fire door applications
 - 12-24V DC
 - Select faceplate separately
 - Part no:
143..13-----Q14



▼
332.238
Fail unlocked emergency exit

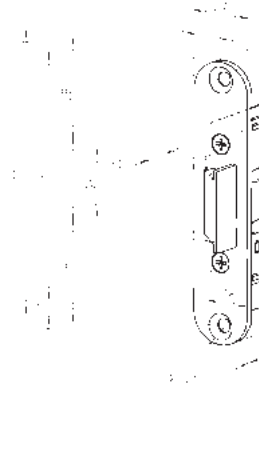
- Features**
- Monitoring, door status and lock status (electronically)
 - Releases under preload up to 3,000N
 - Certified for emergency exits
 - Integrated diode
 - Non handed
 - Alternative to 351U80 with 807-12, less noise
 - 12 or 24V DC
 - Select faceplate separately
 - Part no:
332.238-----E91 (12VDC)
332.238-----F91 (24VDC)



▼
807.12
Latch

Features

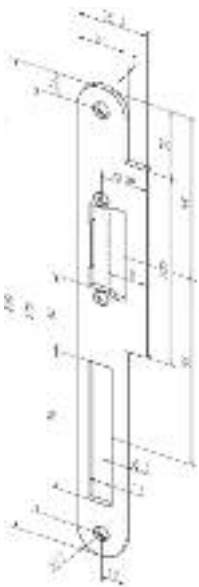
- Non-handed, adjustable



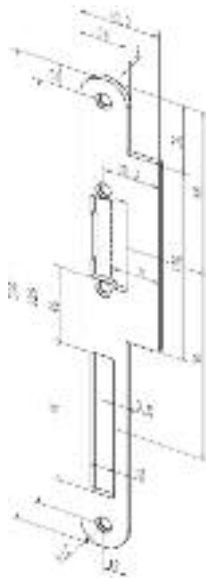
- Wooden frames 44mm and 54mm, with and without deadbolt cutout

- Steel frames, with and without deadbolt cutout

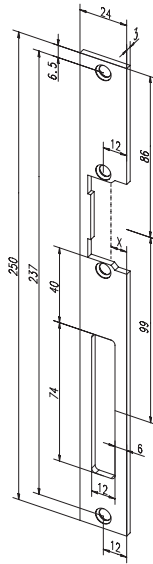
▼
-----**66B35-01**
44mm with deadbolt



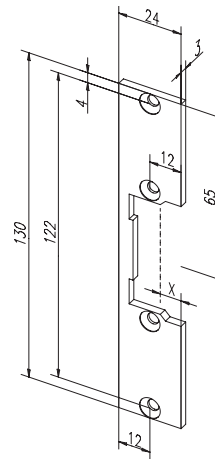
▼
-----**67B35-01**
54mm with deadbolt



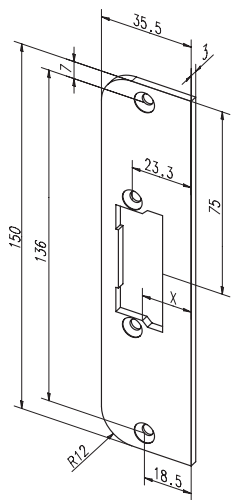
▼
-----**54A35-01**
With deadbolt



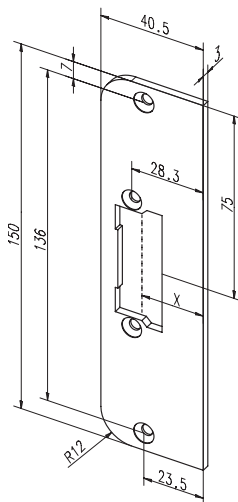
▼
-----**68935-01**
Without deadbolt



▼
-----**64B35-01**
44mm without deadbolt



▼
-----**65B35-01**
54mm without deadbolt

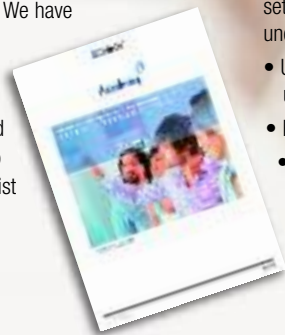




A state of the art learning resource for the security industry.

Training and understanding of ASSA ABLOY products and all aspects of door locking

Welcome to our Academy. We recognise that the high performance of our products can only be realised by the abilities of the people who install them. We have developed the ASSA ABLOY Academy to provide training of the highest standard, and the Academy brand is recognised as a mark of excellence and accreditation. This gives reassurance to clients of your competence and specialist product understanding.



Academy Foundations course

This covers the majority of standards applicable to door sets from hinges to door selectors in simple to understand chunks:

- Understand the needs of a door from its location and usage
- Recognise "Fire Doors"
- Understand escape risks and regulations, ensuring that we only specify compliant solutions

To receive our prospectus or to reserve your place on a course, simply call us on **+44 (0)1902 364500** email academy@abloy.co.uk or contact your Sales Account Manager.



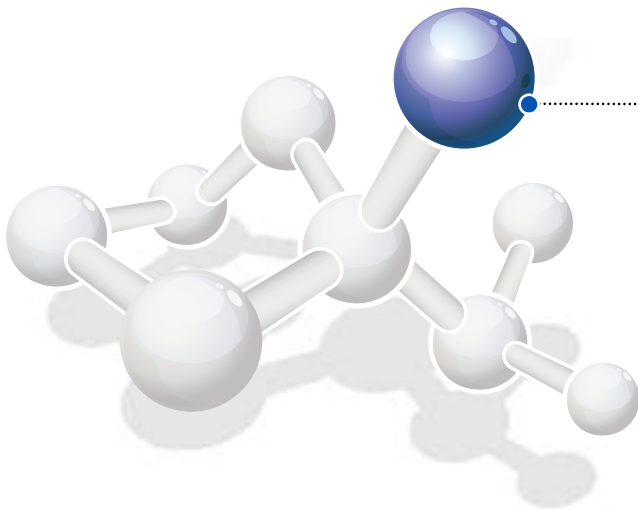
Abloy UK
School Street
Willenhall, West Midlands
WV13 3PW

Phone +44 (0)1902 364500
Fax +44 (0)1902 364501
Email sales@abloy.co.uk
www.abloy.co.uk

Direct line - Sales Office
0845 071 3844 (UK only)
Direct line - Customer Services
0845 071 3855 (UK only)
Calls charged at local network rates

From product supply through to planned and implemented door control solutions... it's in our DNA

We are the UK's leading experts on door locking and functionality. Our product range, including electric strikes, connects like the molecular diagram below, to form complete, secure, compliant and lasting solutions trusted by organisations around the UK and Ireland for whom compromise is not an option.



Product supply >

Simply order the products you need from our friendly and knowledgeable staff

Expertise >

Helpful advice when you need it from our door control specialists

Planning and specification >

For larger projects, call on us for full service assessment and planning of your needs, from fire exiting and compliance to master key strategies

Due to a continuous programme of development, Abloy UK reserves the right to make alterations without notice. For technical reasons connected with colour reproduction the colours shown may vary slightly from those of the product. All dimensions provided within this catalogue are approximate and for guidance only.

E. & O. E. For terms and conditions of sale, please refer to the current price list.

Abloy UK markets high quality products and accessories for security applications. Our customer base provides solutions to a broad spectrum of public and private organisations throughout the UK and Ireland.

