

# LANGFULTON



## Wheelie Bin Stores

t: 0131 441 1255

sales@langandfulton.co.uk

www.langandfulton.co.uk



With over 20 years experience, Lang+Fulton is a leading supplier of compounds and enclosures for wheelie bins throughout the UK.

Recent figures indicate that the quantity of UK domestic waste is increasing at a rate of about 3% per year. Local Authorities are addressing the problem with greater provision of wheelie bins and have issued the following guidelines for storage in external enclosures:

- durable construction
- well ventilated
- secure

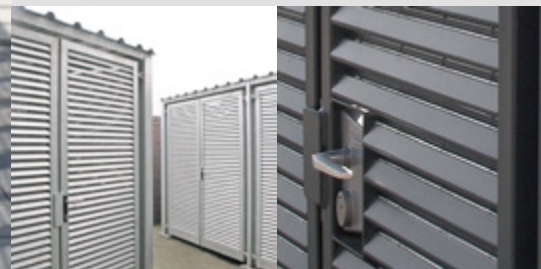
Lang+Fulton bin stores have a solid steel construction to withstand the wear and tear of regular bin collection.

With clean, simple lines our bin stores provide visual screening and security, as well as ventilation and natural daylight.



In addition to the Europa range of standard designs, we specialise in the design and supply of bespoke installations.

All of our bin stores are made from a practical system of modular steel louvered panels and doors with or without roofing. They are supplied with all accessories and a full set of drawings for easy installation.



Options:

- Panels from the Italia or Delta ranges of steel louvres or open mesh grating
- roofing for additional security and to deter birds, made from single skin profiled steel with Plastisol coloured finish
- rain-water gutters
- bump rails
- locking - padlock and sliding latch
- DDA Compliancy



Finishing:

All bin stores are supplied in a tough hot-dip galvanized finish with an optional polyester powder coating to BS 1722 - Part 16 in any RAL or BS colour for a long lasting, low maintenance finish.

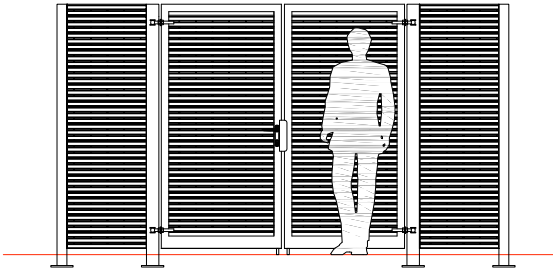
Alternative Designs:

Bin stores, bike stores, plant housing or compounds can also be supplied

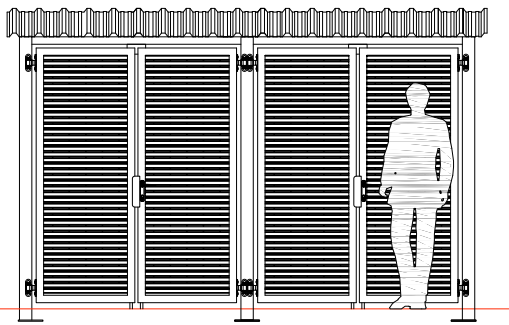


# The Europa Bin Store

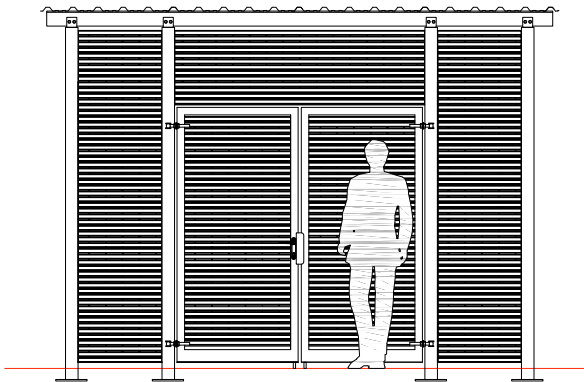
Our experience in the supply of bespoke bin stores has allowed us to develop and refine the Europa range of standard designs.



Type A - no roof



Type B - forward sloping roof

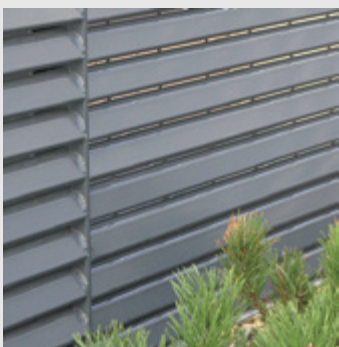


Type C - backward sloping roof

Europa bin stores are available with or without roofing in three different sizes to suit either 2, 4 or 6 wheeled 1100 litre Eurobins.

The Europa range is made using panels of Italia steel louvred grating. Italia-80, which provides 80% visual screening, is supplied as standard but Italia-100 can be specified if 100% visual screening is required.

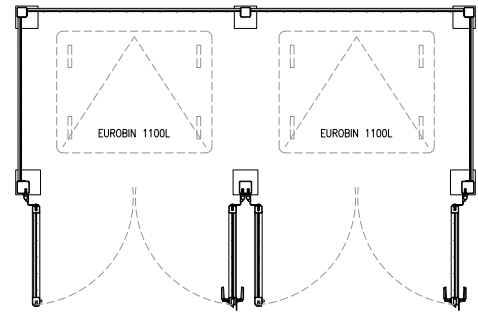
A complete package includes: RHS posts, SHS corner posts fitted with base plates, doors with euro-profile cylinder, Locincox locks.



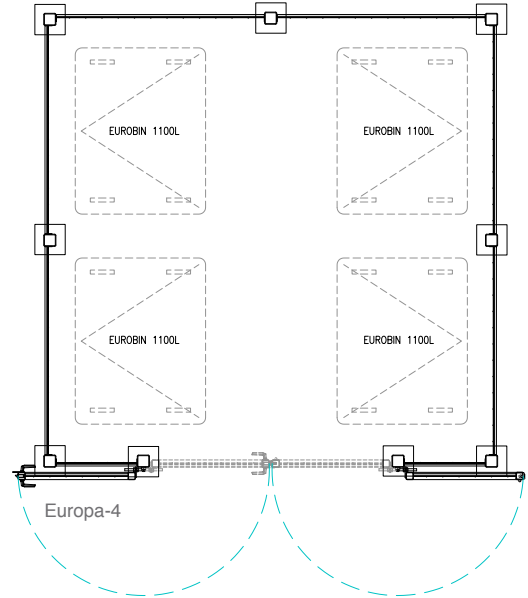
Italia-80



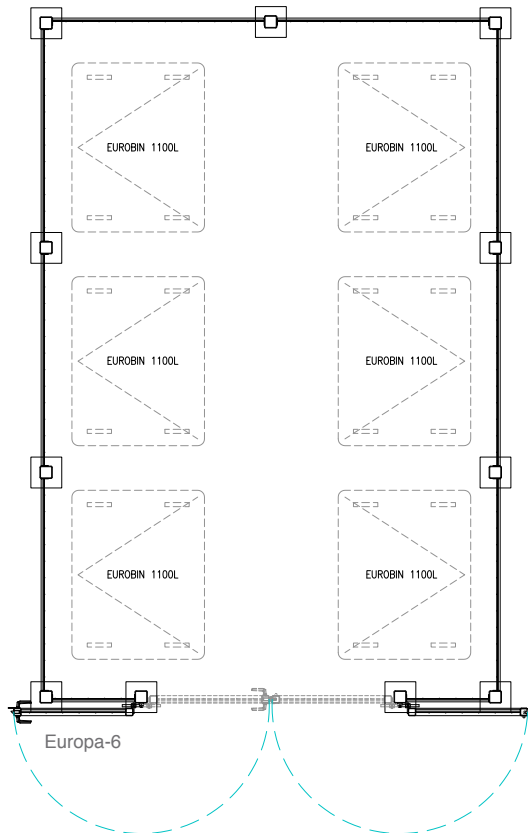
Italia-100



Europa-2



Europa-4



Europa-6

Capacity (bins)	Width (mm)	Depth (mm)
2	3650	1500
4	3700	3700
6	3700	5600
Height: 2000mm for Type A		

Case Study:

First established as a business park in the 1980's, Ashford Retail Park in Kent has been transformed by significant recent investment. This has included new service yards and landscaping works.

A package of two bin stores, 1m high perimeter fencing and 3m high security fencing with gates was supplied, all manufactured from Italia-80.



The two refuse stores were made with double swing gates to accommodate 110 litre euro bins.

The security fencing was installed in two areas: around the external display area of one of the retail units and to enclose a service yard with a 4.5m wide gate.

1m high fencing provided boundary demarcation to parking and delivery areas.

Finish: hot-dip galvanised and polyester powder coated RAL 7043.



Case Study:

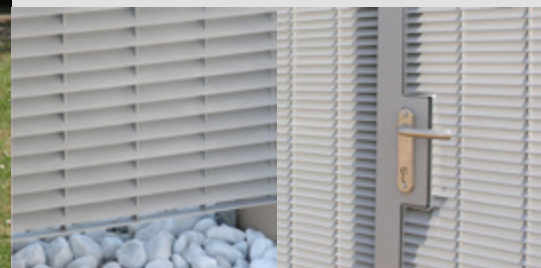
The Craigshill Care Facility is a specialist dementia unit catering for patients with particularly challenging aspects of the condition.

Lang+Fulton have supplied a compound for eurobins and general storage. For maximum durability, security and 100% visual screening, the louvre panels were made from DeltaWing-100.



The bespoke 6.6 x 5.7m compound was sub-divided into two separate areas, each with 1.4m wide double doors for access, secured with Locinox euro-cylinder locks and dropbolts.

Finish: hot-dip galvanised and polyester powder coated RAL 7040.





# LANG+FULTON

Lang & Fulton Ltd, Newbridge Industrial Estate, Newbridge, Edinburgh EH28 8PJ  
t: 0131 441 1255      sales@langandfulton.co.uk      www.langandfulton.co.uk

Stockholding Depot: Cygnus Point, Black Country New Road, West Bromwich B70 0BD