

GEODE MX

CREATIVE CURTAIN
WALL



IMAGINE WHAT'S NEXT







GEODE MX

/ A COMPLETE CURTAIN WALLING SUITE

MX is a comprehensive curtain walling suite offering designers high thermal performance to meet even the most stringent building regulations, and a wide range of aesthetic options based on a single system.

The variety of curtain walling applications, uses the same mullion and transom grid, and enables designers to vary the external appearance of the building envelope whilst benefitting from the design and construction options of a fully integrated system.

WHEN AESTHETICS MEET FUNCTIONALITY

The MX system successfully combines the creative and visual demands of architects with the functional needs of contractors, developers and occupiers, by simplifying the technical aspects as well as the manufacturing and the installation processes to ensure optimum quality and cost efficiency.

Designers also benefit from consistent sight lines and interfaces across a project, whether this is full-height, Trame or structurally glazed or features beaded or sloped glazing.

EXCELLENCE IN FAÇADE DESIGN

The MX range offers all the inherent qualities of aluminium: aesthetics, durability and low maintenance, and combines innovative technology and construction features with advanced manufacturing techniques for quality installation and long-lasting performance.

This system is the result of Technal's ongoing development programme and has been rigorously tested in accordance with European standards for wind resistance, water tightness, and air permeability.

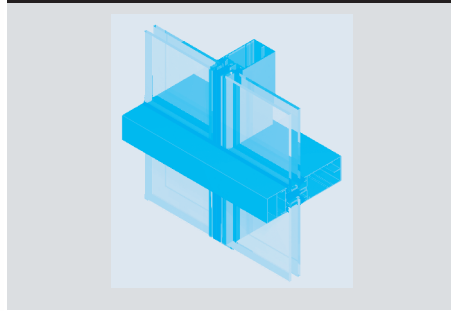




MX VISIBLE GRID



MX TRAME HORIZONTALE



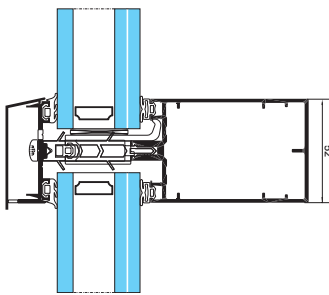
MX TRAME VERTICALE



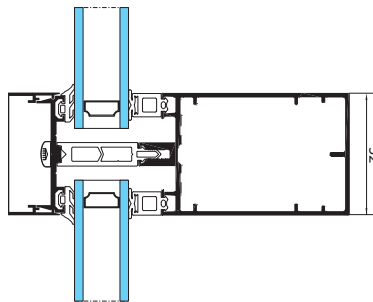
Glazing infill: 6 mm to 42 mm.
Façade: flat or faceted up to 20°.
Concealed opening vent: projecting top-hung, parallel.

Glazing infill: 6 mm to 42 mm.
Façade: flat or faceted up to 10°.
Concealed opening vent: projecting top-hung, parallel.

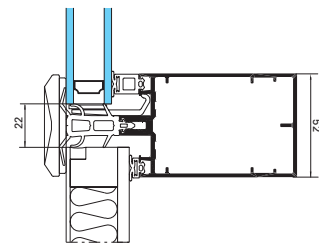
Glazing infill: 6 mm to 32 mm.
Façade: Flat.
Concealed opening vent: projecting top-hung.



Options:
 - MX Acoustic
 - MX 62 for large glass units
 - MX single glazing from 6 to 11 mm
 - MX Flush cap



Options:
 - MX Acoustic
 - MX single glazing from 6 to 11 mm



Options:
 - MX single glazing from 6 to 11 mm



MX FLUSH CAP



MX STRUCTURAL GLAZING



Glazing infill: 30 mm to 42 mm.

Façade: flat.

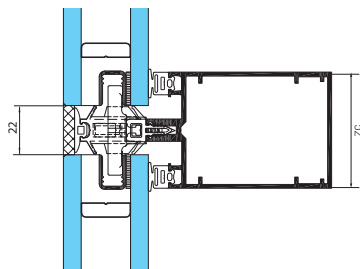
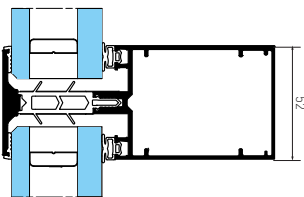
Concealed opening vent: projecting top-hung.

Glazing infill: MXm from 36 to 46 mm.

Façade: flat or faceted up to 10° (depending on the technology used).

Concealed opening frame:

MXm type: top-hung or parallel.



CONTENTS

MX DESIGN OPTIONS	8
- VISIBLE GRID	10
OPTIONS:	
- MX >32 MM GLAZING	12
- TRAME HORIZONTALE OR VERTICALE	14
- MX SINGLE GLAZING	16
MX STRUCTURAL GLAZING	18
- MXM STRUCTURAL GLAZING	20
- FLUSH CAP	22
MX SLOPED GLAZING	24
PERFORMANCE	26



KEY FEATURES AND INNOVATIONS

- **Visual consistency.** Unique aluminium structure for all external appearances. The discreet and consistent 52 mm for the mullions and transoms give a uniform appearance to the entire MX range.
- **Thermal efficiency.** The structure's integrated thermal break and the possibility of using the highest performance glazing means that the lowest U_{CW} coefficients can be achieved. Energy consumption for heating, lighting, ventilation and air-conditioning is reduced.
- **Technically advanced frame system.** High-quality components for long-term durability.
- **Intelligent design.** Designed for high-quality manufacturing and installation.
- **Meeting the requirements of each individual project.** We offer a selection of mullions up to 260 mm for structural elements and design flexibility to guarantee cost-effectiveness.
- **Complete system compatibility.** SOLEAL thermal break windows or doors can all be used with MX curtain walling for a solution that is tailored to each project.
- **Concealed opening vents.** These opening frame solutions, which preserve the external appearance of the facade, can be used in multiple open-in or open-out applications.
- **Design details.** A wide range of external caps for greater aesthetic choice.
- **Choice of infills.** The system can be used with glass, insulated panels and other types of opaque panels.

CONSTRUCTION

- **Robust construction.** The mullions and transoms are square cut and assembled using a combination of factory-fitted cast face-fixed junction spigots and concealed anti-rotation spigots, or by transom blocks. This strong and easy to build design offers greater accuracy and stability.
- **High-quality design.** The specially designed fittings used for combining mullions/transoms ensure high-quality connections.
- **Cost-effectiveness.** All machining operations can be completed using manufacturing tools in order to reduce manufacturing time and costs, and to achieve consistent quality.

THERMAL PERFORMANCE AND WEATHER TIGHTNESS

- **Increased resistance to climatic conditions.** Fully injectable, the mullion/transom assembly spigot ensures the precise and controlled injection of sealant to ensure weather tightness. In each drainage zone, EPDM caps, positioned between the thermal isolator and pressure plate, prevent the infiltration of water and avoids the need for additional sealant.
- **Effective drainage.** A secondary mullion drainage system enhances weather performance and quality. The system is zone drained and pressure equalised to ensure optimum performance and effective drainage in the most demanding environments.



GEODE MX

/ DESIGN OPTIONS





GEODE MX / DESIGN OPTIONS

VISIBLE GRID

FLAT OR FACETED FAÇADES.

Glazing available from 6 mm to 32 mm for flat or faceted curtain wall up to 20°.

OPTIMISED DISTRIBUTION OF LOADS

to prevent unacceptable deflection of the transoms and to allow the use of heavy and large glazing units. Maximum weight of 400 kg (assembled using a connector and anti-rotation spigot).

DESIGN. Choice of aluminium caps to highlight the external design of the façade.

COMMON STRUCTURE WITH 52 MM-MODULE PROFILES.

Range of profile depths: from 4.53 cm⁴ to 2133 cm⁴ to meet the needs of each project.

ADDITIONAL ACOUSTIC AND THERMAL PERFORMANCE.

An additional option for MX Visible grid, developed for projects requiring enhanced acoustic and thermal performances with glazing up to 42 mm.

INFILLS HELD IN PLACE

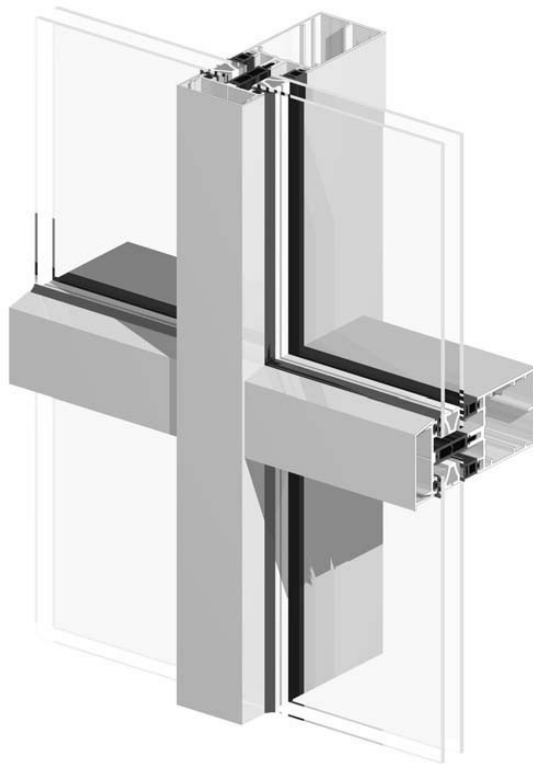
with a continuous aluminium pressure plate or a specific polyamide pressure plate with fitted vulcanised gaskets.

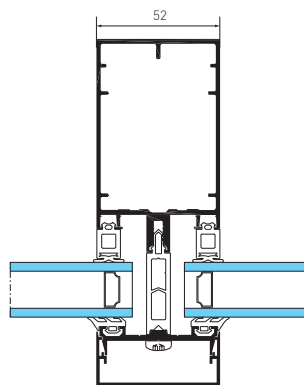
CHOICE OF GASKETS.

Available as large vulcanised corner or linear pieces depending on project requirements.

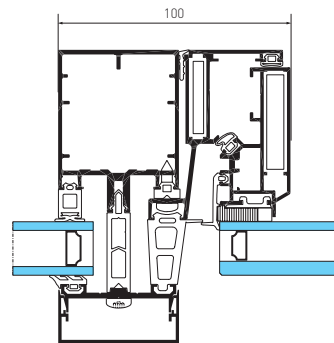
CONCEALED OPENING VENTS.

The projecting top-hung and/or parallel opening vents provide natural ventilation whilst maintaining the aesthetic lines whatever the appearance of the external façade.

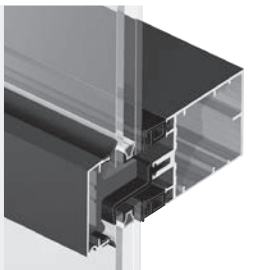




Fixed visible grid



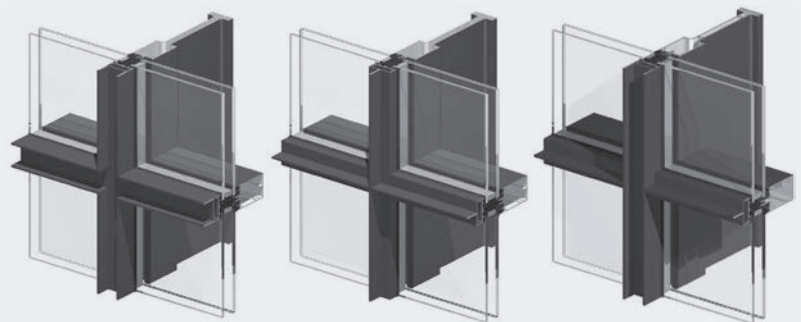
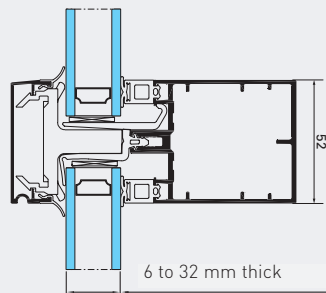
Concealed projecting top-hung opening frame



Thermal insulation provided by individual polyamide parts screwed to the mullion-transoms, keeping infills in place and supporting the external clip-on aluminium caps.

Optional non-continuous pressure plate (Technal patent)

Weather tightness assured primarily through the rear face by fitted vulcanised gaskets to accommodate the brise-soleil supports without reducing weather tightness.



Variety in the appearance of the façade

The range of mullion-transoms and external caps makes it possible to vary the appearance of the façade.

* Not standard UK variant

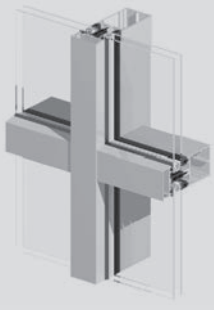
CONSTRUCTION

- **Simplified manufacturing.** The mullions and transoms are straight cut and assembled using a combination of cast spigots face fixed and concealed anti-rotation spigots for ease of manufacture.
- **Faceted façades.** For facets up to $\pm 10^\circ$, standard connectors may be used. A transom block combining specially designed pressure plates, caps and adaptors can be used for angles between 10° and 20° .
- **Special option.** The transom assembly block options offers an alternative to anti-rotation spigots in order to meet requirements of design or the project in general.

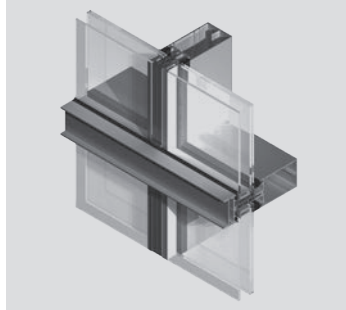
PERFORMANCE

- **Advanced thermal performance.** The thermal insulation of the standard MX visible grid solution is provided via a 34 mm TPE thermal isolator between the pressure plates and the mullion and transom structure. This principle ensures optimal thermal performance and meets or exceeds building regulations' requirements.
- **Thermal insulation** with glazing $U_g = 1.1 \text{ W/m}^2\text{K}$:
 - Fixed curtain wall with 80% glazing (opaque spandrel panel) $U_{cw} = 1.4 \text{ W/m}^2\text{K}$.
 - Fixed curtain walling with 50% glazing (80 mm insulating panel, $U_p = 0.35$) $U_{cw} = 1.1 \text{ W/m}^2\text{K}$.
- **Air, water and wind resistance** in accordance with European and CWCT standards.
- **ITT Testing** and technical approval for the specific pressure plate option.

Thermal calculations of curtain walling carried out in accordance with EN 13947.

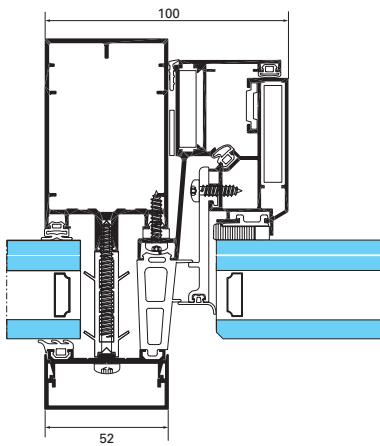


MX Visible grid

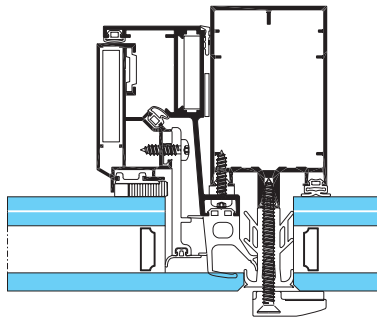


MX Trame Horizontale

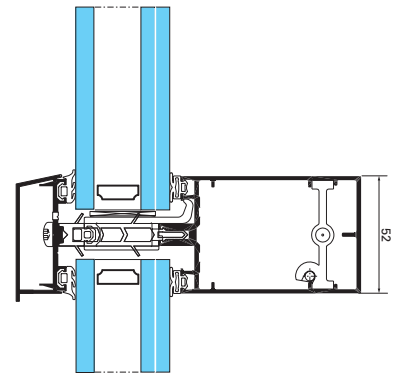
GEODE MX / DESIGN OPTIONS >32 MM GLAZING



Concealed projecting top-hung
Visible grid



Concealed projecting top-hung,
Trame Horizontale



Vertical section
Visible grid or Trame Horizontale

FEATURES

- **The enlarged glazing infill up to 42 mm offers greater acoustic and thermal protection.** Can be used in environments where additional performance is required (city centre apartments, hospitals, buildings close to airports and railways lines, etc.).
- **Visible grid or Trame Horizontale.**
- **Flat or faceted curtain walling.** For visible grid; 10 degrees for Trame
- **Concealed opening vent.** The concealed SSG projecting top-hung opening frames can be supplied for use with 36 mm and 42 mm glazing.
- **System compatibility.** The profiles allow Technal's window and door systems to be integrated into curtain wall structures.

CONSTRUCTION

- The transoms are fixed with spigots or block mounted and can accommodate glazing infill up to a maximum weight of 240 kg per transom.

PERFORMANCE

- **Reinforced thermal insulation** is provided through a multi-chamber spacing gasket and partitioning tabs.
- **Thermal insulation** with 42 mm triple glazing $U_g = 0.6 \text{ W/m}^2\text{K}$:
 - Fixed curtain walling with 80% glazing (opaque spandrels panel) $U_{CW} = 0.9 \text{ W/m}^2\text{K}$.
 - Fixed wall cladding with 50% glazing (80 mm insulating panel, $U_p = 0.35$) $U_{CW} = 0.8 \text{ W/m}^2\text{K}$.
- **Air, water and wind resistance** in accordance with European and CWCT standards.
- **ITT testing.**

Thermal calculations of curtain walling in accordance with EN 13947.



GEODE MX / DESIGN OPTIONS

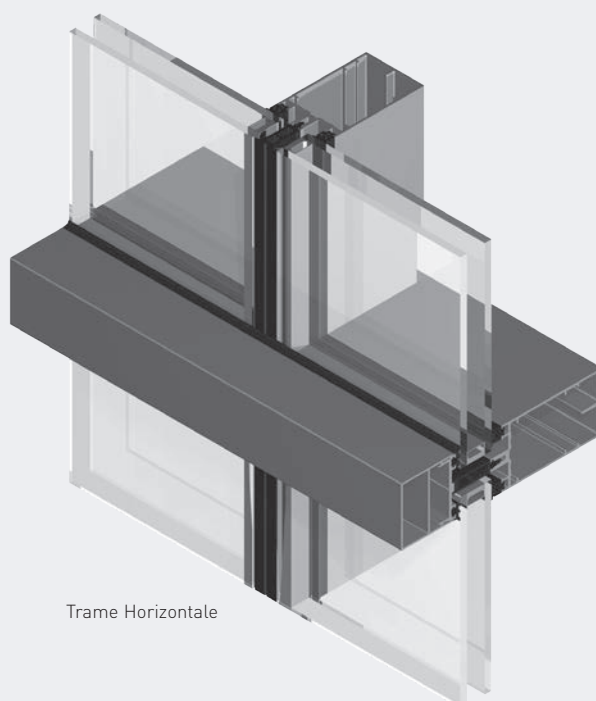
TRAME (HORIZONTALE OR VERTICALE)

COMMON STRUCTURE WITH 52 MM-THICK PROFILES. Choice of mullion-transoms members from 4.53 cm⁴ to 2133 cm⁴ to meet the needs of each project.

REINFORCED ACOUSTIC AND THERMAL PROTECTION. An option designed for the MX system. Trame Horizontale for environments requiring heightened thermal and acoustic performance.

DISTINCTIVE DESIGN DETAILS. MX Trame is an additional design option offering the option of highlighting the vertical or horizontal profiles on the building's envelope.

MAXIMUM WEIGHT of 300 kg per transom (assembled using a connector and an anti-rotation spigot).



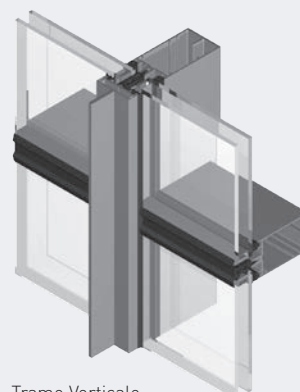
Trame Horizontale

GLAZING FROM 6 TO 32 MM. Up to 42 mm for the MX Trame Horizontale option.

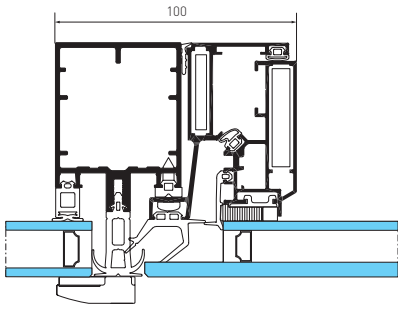
INFILLS ARE HELD IN PLACE with a continuous aluminium pressure plate, or a specific polyamide pressure plate with fitted vulcanised gaskets, on the transom or mullion.

CONCEALED OPENING VENTS. Projecting top-hung and parallel opening vents provide natural ventilation whilst maintaining consistent sight lines.

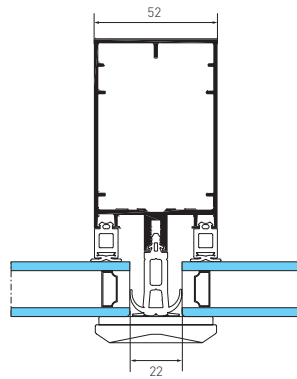
MINIMAL STRAIN. On large mullion or transom spans glass deflection is reduced using a special pressure block.



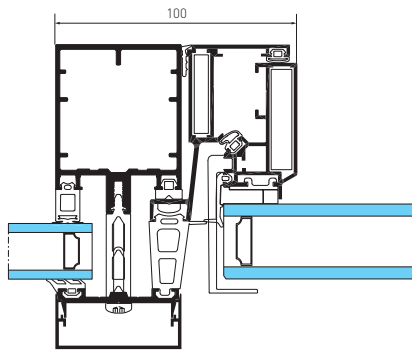
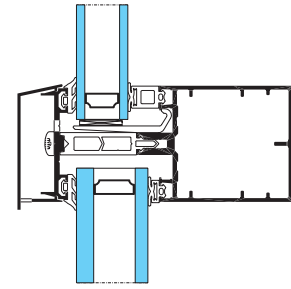
Trame Verticale



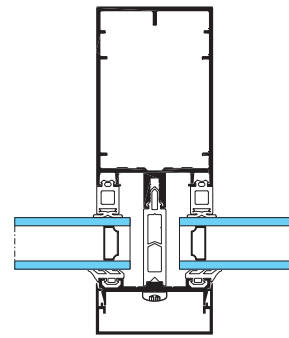
MX Trame Horizontale with concealed projecting top-hung



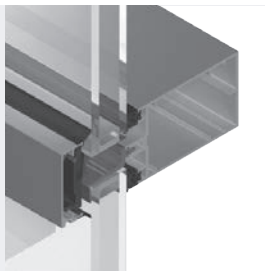
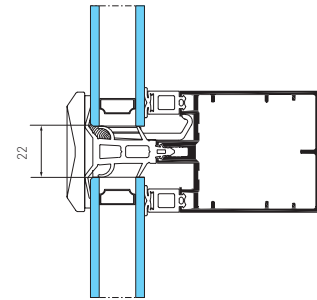
MX Trame Horizontale



MX Trame Verticale with concealed projecting top-hung

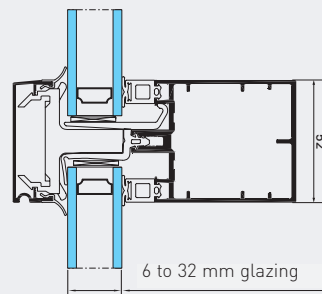


MX Trame Verticale



Optional punctual pressure plate (Technal patent) assured primarily through the rear face by fitted vulcanised gaskets to accommodate the brise-soleil supports without reducing the weather tightness.

Horizontal caps clipped on to the special pressure plates and a 22 mm "hollow" effect gasket conceals the verticals. Infills are kept in place horizontally by specific polyamide pressure plates. Special pressure plates keep the panels in place.



* Not standard UK variant

CONSTRUCTION

- **Contemporary design.** Depending on the type of frame, vertical or horizontal, a range of caps add depth to the facade whilst the gaskets, which are flush with the infills, conceal the verticals or horizontals.
- **Dry glazing.** MX Trame system does not require sealant to be applied on site.
- **Flat or faceted** up to 10° (Trame Horizontale only).

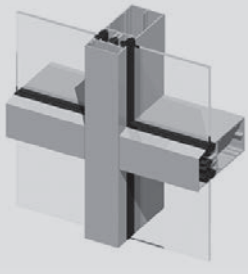
PERFORMANCE

- **Technical design** resistant to the most extreme climatic conditions. A pressure plate on the mullion or the transom, depending on the

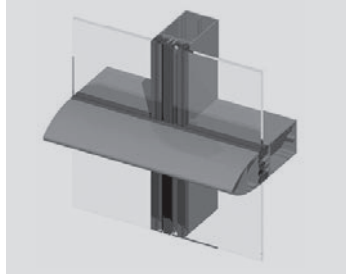
version, and a combination of EPDM gaskets keep the infills in place. Effective drainage is ensured by equalising the pressure through holes in the pressure blocks and caps.

- **Thermal efficiency.** MX Trame's thermal insulation is assured by a standard 34 mm TPE insulator between the pressure plate and mullion or transom.
- **Thermal insulation** with glazing $U_g = 1.3 \text{ W/m}^2\text{K}$:
 - Fixed curtain wall with 80 % glazing (opaque spandrel panel) $U_{cw} = 1.6 \text{ W/m}^2\text{K}$.
 - Fixed curtain wall with 50% glazing (80 mm insulating panel, $U_{cw} = 0.35$) $U_{cw} = 1.2 \text{ W/m}^2\text{K}$.
- **Air, water and wind resistance** in accordance with European and CWCT standards.
- **ITT testing** and technical approval for the special pressure plate option.

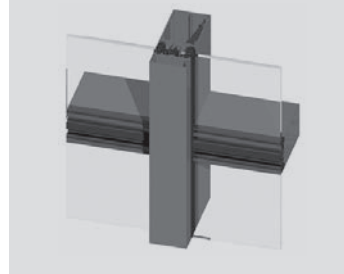
Thermal calculations of facade in accordance with EN 13947.



MX Visible grid

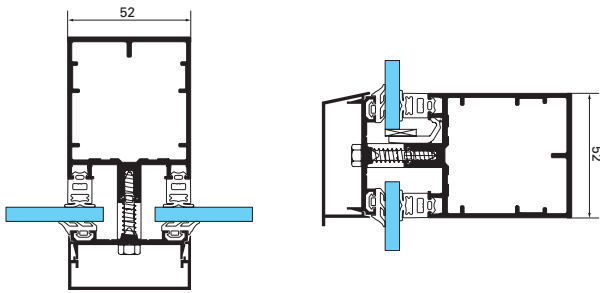


MX Trame Horizontale

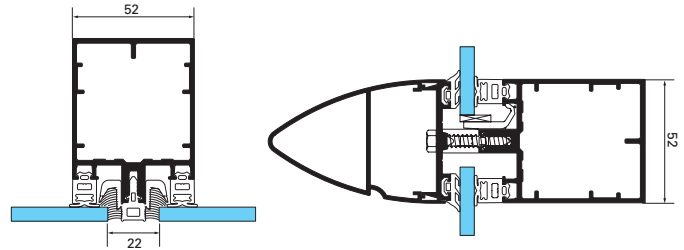


MX Trame Verticale

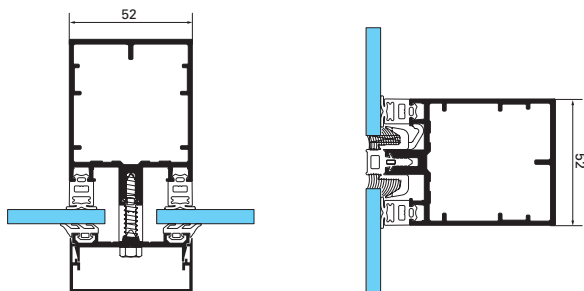
GEODE MX / DESIGN OPTIONS SINGLE GLAZING*



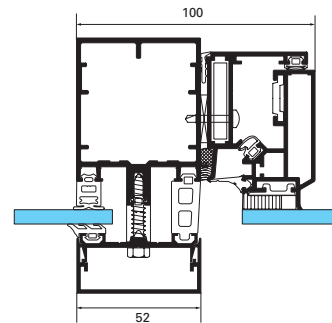
MX single glazing
Visible grid



MX single glazing
Trame Horizontale



MX SG single glazing
Trame Verticale



MX single glazing with a concealed projecting
top-hung opening frame

FEATURES

- **Version optimised for temperate regions.** The single glazed MX option for visible grid and Trame is dedicated to geographical regions in which the climatic conditions do not require advanced thermal performance or the use of double glazing.
- **Concealed vent option.** Structurally bonded projecting top-hung opening vents can be supplied for use with glazing from 6 mm to 11 mm.
- The MX single glazing system allows Technal's window and door systems to be integrated into curtain wall structures.
- **Flat and faceted façades:** up to 10°.
- **Laminated single glazing** from 6 to 11 mm.

CONSTRUCTION

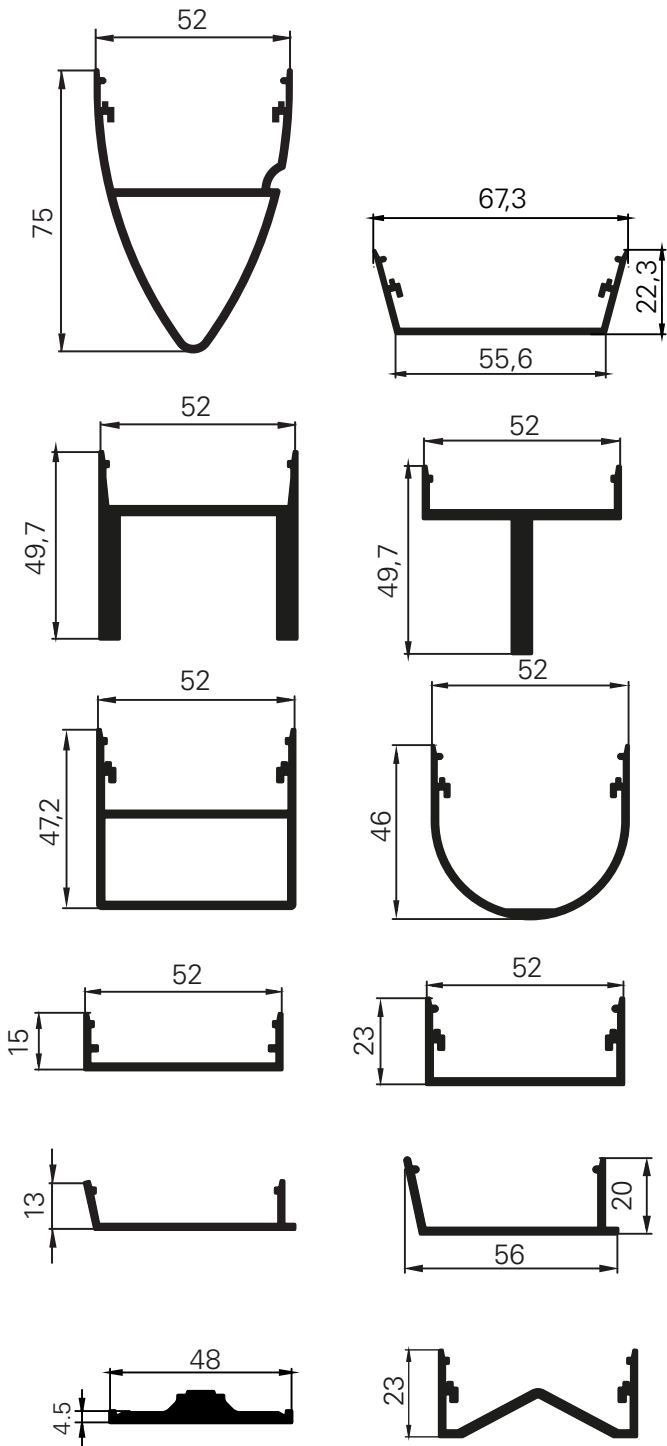
- The internal structure and external caps are as used on the standard MX visible grid and Trame options.
- Glass deflection can be limited on the free side by a specific piece positioned mid way.

PERFORMANCE

- **Air, water and wind resistance** in accordance with European standards.
- **ITT testing.**

* Not standard UK variant

CAPS CHOICE



* Not all standard UK items



GEODE MX

/ STRUCTURAL
GLAZING





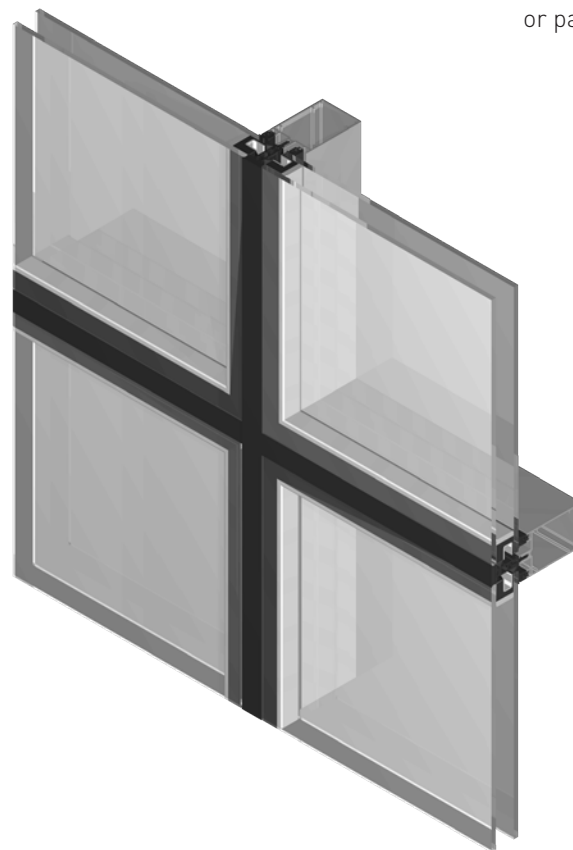
GEODE MX / STRUCTURAL GLAZING

MXM STRUCTURAL GLAZING

The **MX mechanical structural glazing** curtain walling is a technical design enabling the creation of fully glazed façades without attaching aluminium frames to the glazing. As an alternative to SSG (Structural Sealant Glazing) which uses traditional silicone sealant, the glazing for the fixed and opening sections is attached to the aluminium frame mechanically using special aluminium supports. From the outside, only the glazing and a thin gasket are visible.

FLAT OR FACETED up to 10 degrees.

FINISH AND WEATHER TIGHTNESS provided between the glass panel by a dry EPDM or silicone seal.

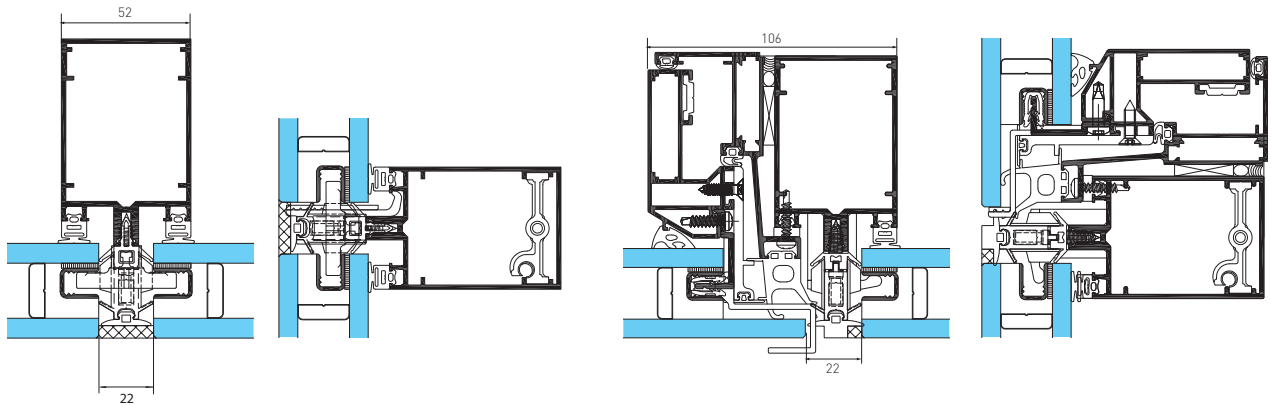


CONCEALED OPENING VENTS projecting top-hung or parallel.

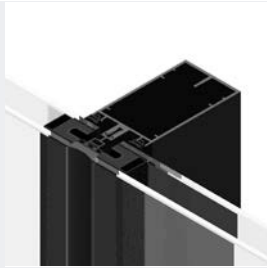
GLASS PANELS:
Fixed frames:
W 3.00 m x H 2.00 m
· Max. weight 240 kg
Vents: projecting
top-hung 130 kg
· Parallel 150 kg.

THE GLAZING FOR THE FIXED OR OPENING SECTIONS is attached to and held onto the grid structure by special retaining fixtures made from moulded or extruded aluminium.

GLAZING from 36 to 42 mm for the transparent sections of the fixed and opening frames. Spandrel panels with 6 or 8 mm glazing or insulating panels from 40 to 120 mm.

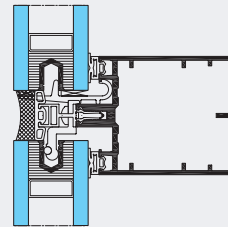


Projecting top-hung or parallel opening



Option MX SG

- **Glazing and infills.** Fixed and opening frames with glazing from 32 to 34 mm for the transparent spandrel wall panel with glazing from 6 to 8 mm and 4 mm aluminium composite panels for opaque sections.
- **SSG type projecting top-hung opening vent** - max. weight 120 kg.
- **High-performance weather tightness.** A silicone gasket is positioned between the leaves on a continuous support for guaranteed optimal weather tightness.
- **Flat or faceted façade** up to +/- 5°.
- 22 mm gap between the glass panels.



* Not standard UK variant

CONSTRUCTION

• **Glass panels**

- Use of special double glazed unit integrating a continuous u-shaped aluminium profile between the two panes of glass inside the silicone chamber for fixing to the curtain wall structure.
- The double glazing unit is fixed in place with aluminium toggles positioned at regular intervals along the nose of the aluminium grid structure and screwed into the transoms and mullions.
- The ends of the toggles are inserted into the u-shaped aluminium profiles between the two panes of double glazing unit.

• **Opening vents**

The concealed opening vents can accommodate projecting top-hung or parallel opening windows. The same double glazing fastening system is used for opening frames. In this case, the glass panels are held onto the opening frame by special aluminium pressure blocks and can accommodate security pieces.

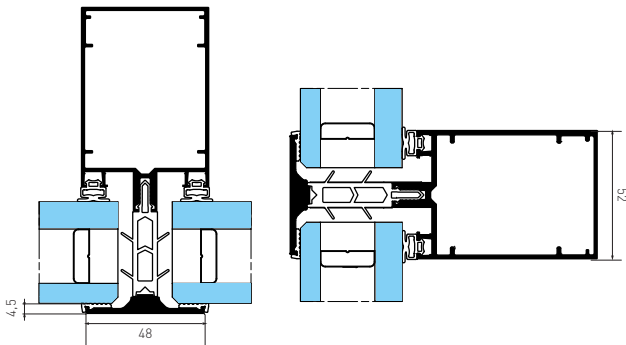
QUICK AND EASY TO MANUFACTURE

- **Reduction of costs and time** in factory and on site:
 - - No aluminium frames to produce and deliver to the glass manufacturer.
 - - No drying/bonding time for the glass panels on the aluminium frames.
- **Glazing** fixed directly onto the curtain wall grid structure without any intermediary profile.

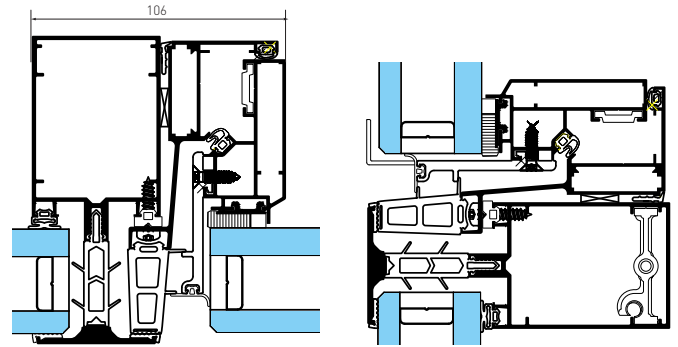
PERFORMANCE

- **Thermal insulation** with glazing $U_g = 1.1 \text{ W/m}^2\text{K}$:
 - Fixed curtain walling with 80 % glazing (opaque border) $U_{CW} = 1.5 \text{ W/m}^2\text{K}$.
 - Fixed curtain walling with 50% glazing (120 mm insulated panel, $U_g = 0.24$) $U_{CW} = 1.1 \text{ W/m}^2\text{K}$.
- **Air, water and wind resistance** in accordance with European and CWCT standards.
- System subject to a **DTA [French technical application document] and ITT testing** allowing the manufacturer to use CE markings.

GEODE MX / STRUCTURAL GLAZING FLUSH CAP

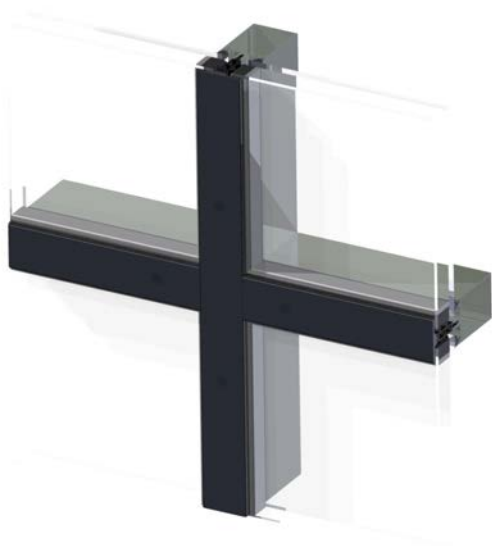


Fixed frame



Top-hung open-out vent

MX Flush Cap is an **aesthetic and economical alternative** to structural glazing options, which allows a flush appearance across the facade.



FEATURES

- Black integrated cap-pressure plate 4.5-mm depth on the external glazing
- **Infill up to 42 mm**
- **Vertical façade**
- Convex/concave facet 90° to 135°
- **Concealed vent**, 24- or 31-mm glazing
- **SOLEAL Visible vents**
- Maximum weight: 300Kg by glazing panel
- Possibility to realise an all glass facade with horizontal or vertical outline.

PERFORMANCES

- **ITT tests** allow CE marking
- **Weather tightness** in accordance with European standards



GEODE MX

/ SLOPED GLAZING



E 109 E 110

E 110

E 012

E 110

FEATURES

Uniform appearance. These solutions offer designers the possibility to create inclined roofs, vaults, atria and pyramids that are fully compatible and visually consistent with MX vertical façade.

MX Visible grid:
Specially designed cap. A special cap for the horizontal and vertical sections reduces the accumulation of water on the inclined sections.

MX Trame Verticale:
Minimal strain. The vertical caps and a silicone seal with pressure blocks on the transoms prevent deflection of the glass under negative wind pressure.

Glazing. The double glazed units are manufactured using structural silicone.

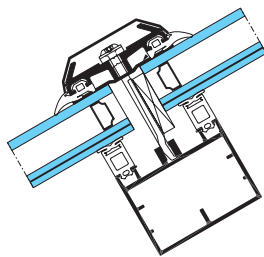
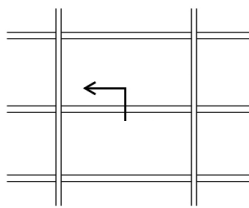
Incline. Minimum slope: 5° for double glazing (with CSTB technical approval).

CONSTRUCTION

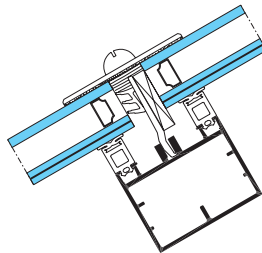
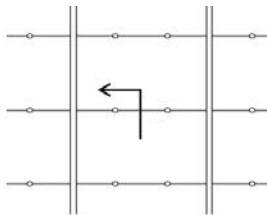
- The 8 mm to 32 mm infills are held in place with horizontal and vertical pressure plates for the MX Visible grid system and by vertical pressure plates and horizontal pressure blocks for the MX Trame Verticale.
- Design details. The rafters and transoms are square cut and assembled using the penetrating transom principle.

PERFORMANCE

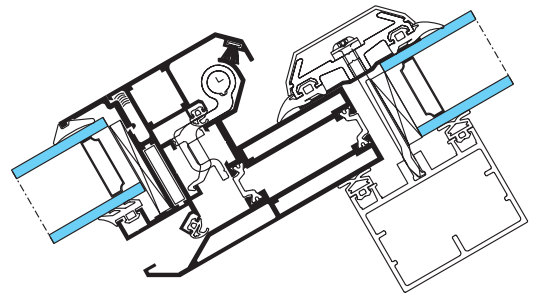
- Effective drainage. Drainage takes place at the end of the transoms via the rafters.
- Resistance to climatic conditions. The weather tightness of the grid system is assured via an internal EPDM gasket and external butyl tape. The weather tightness of the MX Trame Verticale for the Visible Grid version is assured by EPDM gaskets and a silicone gasket on the transoms.



MX Sloped, Visible Grid

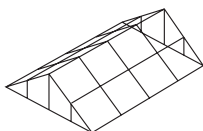


MX Sloped with Trame Verticale

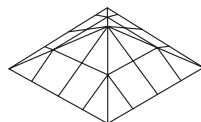


MX Roof-mounted opening vent

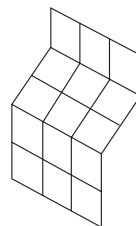
APPLICATIONS



Lantern



Pyramid



Roof light

PERFORMANCE

WEATHER PERFORMANCE

A sample curtain wall has been tested for each of the following systems in accordance with NF standards (French standard), meeting the specific curtain wall requirements of the European standard EN 13830.

The MX range also meets the requirements of the CWCT standard for building envelopes.

Further information is available upon request.

		MX	Perméabilité à l'air	Étanchéité à l'eau	Résistance à la pression du vent
CAPPED	VISIBLE GRID	FIXED	A4	R7	Résultats satisfaisants en pression et dépression 1600Pa et 2400Pa (pression brusque)
		PROJECTING TOP-HUNG OPENING	A3	E1200	VC5
		VISIBLE GRID	A4	E1200	Résultats satisfaisants en pression et dépression 1600Pa et 2400Pa (pression brusque)
		PROJECTING TOP-HUNG OPENING	A4	E1050	VC3
	TRAME HORIZONTALE	FIXED	A4	R7	Résultats satisfaisants en pression et dépression 1600Pa et 2400Pa (pression brusque)
		PROJECTING TOP-HUNG OPENING	A4	E9A	VC3
		HORIZONTALE TRAME	A4	E750	Résultats satisfaisants en pression et dépression 1600Pa et 1800Pa (pression brusque)
	TRAME VERTICALE	FIXED	A4	R7	Résultats satisfaisants en pression et dépression 1600Pa et 2400Pa (pression brusque)
		PROJECTING TOP-HUNG OPENING	A4	E8A	VC3
	SINGLE GLAZING	VISIBLE GRID	AE	RE1650	Résultats satisfaisants en pression et dépression 800Pa et 1200Pa (pression brusque)
		HORIZONTALE TRAME	AE	RE900	Résultats satisfaisants en pression et dépression 800Pa et 1200Pa (pression brusque)
		PROJECTING TOP-HUNG OPENING	A4	E1200	VC2
FLUSH CAP	FIXED	A4	RE1200	Résultats satisfaisants en pression et dépression 2400Pa et 3600Pa (pression brusque)	
	PROJECTING TOP-HUNG OPENING	A4	E1200	VC3	
STRUCTURAL GLAZING	MECHANICAL STRUCTURAL GLAZING	FIXED	A4	R7	Résultats satisfaisants en pression et dépression 1600Pa et 2400Pa (pression brusque)
		PROJECTING TOP-HUNG OPENING	A4	E1200	VC3

THERMAL PERFORMANCE

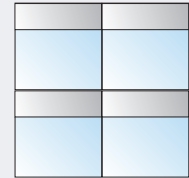
The precise performance depends on a combination of the size of the frames, the thickness of the glass, the type of infill and the options chosen. The values below are provided for indicative purposes only. Further information is available upon request.

U_{cw} coefficient of curtain walling without protection (W/m².K)

		U _g insulation coefficient of glazing (W/m ² .K)										
		Triple glazing			Double glazing							
		0.6 + int. insulating	0.6	0.8	1.0 + int. insulating	1.1 + int. insulating	1.0	1.1	1.3	1.5	1.7	1.9
TRAME	Grid				1.2	1.3	1.3	1.4	1.5	1.6	1.8	1.9
	Grid >32 mm	0.9	1.0	1.1	1.2	1.3	1.3	1.4	1.5	1.6	1.8	1.9
	Horizontale				1.2	1.3	1.3	1.4	1.5	1.6	1.8	1.9
	Horizontale > 32 mm	0.9	1.0	1.1	1.2	1.3	1.3	1.4	1.5	1.6	1.8	1.9
STRUCTURAL GLAZING	MXm*				1.4	1.5	1.5	1.6	1.7	1.8	2.0	2.1

* insulator ACERMI 40 mm (U_p = 0.66)

100% glazed on the inside:
transparent glazed section +
opaque spandrel panel
2 frames per level:
W = 1.35 m x H spandrel =
0.70 m + transparent glazing
= 2.50 m.
insulating, extruded
polystyrene, 50 mm thick
(U_p = 0.54)

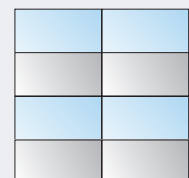


U_{cw} coefficient of curtain walling without protection (W/m².K)

		U _g insulation coefficient of glazing (W/m ² .K)										
		Triple glazing			Double glazing							
		0.6 + int. insulating	0.6	0.8	1.0 + int. insulating	1.1 + int. insulating	1.0	1.1	1.3	1.5	1.7	1.9
TRAME	Grid				1.1	1.1	1.1	1.2	1.3	1.3	1.4	1.5
	Grid > 32 mm	0.9	1.0	1.0	1.1	1.1	1.1	1.2	1.3	1.3	1.4	1.5
	Horizontale				1.1	1.2	1.2	1.2	1.3	1.4	1.5	1.6
	Horizontale > 32 mm	0.9	1.0	1.1	1.1	1.1	1.2	1.2	1.3	1.4	1.4	1.5
STRUCTURAL GLAZING	MXm*				1.3	1.4	1.4	1.4	1.5	1.6	1.7	1.7

* insulator ACERMI 40 mm (U_p = 0.66)

60% glazed on the inside:
glazed transparent section +
opaque curtain wall
2 frames per level
W = 1.35 m x H transparent
glazing = 1.50 m + curtain
wall = 1.00 m. 50 mm
thick extruded polystyrene
insulator (U_p = 0.54)





IMAGINE WHAT'S NEXT

Hydro Building Systems UK Ltd
Severn Drive, Tewkesbury
Gloucestershire. GL20 8SF
Tel: 01684 853500 - www.technal.co.uk

By  **Hydro**