



# Welcome to Gartec Platform Lifts



## ABOUT

Gartec are the leading UK supplier of platform lifts, and with over 20 years' experience we have almost certainly worked on a similar project to yours.

Wholly owned by our Swedish manufacturer, Aritco, we have influence and control over the factory process.

Priding ourselves on fantastic customer service, we provide a full turnkey solution, including project management, site visits, free drawings and BIM objects, and an in house maintenance team.

## CONTACT

Gartec Ltd.,  
Unit 6, Midshires Business Park  
Smeaton Close, Aylesbury  
Buckinghamshire, HP19 8HL

Opening hours  
Mon - Fri 8:30am - 5:30pm

01296 397100  
[www.gartec.com](http://www.gartec.com)  
[sales@gartec.com](mailto:sales@gartec.com)



## SHOWROOM

Our showroom allows you and your clients to try our lifts and see some of the optional features. Just get in touch to arrange a visit on 01296 397100.

Finding us:  
Unit 6, Midshires Business Park,  
Smeaton Close, Aylesbury,  
Buckinghamshire, HP19 8HL

Opening times:  
Mon-Fri 9am - 5pm

# Introducing the Gartec 7000 Range

## 7000

The most **versatile** platform lift on the market, the Gartec 7000 is a simple, cost effective solution for access in almost any building

The 7000 range uses our screw & nut system - quiet, efficient and safe. Choose from a huge selection of finishes and colours



## 7000 Flexi

The 7000 flexi is designed for easy, fast and safe **light goods** use, including protective features and higher weight limits to handle trolleys.

Our in house engineers install the 7000 range in around 2-3 days, and the modular structure is delivered to site on the day you pick.



## 7000 XT

Our external platform lift, the 7000 XT is ideal for **outdoor environments** with weather resistant features and door canopy.

Gartec servicing packages ensure your lift condition - with packages to suit all budgets and requirements. Our nationwide network of engineers are on hand 24/7 for peace of mind.



# Gartec 7000

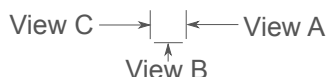
## Technical Details

Our most versatile platform lift

### TECHNICAL

Type of Lift	Internal platform lift for public and commercial environments
Useage	Passenger platform lift
Environment	Internal only
Travel	250mm - 13,000 mm
No. of Floors	2 - 6
Top Height	2240mm (minimum) No head fixing required
Pit / Ramp	50mm (pit or ramp)
Rated Speed	0.15m/s
Drive System	Screw and Nut System with Emergency Battery Backup
Platform Controls	Hold to Run
Landing Controls	Single Press Operation
Power Req.	1 Phase, 230V, 20A (standard) *3 Phase, 400V, 20A (500kg)
Motor	2.2kW
Shaft	Supplied, self supporting Glass or solid panels
Doors	Full height door as standard Half Height Gate available (under 2,000mm travel only)
Door Configuration	Doors on any 2 of 3 sides on each landing
Compliance	EN81-41 ISO 9001:2008 Machinery Directive Compliant Part M Compliant

**\*\*Doors B Side: Add 25mm to structural opening width**



### BIM Objects

Gartec provide free platform lift BIM Objects for each size and door layout on the NBS Library and at [www.gartec.com](http://www.gartec.com)



7000 Lift with glass panels and RAL colour

### DIMENSIONS

Platform Size	Rated Load	Structural Opening**	Shaft Size	Equality Act Compliance
900 x 1040mm	250 kg	1305 x 1190mm	1275 x 1160mm	N/A
900 x 1280mm	410 kg	1305 x 1430mm	1275 x 1400mm	N/A
900 x 1480mm	410 / 500* kg	1305 x 1630mm	1275 x 1600mm	Through or Single Entry
1000 x 1280mm	410 kg	1405 x 1430mm	1375 x 1400mm	N/A
1000 x 1480mm	410 / 500* kg	1405 x 1630mm	1375 x 1600mm	Through or Single Entry
1000 x 1980mm	500* kg	1405 x 2130mm	1375 x 2100mm	Through or Single Entry
1100 x 1480mm	410 / 500* kg	1505 x 1630mm	1475 x 1600mm	Through, Single or Adjacent
1100 x 1580mm	500* kg	1505 x 1730mm	1475 x 1700mm	Through, Single or Adjacent

\*500kg models require 3 phase power

# Gartec 7000 Flexi Technical Details

The 7000 Flexi Model is tailored for simple **light goods** use

## BREEAM & Platform Lifts

A platform lift waives 2 points from your overall BREEAM requirement, giving a better overall sustainability rating for the building.



7000 Flexi  
Light Goods Lift

## TECHNICAL

Type of Lift	Internal platform lift for public and commercial environments
Useage	Light goods & passenger platform lift
Environment	Internal only
Travel	250mm - 13,000 mm
No. of Floors	2 - 6
Top Height	2240mm (minimum) No head fixing required
Pit / Ramp	50mm (pit or ramp)
Rated Speed	0.15m/s
Drive System	Screw and Nut System with Emergency Battery Backup
Platform Controls	Hold to Run
Landing Controls	Single Press Operation
Power Req.	1 Phase, 230V, 20A (standard) *3 Phase, 400V, 20A (500kg)
Motor	2.2kW
Shaft	Supplied, self supporting Glass or solid panels
Doors	Full height door as standard Half Height Gate available (under 3,000mm travel only)
Door Configuration	Doors on any 2 of 3 sides on each landing
Compliance	EN81-41 ISO 9001:2008 Machinery Directive Compliant Part M Compliant
Additional Features	7000 Flexi (Goods) - Raised Curb on Platform - Higher load capacity

## DIMENSIONS

Platform Size	Rated Load	Structural Opening**	Shaft Size	Equality Act Compliance
900 x 1480mm	410 / 500* kg	1305 x 1630mm	1275 x 1600mm	Through Car or Single Entry
1000 x 1480mm	410 / 500* kg	1405 x 1630mm	1375 x 1600mm	Through Car or Single Entry
1000 x 1980mm	500* kg	1405 x 2130mm	1375 x 2100mm	Through Car or Single Entry
1100 x 1480mm	410 / 500* kg	1505 x 1630mm	1475 x 1600mm	Through, Single or Adjacent
1100 x 1580mm	500* kg	1505 x 1730mm	1475 x 1700mm	Through, Single or Adjacent

\*500kg models require 3 phase power

\*\*Doors B Side: Add 25mm to structural opening width

# Gartec 7000 XT

## Technical Details

The 7000XT is tailored for **external** installation

### TECHNICAL

Type of Lift	External platform lift for public and commercial environments
Useage	External passenger platform lift
Environment	External / External to Internal Temp. min. -5 - max. +40 Windloads up to 10m/s** 2 supporting walls required
Travel***	250 - 3,500 mm freestanding Up to 13,000mm dependent on wind loads & site condition
No. of Floors	2 - 6***
Top Height	2240mm (minimum) No head fixing required
Pit / Ramp	50mm (pit or ramp) Threshold & pit drain recommended
Rated Speed	0.15m/s
Drive System	Screw and Nut System with Emergency Battery Backup
Platform Controls	Hold to Run
Landing Controls	Single Press Operation
Power Req.	1 Phase, 230V, 20A (standard) 3 Phase, 400V, 20A (500kg)
Motor	2.2kW
Shaft	Supplied, self supporting Glass or solid panels
Doors	Full height door only
Door Configuration	Doors on any 2 of 3 sides on each landing
Compliance	EN81-41 ISO 9001:2008 Machinery Directive Compliant Part M Compliant
Additional Features & Options	7000 XT (External) - Overhead Door Canopy - Guttering / Drainage - Ventilation / Heating - Chromated Screw (Rustless)

\*\*Where wind loads exceed 10m/s, a windshield or external building around the shaft is required.

\*\*\*Where heights exceed 3,500mm, further site requirements may apply - get in touch for details.

### Did you know...

Our platform lifts are made from 95% recyclable materials, helping to make any project more sustainable.

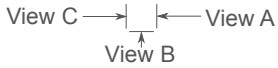


\*Doors B Side: Add 25mm to structural opening width

View C → | | ← View A  
↑  
View B

### DIMENSIONS

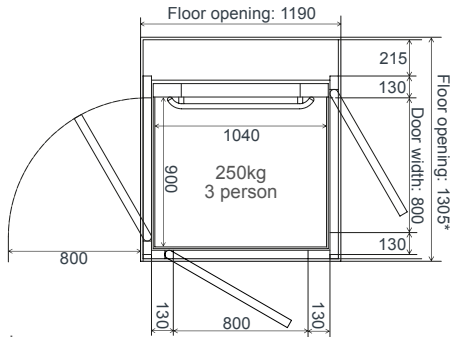
Platform Size	Rated Load	Structural Opening*	Shaft Size	Equality Act Compliance
1100 x 1480mm	410 / 500* kg	1505 x 1630mm	1475 x 1600mm	Through, Single or Adjacent



Plan views include running machinery space

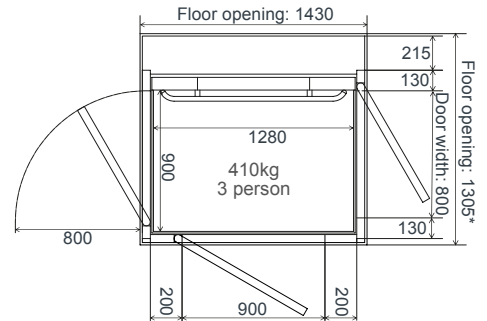
# The 7000 Range Plan Views & Dimensions

**900 x 1040mm**



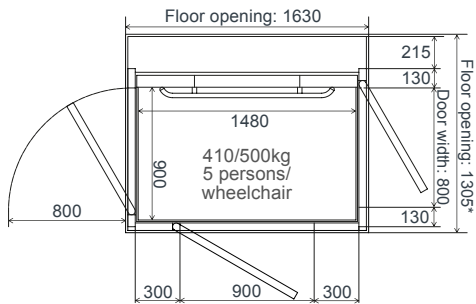
Doors A/C Side: as shown  
\*Doors B Side: Opening width +25mm

**900 x 1280mm**



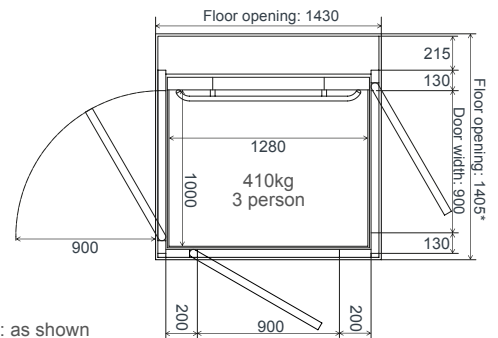
Doors A/C Side: as shown  
\*Doors B Side: Opening width +25mm

**900 x 1480mm**



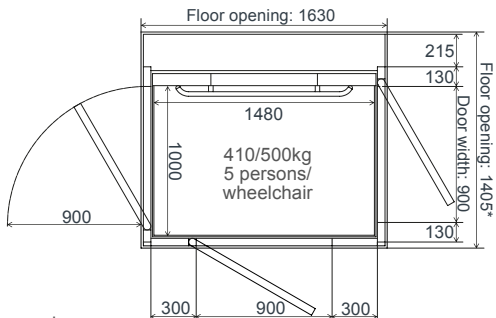
Doors A/C Side: as shown  
\*Doors B Side: Opening width +25mm

**1000 x 1280mm**



Doors A/C Side: as shown  
\*Doors B Side: Opening width +25mm

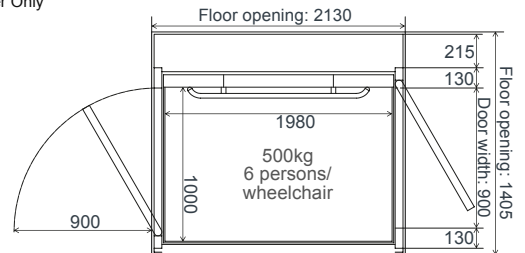
**1000 x 1480mm**



Doors A/C Side: as shown  
\*Doors B Side: Opening width +25mm

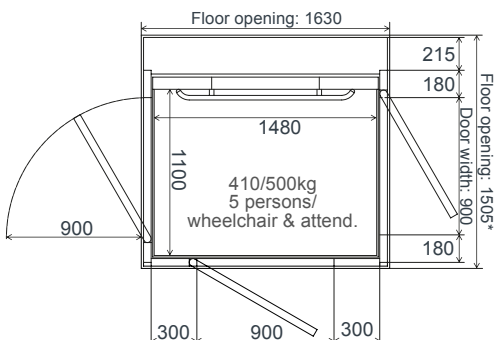
**1000 x 1980mm**

3 Phase Power Only



Doors A/C Side: as shown  
Doors B Side not available

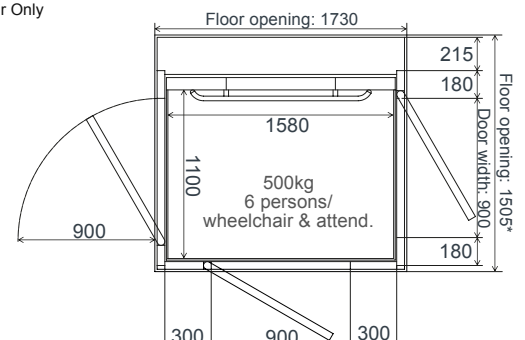
**1100 x 1480mm**



Doors A/C Side: as shown  
\*Doors B Side: Opening width +25mm

**1100 x 1580mm**

3 Phase Power Only



Doors A/C Side: as shown  
\*Doors B Side: Opening width +25mm

A red flag indicates 500kg capacity available, and standard Part M compliance, whilst black flags may require building control compensation.

# The 7000 Range

## Options & Additions

Options and features to tailor the exterior of any of the 7000 range lifts

### DOORS



**GL Door & Concealed Closer**  
Glass & steel door with concealed closer and aluminium trim to glass areas.



**Fire Door**  
60 minutes fire & smoke protection. Includes concealed door closer and aluminium trim to glass areas.  
*Note: to make shaft fire resistant, cladding must be applied to the outside of the shaft by the client.*



**Half Height Gate (Top Floor)**  
Includes concealed door closer and aluminium trim to glass areas.  
Maximum travel height 2m.  
*Not available on the 7000 XT.*



**Automatic Door Opener**  
Press the button on the landing call station and the lift doors open.  
Replaces the standard concealed door closer.

### OPENING



**Landing Call Station**  
Standard call button placed on door frame with back light in red and green for arrival indication.  
Available in aluminium or stainless steel finish.



**Key Locking**  
A key can be used to call and use the lift instead of a button to restrict access.  
The doors lock 10 seconds after closing.



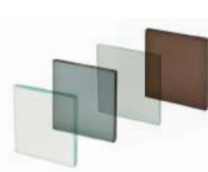
**Remote Call Station**  
Mounted away from the lift, either flush or protruding.  
Allows the user to call the lift whilst away from the doors.

### ENTRY



**Ramped Entry**  
Choose from a 50mm pit, or 50mm galvanised steel ramp at the lowest floor level where a pit is not possible.  
*Note: threshold and pit drains recommended on 7000XT.*

### WALLS & SHAFT



**Glazing Tints (Doors & Shaft)**

For doors and shaft, choose:

- Clear Glass (JT10)
- Tinted Glass (JT16)
- Frosted Glass (JT23)
- Dark Tinted Glass (JT5)

Shaft panels are available in 3 heights, or custom to 2500mm.

Standard	RAL 9016 Traffic White	RAL 9010 Pure White	RAL 1015 Light Ivory
	RAL 7047 Telegrey 4	RAL 9006 White Aluminium	RAL 7045 Telegrey 1
	RAL 9007 Grey Aluminium	RAL 7012 Basalt Grey	RAL 7016 Anthracite Grey
	RAL 3020 Traffic Red	RAL 5002 Ultramarine Blue	RAL 8017 Chocolate Brown
			RAL 9005 Jet Black

**Shaft Panel Colours**

Shaft panels are painted in 9016 (Traffic White) as standard.

The 'Sahara' range (shown) can be applied to shaft panels, door blades and door frames.

### HANDLES



**Aluminium Door Handle**

Closed end rod style door handle with finger print resistant finish.

*Matches standard internal handrail*



**Brushed Steel Door Handle**

Closed end rod style door handle with brushed stainless steel fingerprint resistant finish.

*Matching internal handrail available*



7000 range with Key Locking System



Features & design options to tailor the interior of any of the 7000 range lifts

# The 7000 Range Options & Additions

## PLATFORM

Standard



### Half Height Console

As standard on the 7000.

Half height panel houses controls and handrail, with safety stop edge.

Total height: 1100mm



### Full Height Console with Mirror

Full height panel houses controls, large mirror, handrail and safety stop edge.

Total height: 2000mm

## COMMUNICATION

Standard



### Alarm Button

Fitted on the lift as standard, when pressed a buzzer sounds.



### Intercom

The platform handset links to an externally mounted handset for communication between the two.



### Telephone

Attached to the platform, this can be used like a normal phone.

Intended for emergencies only.



### Autodialler

Integrated in the control panel, the autodialler rings a set of pre-entered numbers when the alarm button is pressed.

When unanswered, the next number is called.

## LIGHTING

Standard



### Fluorescent Shaft Ceiling Light

A fluorescent bar light is fitted as standard to the inside roof of the shaft for safety.



### LED Shaft Ceiling Lights

LED lighting option for the inside roof of the shaft for safety and aesthetics.

## DESTINATION

Standard



### Destination Buttons

Finished in gloss black, matte black or metal effect with tactile and braille markings as standard.



### Platform Floor Indicator

A voice and LED display notifying the user of the landing reached and the current position of the lift whilst travelling.

Positioned on the control panel on the platform.

Compulsory over 3m travel.



### Landing Position Indicator

Illuminated LED display showing the current position of the lift from outside.

Positioned on exterior of the lift.

## FLOORING

Standard



### Platform Flooring

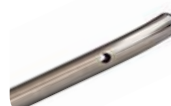
Choose from 9 flooring options, or select your own flooring.

## RAILS



### Aluminium Platform Handrail

Closed end rod style handrail with finger print resistant finish.



### Brushed Steel Platform Handrail

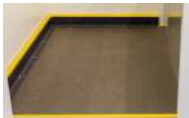
Closed end rod style handrail with brushed steel fingerprint resistant finish.

Matching door handle available.

# Gartec 7000 Flexi & XT Specialist Options & Additions

## 7000 FLEXI OPTIONS

LIGHT GOODS



### Raised Platform Kerb

Around the edge of the platform, a 90cm high curb prevents damage to shaft walls from impact during loading, or from rubbing during travel.



### Higher Rated Load

Particularly useful for light goods use, the rated load can be increased to 500kg. Models at 500kg require a 3ph power supply.

This must be selected during ordering as load testing completed during commissioning.



7000 Flexi with Raised Kerb

## 7000 XT OPTIONS

STANDARD



### Ventilation System

A ventilation fan is installed in the top of the shaft, including upper panels with fan holes, and lower panels with ventilation holes.



### Weather-proof Enhancements

Corrosion-resistant guides, screw and covers, along with water resistant call button protection, door brush strip and outdoor suitable oil is used for external installations.

SHAFT



### Heating System

A 2000W heater placed at the bottom of the shaft prevents freezing during winter.

External power socket required.



### Higher Rated Load

Particularly useful for light goods use, the rated load can be increased to 500kg. The higher load requires a 3ph power supply.

This must be selected during ordering as load testing is completed during commissioning.

EXTERNAL



### Exterior Door Canopy

Sloping roof placed above landing doors to protect doors and users from poor weather. Made of galvanised steel, painted in RAL 9016 (Traffic White) as standard.

Width: 1160mm  
Slope Angle: 23 degrees



### Exterior Roof

If the top landing is external and not installed in a pre-built shaft then an exterior roof is required. Made of galvanised steel and painted in RAL 9016 (Traffic White) as standard.

An inner ceiling with light must be ordered with the exterior roof.



7000 XT External Lift

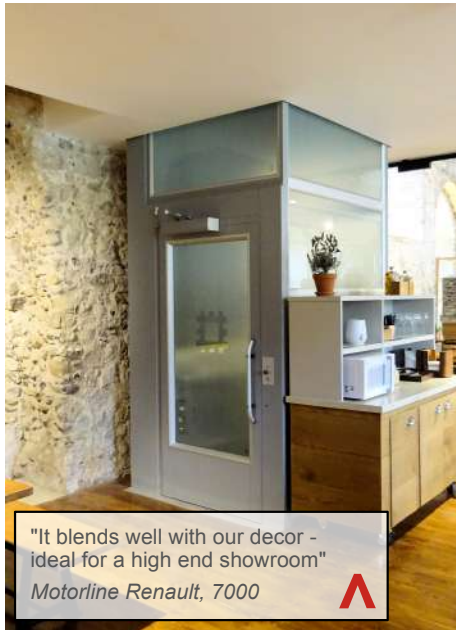
### Did you know...

Gartec maintenance packages include comprehensive checks and LOLER to keep you safe.



# The 7000 Range Gallery & Examples

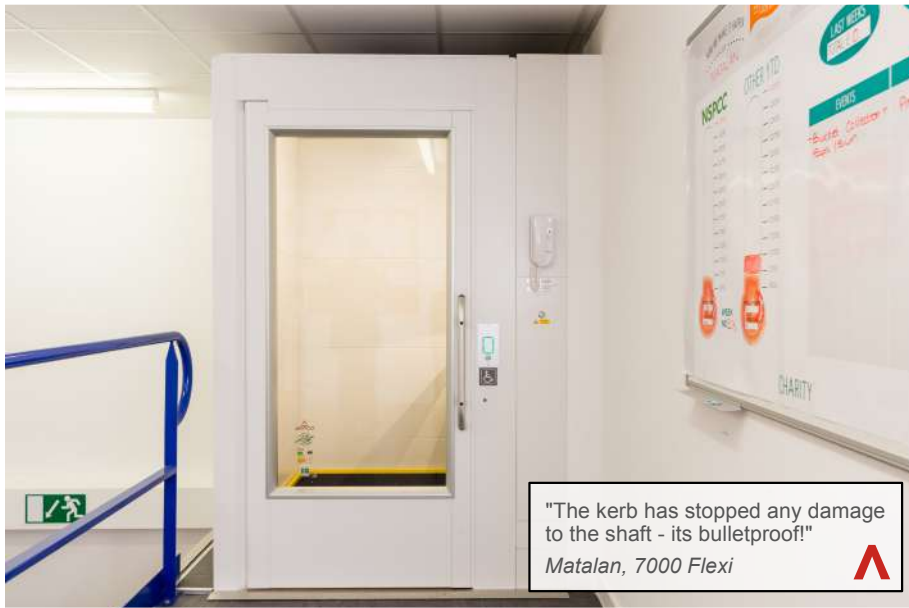
Be inspired by some  
of our previous projects



"It blends well with our decor -  
ideal for a high end showroom"  
Motorline Renault, 7000



"A platform lift meant much less  
space was used - its very reliable  
and works very well"  
Abbeyside, 7000 Flexi



"The kerb has stopped any damage  
to the shaft - its bulletproof!"  
Matalan, 7000 Flexi



# Platform Lifts for Commercial & Public Buildings

# GARTEC

LEADING THE PLATFORM LIFT INDUSTRY

As the UK's market leaders in platform lifts, Gartec have over 20 years' experience in a huge range of projects, environments, locations & specifications.

Providing planning support and design work, installation, maintenance, servicing and spare parts, Gartec offer a complete lifetime solution for commercial access needs.

Wholly owned by our manufacturer, Aritco Lifts, and founder members of LEIA, Gartec are leading the way in the platform lift industry.



Gartec is an **ARITCO**™ Group Company



**Intertek**  
ISO 9001  
OHSAS 18001

