

GARTEC HOME PLATFORM LIFTS

Gartec HomeLift Access



GARTEC LIFTS
HOME DESIGNED
FOR LIFE

GARTEC HOME

Gartec was founded with a clear aim, to become the leader in platform lift solutions with a hassle-free experience, making buildings more accessible, opening up possibilities and options for users. One of our key objectives is to use our expertise and knowledge so that we can deliver exceptional service. The use of well-designed lift products has led us to shape the industry and become an award-winning business.

OUR PROMISE TO YOU

With over 25 years history and industry knowledge we provide an easy experience, exceeding expectations every time. Our purpose is to provide the right solution to our customers, helping people to live better. Our reliability and consistency is what makes us a popular choice for platform lift products and we always look at ways to continuously improve to support our customers needs.



“Both our Architect and Building Manager found the Gartec team professional, organised and proactive, and the installation process went smoothly. All the people my husband and I have dealt with have been helpful, and any queries dealt with quickly. The end result is totally integral to the build and reflects the modern architectural style.”

Hazel Coomber, Brentwood

ABOUT HOME PLATFORM LIFTS

Home lifts are becoming ever more popular across the UK with people looking to future proof their homes, provide access for family and friends or just to make life easier on a day to day basis, helping taking items up and down such as the laundry, vacuum or suitcases.

Platform lifts lend themselves extremely well to residential applications as they come complete with their own shaft enclosure, requiring only a small footprint and with no pit or overrun. Being easily installed in just a few days generally with only a small amount of builders

and site preparation works required, helps keep projects cost effective. Using the latest technology and good design they provide a safe and reliable addition to your home helping to promote health and well-being.

HomeLift Access

ABOUT

The Gartec HomeLift Access has been designed for residential installations. Using our patented screw and nut technology, the lift is driven via an energy efficient electric motor, all of which is integral, therefore no separate machine rooms or pump boxes are needed. With multiple safety features and many customisations it's the perfect inclusion to any project giving your home the extra finishing touch

FEATURES

- Multiple lift sizes (see page 12)
- Shaft enclosure supplied with lift
- Glazed or solid shaft panels
- Doors on up to 3 different sides
- Single or double glass, half height gate or Fire rated doors available
- Safety edges around platform
- 50mm pit or ramp.
- Integral electrical cabinet

BENEFITS

- Optimal design and size with a wide range of finishes
- Made using up to 95% recyclable materials
- Energy efficient (low power usage)
- Patented screw/nut technology
- Low maintenance and operating costs
- Minimal building work & quick installation
- Self-contained unit (no separate machine room)



CONTROL PANEL



ABOUT

Fully lit, the control panel consists of destination buttons, an emergency stop button, an alarm button, a telephone or autodialer (optional), landing indicator (optional), max weight and number of people allowed.

CONTROL PANEL BUTTONS

32mm large buttons with text / numbers and braille. Optional extra large 50mm large buttons with text/ numbers and braille for enhanced accessibility.

EMERGENCY STOP BUTTON

An emergency stop button is fitted for emergency situations. The light will indicate if pressed down.

ALARM BUTTON

The alarm button can be used in emergencies, this can be connected to an external alarm sounder or autodialer (optional) for additional safety.

EXTERNAL ALARM SOUNDER

When the alarm button is pressed the external alarm sounder (optional) will give a loud signal outside the lift.

TELEPHONE / AUTODIALLER

A means of communication is required from inside the lift. As standard a telephone handset is fitted on the platform below the control panel and is connected to the landline coming into the property. Any number can be dialled.

The autodialler is integrated in the control panel

and also connects to the land line, it can be pre programmed with up to 5 numbers. By pressing the alarm button for 10 seconds it will call out to the programmed numbers. When unanswered, the next number is called. If a landline is not available a GSM unit can be supplied for both options (sim by client).

HANDRAIL

With integrated LED lights, lighting up the floor, the handrail has a glossy surface to protect against wear and tear. It comes painted in RAL 9016 Traffic White as standard, when the platform is ordered in another colour than the standard the handrail will be painted in grey (Anodic colour Natura).

LANDING INDICATOR

A digital display positioned at the control panel shows the floor the lift is on. Here additional safety information can be displayed such as, battery warnings, a bell when the alarm button has been pressed, number of starts and total run time since installation, a weight symbol, and a fire symbol when connected to the buildings fire alarm (optional).

KEY SWITCH ON PLATFORM

An optional key switch can be located on the control panel will lock the platform buttons prohibiting unauthorized use, this can be connected to either all destination buttons or to only one destination button.



“ Our experience with Gartec was good, Gartec were informative, friendly and professional, offering a quick turnaround using a high-quality lift solution. It was important to have lifts within each of the four townhouse due to them being four storey and also one that would complement the design and quality of the rest of the houses. The Gartec lifts offered this and only required a short installation period carried out by two friendly engineers. I am pleased with the overall look of the lifts installed and they will contribute to the townhouses being desirable to a bigger market. We look forward to working together again.”

Keith Perfect, Project Manager for Bellwood Homes

OPTIONS & ADDITIONS

ABOUT

We have a wide range of options and features available to suit your project, from buttons and different doors, to colours and floor finishes. With over 25 years of history, we have worked with hundreds of companies finding the right lift solution that's perfect for each project, matching our lifts to brand colours or colour schemes, and finishes to compliment the building, we have a lift for every project and options and additions for you to choose from below.

DOOR CONTROL



LANDING CALL STATION

Standard call button placed on door frame. Back light in red and green for arrival indication.



KEY LOCKING

A key can be used to call and use the lift instead of a button to restrict access. The doors lock 10 seconds after closing.



PUSH BUTTON & KEY SWITCH

The key can be used to lock on/off the call button preventing unauthorised use.



REMOTE CALL STATION

Mounted away from the lift, either flush or surface mounted. Allows the user to call the lift whilst away from the doors.

DOORS



GL DOOR & CONCEALED CLOSER

Single swing glass & steel door with concealed closer and aluminium trim to glass areas.



DOUBLER HINGED DOORS

Double swing glass & steel door with concealed automatic opener /closer and aluminium trim to glass areas.



FIRE DOOR

60-minute fire & smoke protection. Includes concealed door closer and aluminium trim to glass areas. PLEASE NOTE: A fire rated shaft to be created around our enclosure.



HALF HEIGHT GATE (TOP FLOOR)

Includes concealed door closer and aluminium trim to glass areas. Maximum travel height 3m



AUTOMATIC DOOR OPENER

Press the button on the landing call station and the lift door opens. Internal on the GL and Double doors and externally mounted on the Fire door.



FAAC DOOR OPENER

Externally mounted on the door it open and closes the door automatically. Integral sensors detect obstructions and reverse the door motion.

ACCESS

THRESHOLD AND RAMP

For all lifts without a 50mm pit a door threshold in oak is delivered with the lift. A ramp can be supplied for easier access to the lift. The ramp is made of galvanized steel and painted in RAL 9016 (Traffic white). If the shaft is painted in another RAL colour the ramp will be painted in the same colour. It is also possible to order the threshold and ramp with a corrugated aluminium finish.



OPTIONS & ADDITIONS



WALLS & SHAFT



GLAZING TINTS (DOORS & SHAFT)
For doors and shaft, clear glass (JT0) comes as standard, or optional tinted glass (JT16) can be selected.



SHAFT PANEL COLOURS
Shaft panels are painted in 9016 (Traffic White) as standard. The common range shown to the right can be applied to shaft panels, console wall, door blades and door frames.

HANDLES



DOOR HANDLES
As standard they are painted in grey, Anodic Natura, that looks like aluminium. For lifts ordered with door blades in standard colour RAL 9016 (Traffic white) it is possible to order the door handles in the same colour as an option. Both the grey and white door handles will have a glossy surface to protect them from wear and tear and from getting dirty.

STANDARD RAL COLOUR RANGE

The Gartec HomeLift Access is painted in Traffic White RAL 9016 as standard. The lift, doors, walls and console can all be selected in another colour as desired. The common colours are below but most of the 213 colours from the RAL K7 Classic chart can be chosen.

Traffic white RAL 9016 <small>*STANDARD COLOUR</small>	Pure white RAL 9010	Grey white RAL 9002
Oyster white RAL 1013	White aluminium RAL 9006	Light ivory RAL 1015
Telegrey 1 RAL 7045	Moss green RAL 6005	Anthracite grey RAL 7016
Brown red RAL 3011	Jet Black RAL 9005	PLEASE NOTE: The actual colour of the lift may differ from the colour samples pictured.

OPTIONS & ADDITIONS



PLATFORM & SEATING



HALF HEIGHT CONSOLE

Standard option. Half height panel houses the controls and handrail, with safety edge. Total Height: 1100mm



FULL HEIGHT CONSOLE WITH MIRROR

Full height panel (optional) houses controls, large mirror, LED lighting, handrail and safety edge. Total Height: 2000mm

HANDRAIL



Handrail comes painted in Traffic White (RAL 9016) as standard. Grey (Anodic colour Natura) optional if platform is painted to an optional colour. LED lighting built in projecting down to the floor, (also acts as emergency backup lighting).



DROP DOWN SEAT

Fold down seat (optional) in solid birch, with chromed brackets, folded up manually after use.

LIGHTING

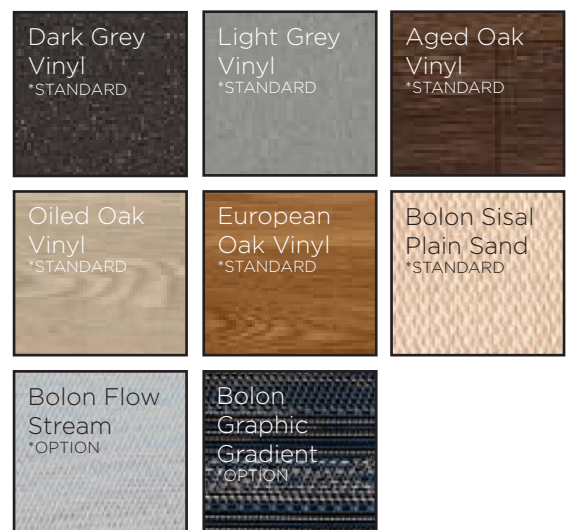


CEILING LED DOWNLIGHTS

Built in LED strip downlights as standard.

FLOORING

Choose from the following options for vinyl (standard), or Bolon (optional) flooring. It is possible to order the lift without a flooring which enables you to put in your own flooring (maximum thickness of an externally selected floor is 3mm).

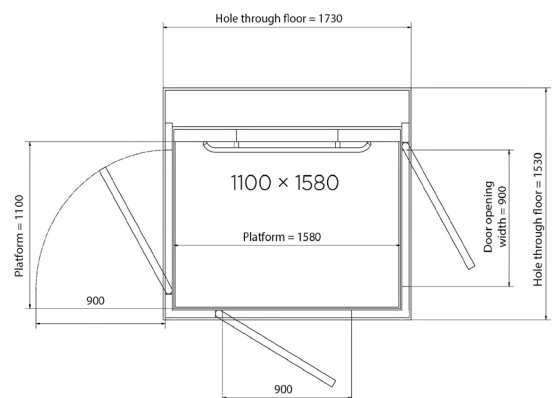
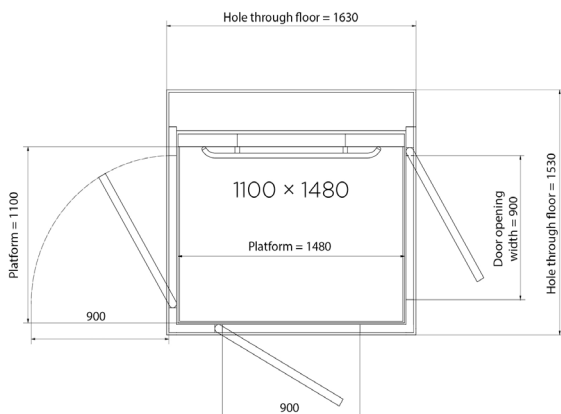
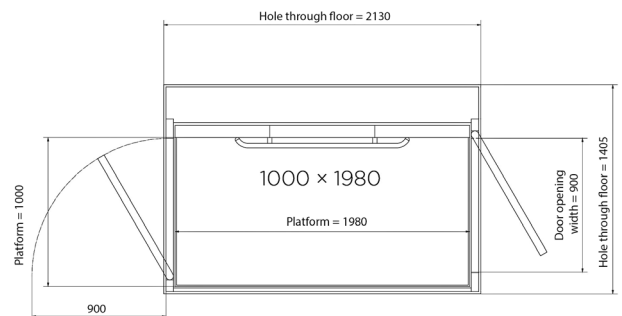
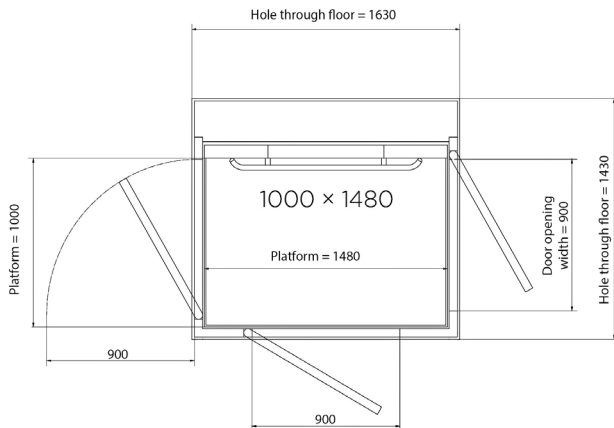
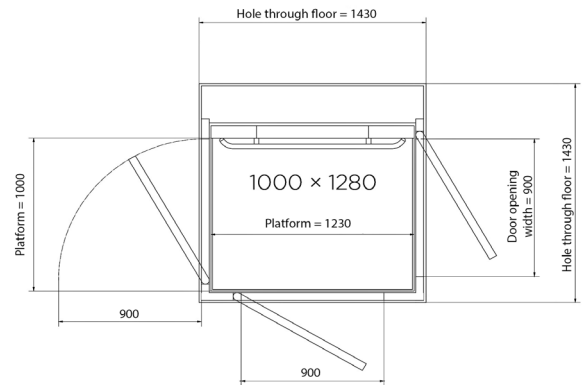
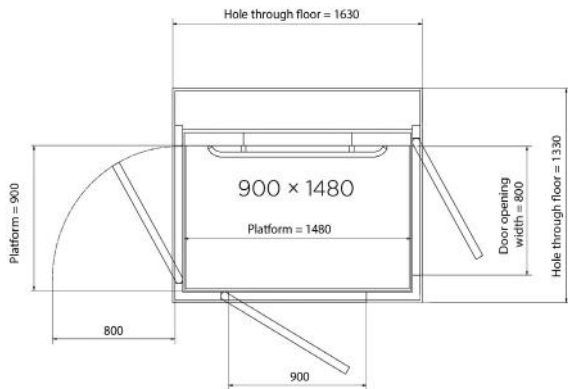
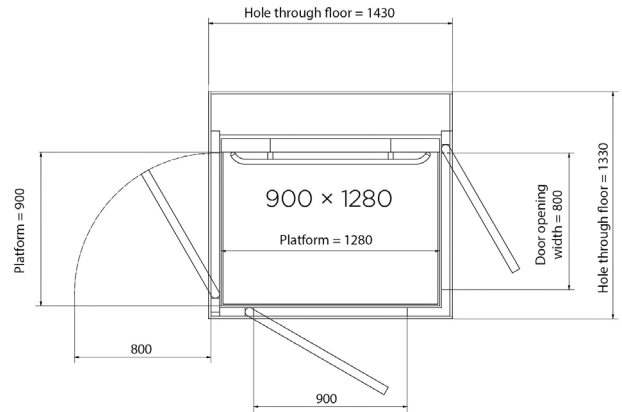
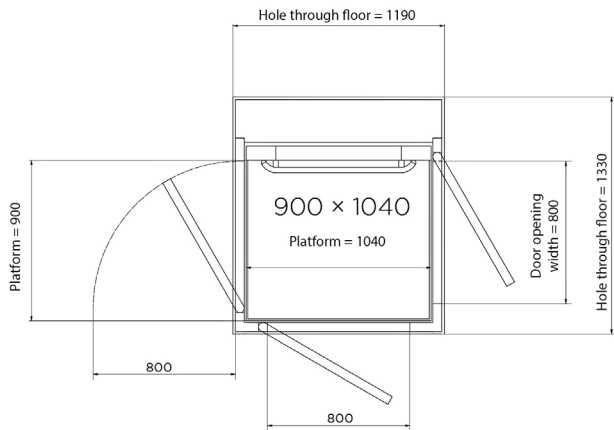




We turned to Gartec, and their innovative moving floor design. It was an attractive and successful option taking only 6 days to fit, and more environmentally friendly as it uses significantly less energy than a conventional lift. . The safety features include a remote lock and a Smartapp operation from an iPhone, so parents can ensure no trapped fingers or ‘junior joyriding’ – perfect for a family house. We have been impressed with both the product and professional installation, and would certainly consider Gartec again for another Octagon home.”

Anton Dummer, Development Surveyor for Octagon Developments

DIMENSIONS



TECHNICAL DETAILS

Type of Lift	Passenger & light goods enclosed platform lift intended for use in residential environments
Compliance	European Machine directive 2006/42/EC European standard EN 81-41
Drive System	Patented screw/nut system
Rated Speed	Max 0,15m/s
Travel Height	250mm - 13,000mm
No. Floors	2-6
No. Doors per floor	Max. 2 doors per floor
Pit / Ramp	50 mm (no pit is required when there is a ramp)
Entry	One, two or three sides
Top Height	2240 mm (2140 or 2040mm possible with special high doors) 1100-1600 mm with half height gate (travel < 3000mm)
Platform Controls	Hold to run, the destination button must be kept pressed down during the whole ride
Landing Controls	One touch call, single press operation
Environment	Internal
Emergency Lowering	Battery operated emergency lowering
Control Voltage	24V
Motor	2.2kW
Door Locking system	Electrically operated deadlock
Power Supply	1-phase 230V 50 Hz 20 A type C MCB 3-phase 400V 50 Hz 20 A type C MCB
Rated Load	410 or 500 kg (dependent on platform size)
Enclosure	Solid panels or glass (optional)
Doors	GL Full height door as standard EI60 fire doors (optional), half height available (under 3000mm travel only)

DIMENSIONS

Platform Size	Rated Load	Structural Opening*
900 x 1040mm	250KG	1330 x 1190mm
900 x 1280mm	410KG	1330 x 1430mm
900 x 1480mm	410KG	1330 x 1630mm
1000 x 1280mm	410KG	1430 x 1430mm
1000 x 1480mm	410KG	1430 x 1630mm
1000 x 1980mm	500KG*	1405 x 2130mm
1100 x 1480mm	410KG/500KG*	1530 x 1630mm
1100 x 1580mm	500KG*	1530 x 1730mm

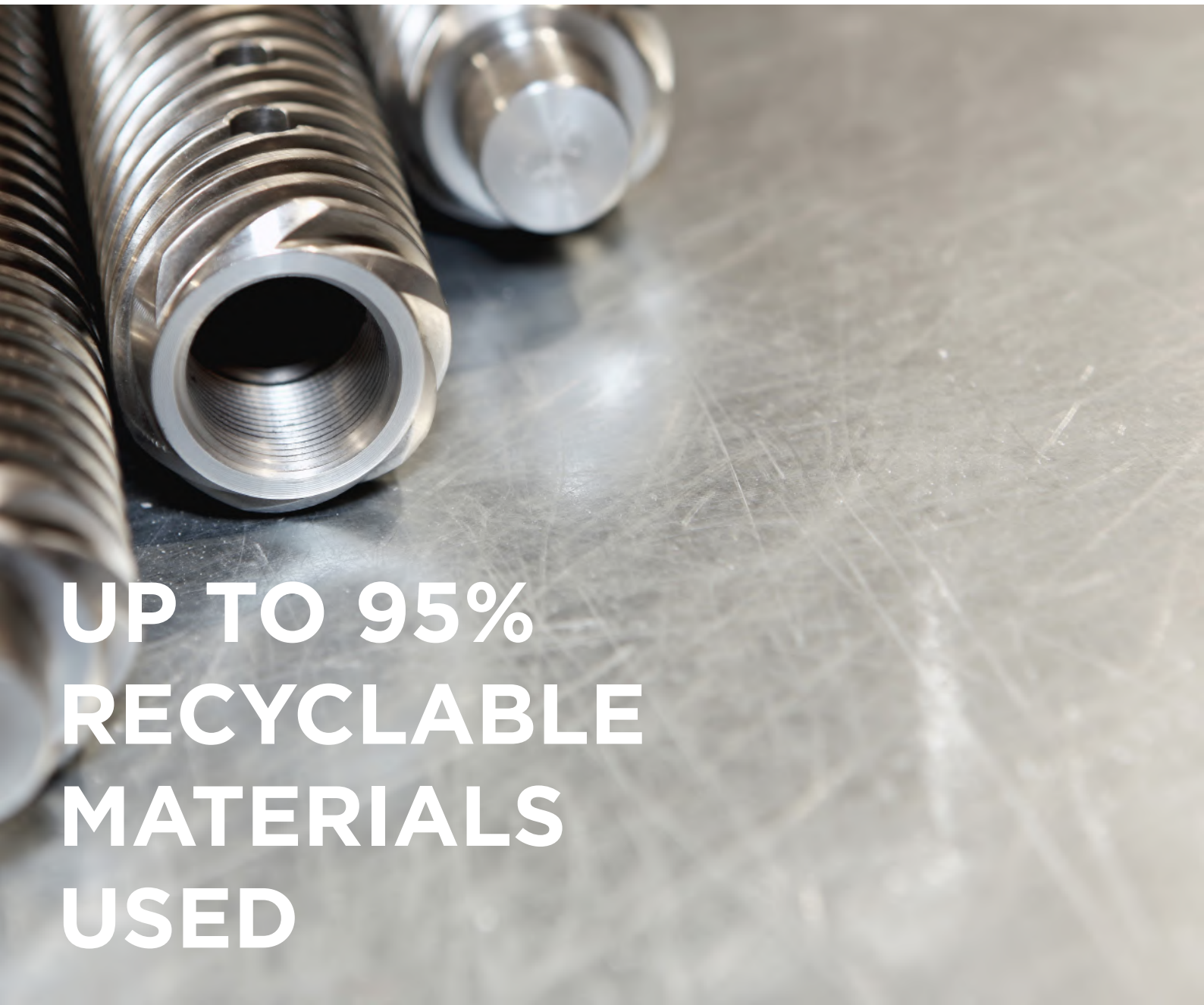
* Please note that a 3Phase power supply is required for 500KG lifting capacities

SUSTAINABILITY

Using steel, aluminium, glass and as little plastic as possible allows for recyclability of almost all the materials that are needed to manufacture Gartec lifts, with up to 92% of the materials used already from recycled and sustainable sources. All that is left which is non-recyclable are parts of the electrical cable system and the battery. Aritco, our parent company are constantly developing our lifts and as battery technology changes, our lifts will be developed to incorporate recyclable batteries.

With rigorous development to achieve maximum recyclability and the forward thinking on materials, manufacturing processes and new technology we are always looking to provide the most eco-friendly lift solutions. We are proud that every step taken from Design to Installation, sustainability and energy efficiency has been factored into the process.

When considering energy efficiency in your building design, Gartec lifts are powered by a 2.2kw motor which uses less energy than a standard domestic kettle or hairdryer. Similarly, the low-energy LED lighting and display components all contribute to a more sustainable and greener solution.

A close-up photograph of several metal threaded components, likely parts of a lift system, resting on a metal surface. The components are cylindrical with threaded ends and are arranged in a row. The lighting is dramatic, highlighting the metallic texture and the precision of the manufacturing.

**UP TO 95%
RECYCLABLE
MATERIALS
USED**



“I would like to say that everyone at Gartec has been very helpful. The lift is my lifeline and enables me to live here.” *Barbara, Stourbridge*

UK'S LEADING SUPPLIER OF HOME PLATFORM LIFTS

CONTACT US:

T: 01296 397100

E: sales@gartec.com

W: www.gartec.com



GARTEC LIFTS
HOME DESIGNED
FOR LIFE