

# MEA TOPSLOT

VERSATILE  
STURDY  
ELEGANT



**DISCRETE AND ELEGANT DRAINAGE SYSTEM**

MEA TOPSLOT FOR MEARIN AND MEADRAIN DRAINAGE CHANNELS

# MEA TSH TOPSLOT ELEGANT DRAINAGE SOLUTION WITH HIGH FUNCTIONNALITY

## MEA TSH TOPSLOT

In addition to its simple elegance, the MEA TSH system offers a large array of advantages during and after installation.

The MEA TSH Topslot system has been designed for loading classes from A 15 to E 600. The system can also be upgraded to loading class F 900 on request. Beyond the standard height of 160 mm, the MEA TSH system can be delivered in very cost effective custom heights for specific pro-

jects. The flush positioned external contours simplify the paving.

The special, extra thick, zinc coating of the TSH TOPSLOT guarantees maximum functional reliability and best possible resistance to corrosion. The TSH system is also available in stainless steel for making it a unique and longlasting design solution for drainage purposes.







**The advantages**

- ✓ Available in clear widths 100, 150 and 200 mm, as well as in 300 upon request
- ✓ Suitable for drainage channel systems MEARIN and MEADRAIN
- ✓ Usable neck height: 160 mm (Special heights upon request)
- ✓ Constructive length 500 or 1000 mm
- ✓ Loading classes A 15 to E 600 (F 900 upon request)
- ✓ Die-cast grating made of nodular cast iron EN-GJS-500-7
- ✓ TOPSLOT made of galvanised steel or stainless steel, material thickness 1.5 mm
- ✓ Control and maintenance element made of galvanised steel or stainless steel, material thickness 6 mm
- ✓ Control and maintenance element with continuous slot (CW 100/150 mm for paving - in clear widths 200 and 300 mm with grating)

**SIMPLE  
YET GENIUS  
COMBINATION**





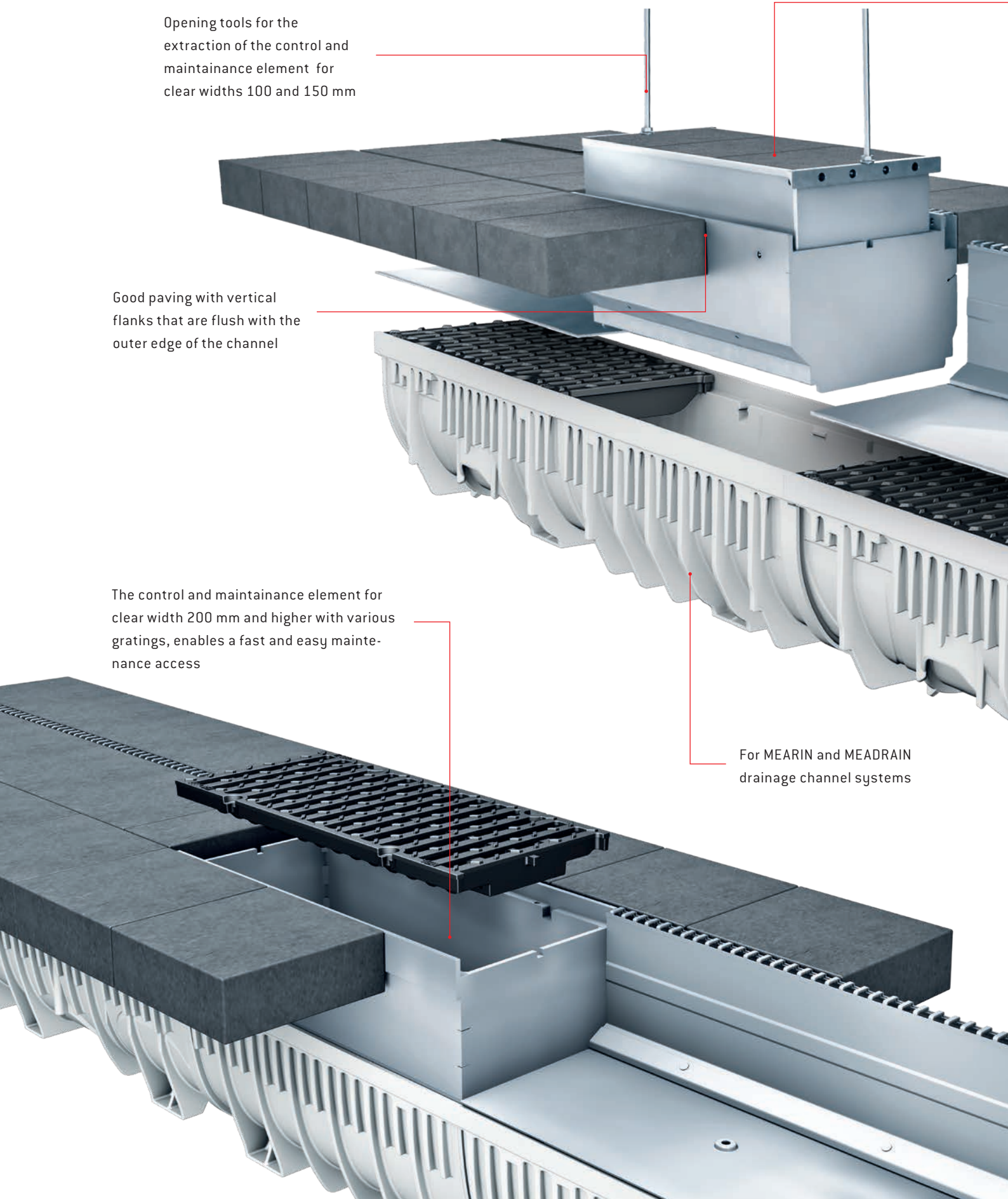
# MEA TSH SYSTEM OVERVIEW

Opening tools for the extraction of the control and maintenance element for clear widths 100 and 150 mm

Good paving with vertical flanks that are flush with the outer edge of the channel

The control and maintenance element for clear width 200 mm and higher with various gratings, enables a fast and easy maintenance access

For MEARIN and MEADRAIN drainage channel systems



The control and maintenance element for clear widths 100 and 150 mm for individual paving solutions with removable inner part

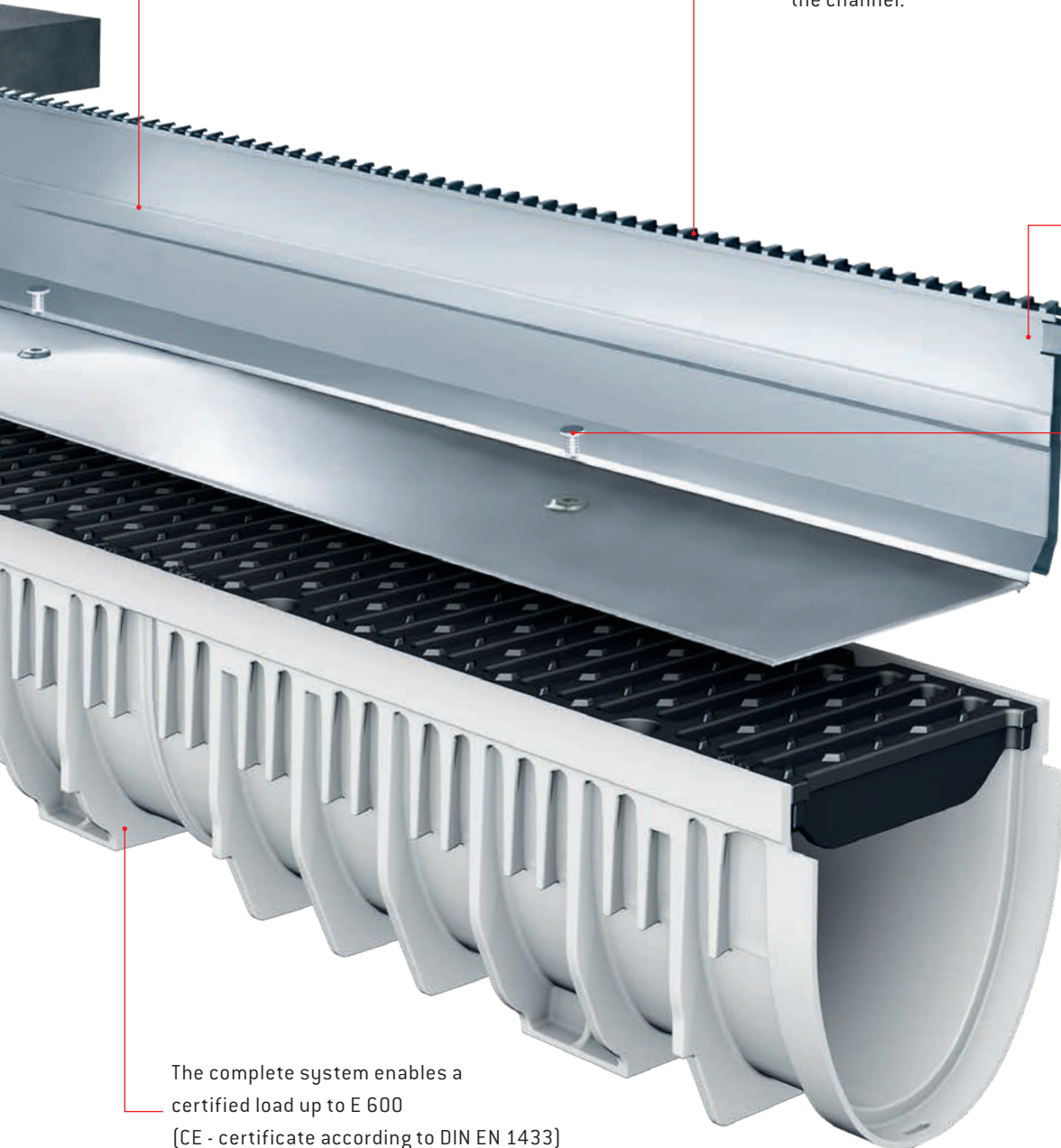
Long service life due to high-quality hot-dip galvanising with a high layer thickness

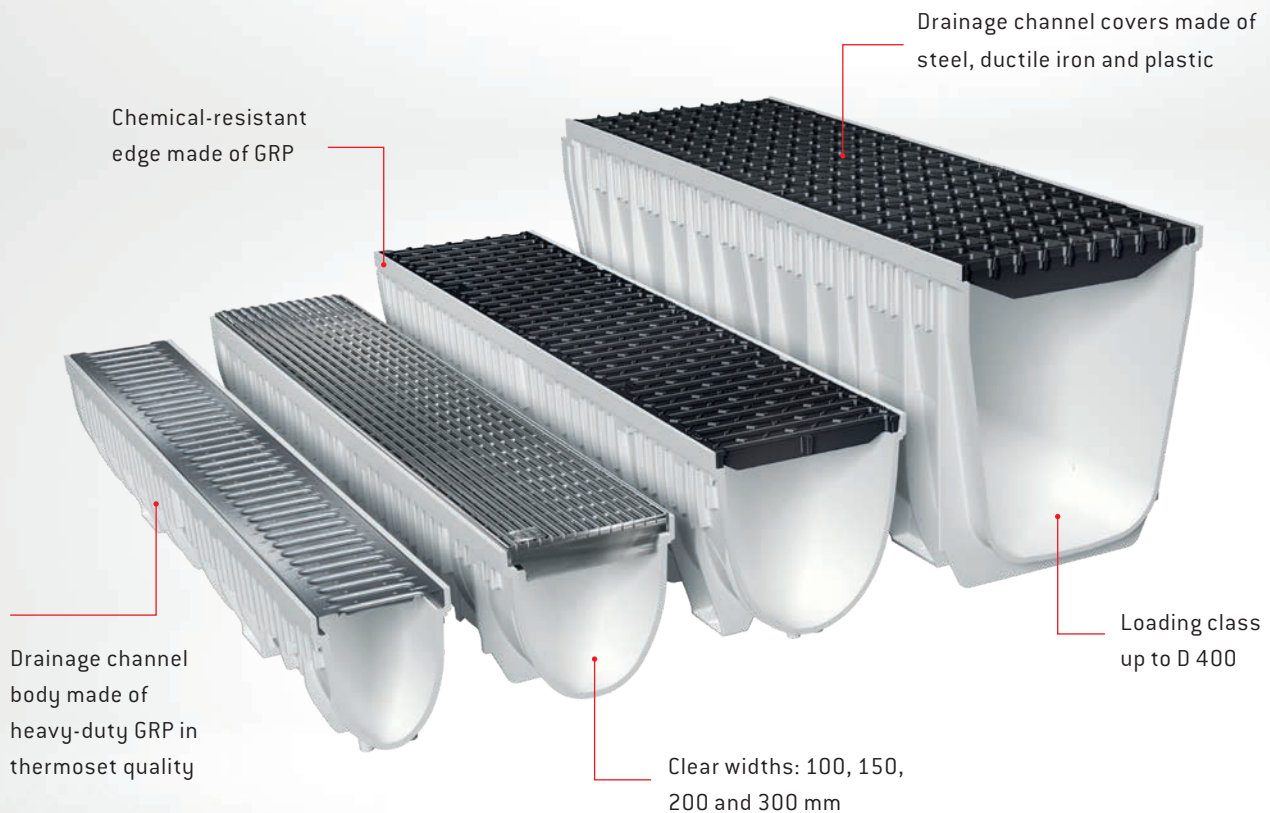
Architecturally attractive design with a continuous slot design and inconspicuous joint. The narrow slot replaces the grate and ensures rapid and safe drainage of the surface water. An intelligent slot design with transverse webs at the in-feed reduces the ingress of dirt build-up in the channel.

Individual solutions with regard to neck height and loading class

Quick fasteners/connectors fix the TOPSLOT to the grating, centering studs speed up the installation

The complete system enables a certified load up to E 600 [CE - certificate according to DIN EN 1433]





## MEARIN PLUS DRAINAGE SYSTEM WITH GRP EDGE (D 400)



MEARIN PLUS 200  
WITH GRP EDGE AND  
MEA TSH TOPSLOT

### MEARIN PLUS

For applications in gardening and landscaping, as well as in urban areas:

- ✓ Drainage channel body and edge completely made of GRP (highly stable, glass-fibre-reinforced composite material)
- ✓ Available in clear widths 100, 150, 200 and 300 mm
- ✓ Covers made of steel, cast iron and plastic
- ✓ Areas of application: public places, parking lots, gardening and landscaping
- ✓ Loading class up to D 400



# MEARIN EXPERT DRAINAGE SYSTEM WITH STEEL EDGE PROTECTION (E 600)

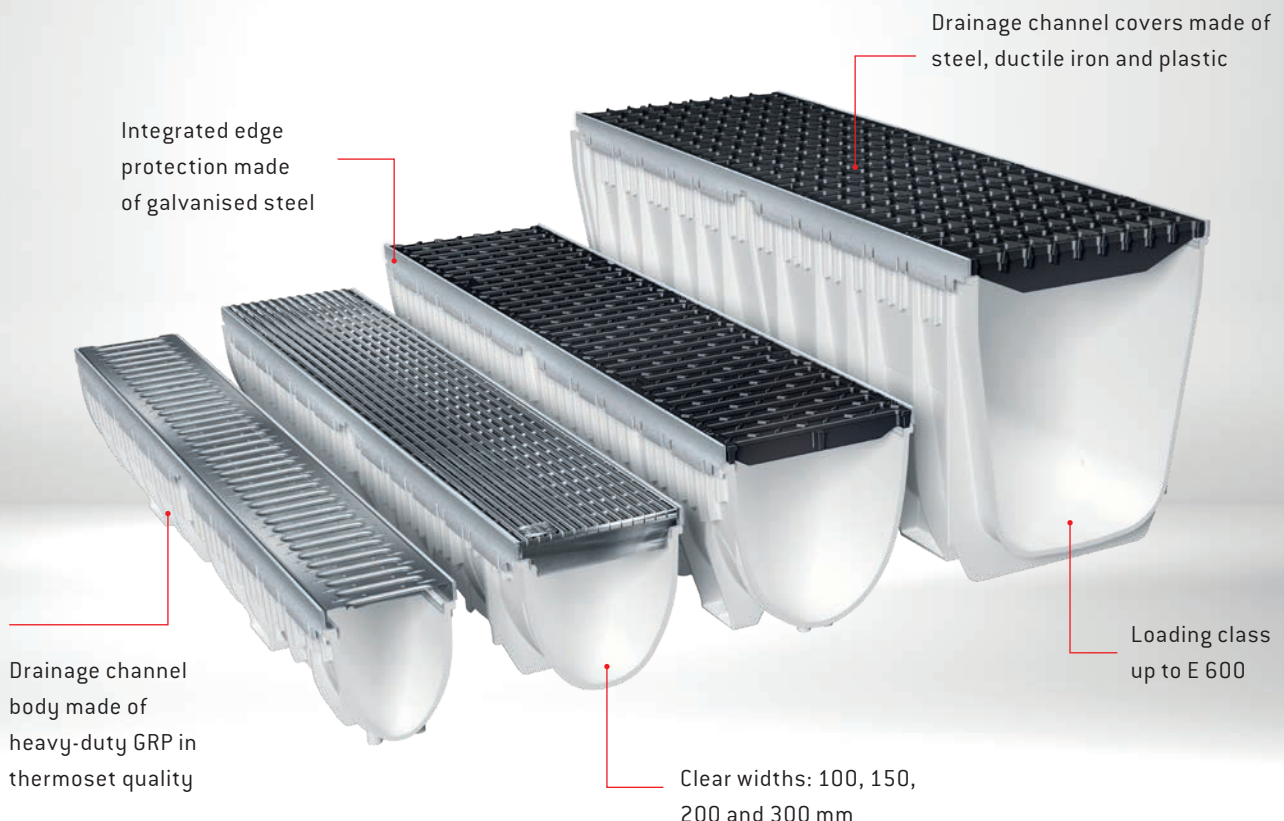


MEARIN EXPERT 200 WITH  
INTEGRATED EDGE PROTECTION  
MADE OF STEEL AND  
MEA TSH TOPSLOT

## MEARIN EXPERT

For applications in urban areas, on traffic routes and in industrial areas:

- ✓ Drainage channel body made of GRP (highly stable, glass-fibre-reinforced composite) with tightly integrated edge protection made of galvanised steel for high loads
- ✓ Available in clear widths 100, 150, 200 and 300 mm
- ✓ Covers made of steel, cast iron and plastic
- ✓ Areas of application: leisure facilities, industrial areas, workshops, streets and roads
- ✓ Loading class up to E 600



Integrated edge protection made of galvanised steel

Drainage channel covers made of steel, ductile iron and plastic

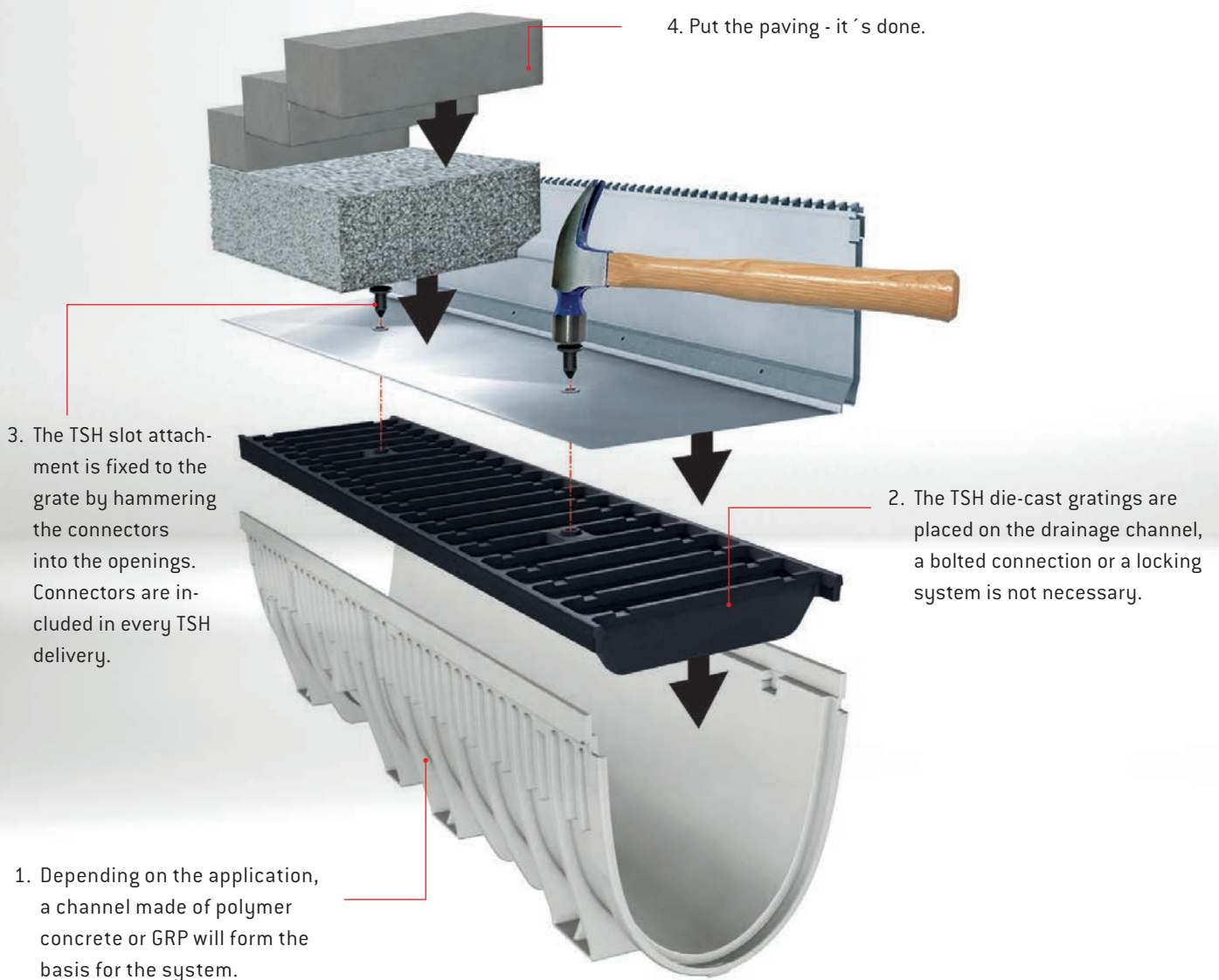
Drainage channel body made of heavy-duty GRP in thermoset quality

Loading class up to E 600

Clear widths: 100, 150, 200 and 300 mm

# SIMPLE AND FAST ASSEMBLY

The installation of the TSH system is simple and uncomplicated, only a hammer and the special TSH connecting elements are required.









# MAINTENANCE AND CARE

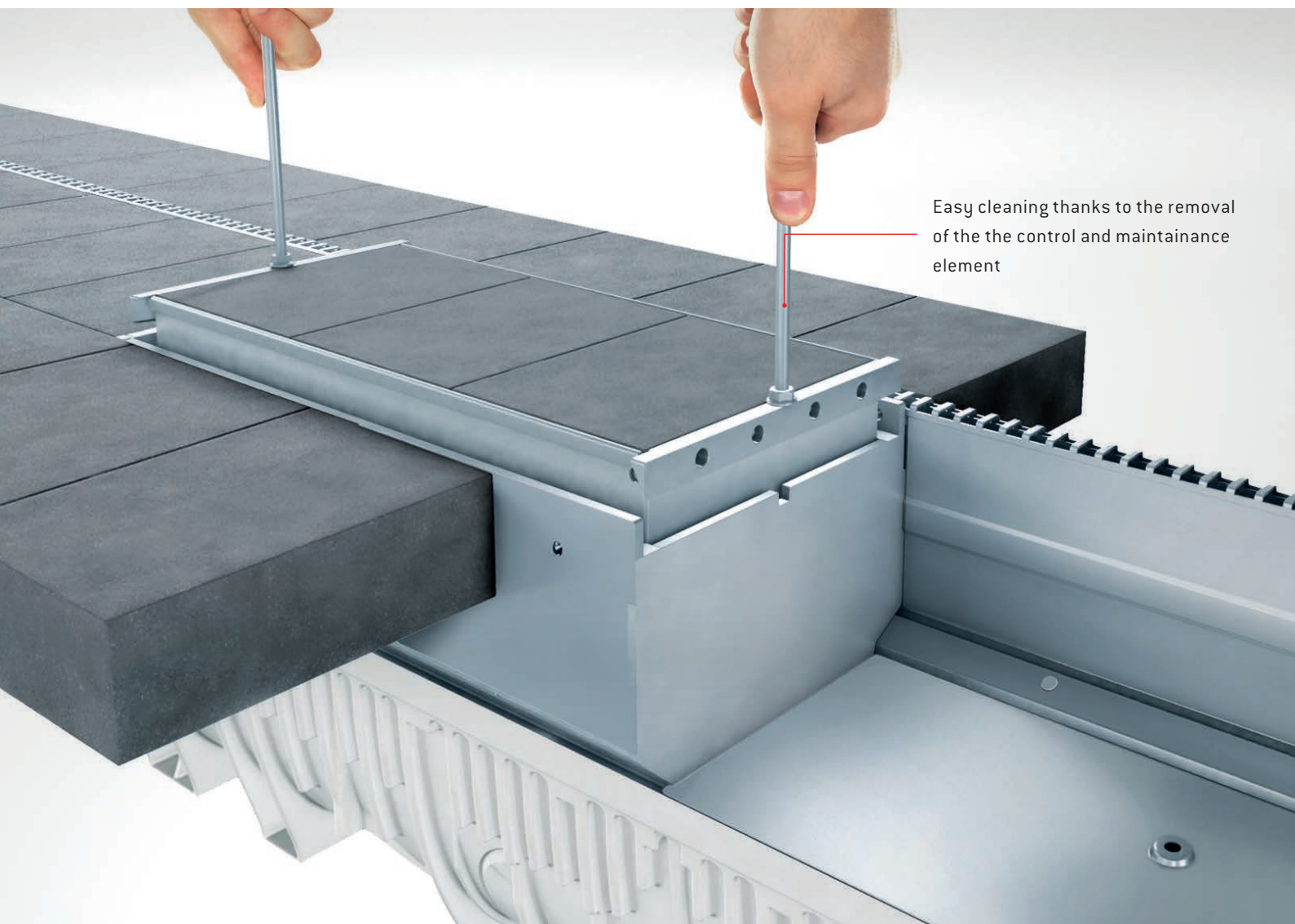
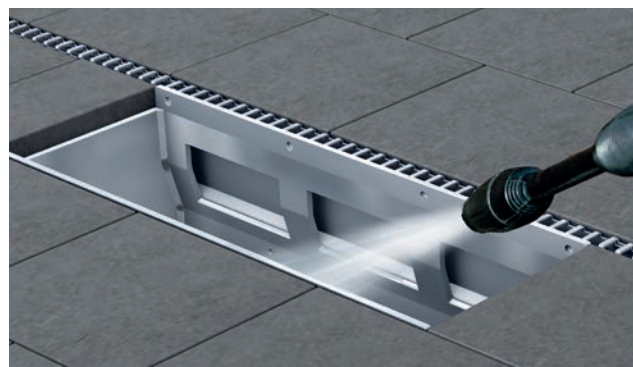
## CLEAR WIDTHS 100 AND 150 MM

### Control and maintenance element with paving of the inner shell

For the opening and maintenance of the system 2 TSH opening tools are required.

- ✓ The control and maintenance element consists of an inner and outer shell. The inner shell is paved out. If an inlet box is provided in the application, the inspection element can of course be placed on top of it.
- ✓ To open the inspection element, insert the opening tools into the prefabricated openings at the beginning and end, and tighten them. Then lift the inner shell out of the outer shell using the tools.

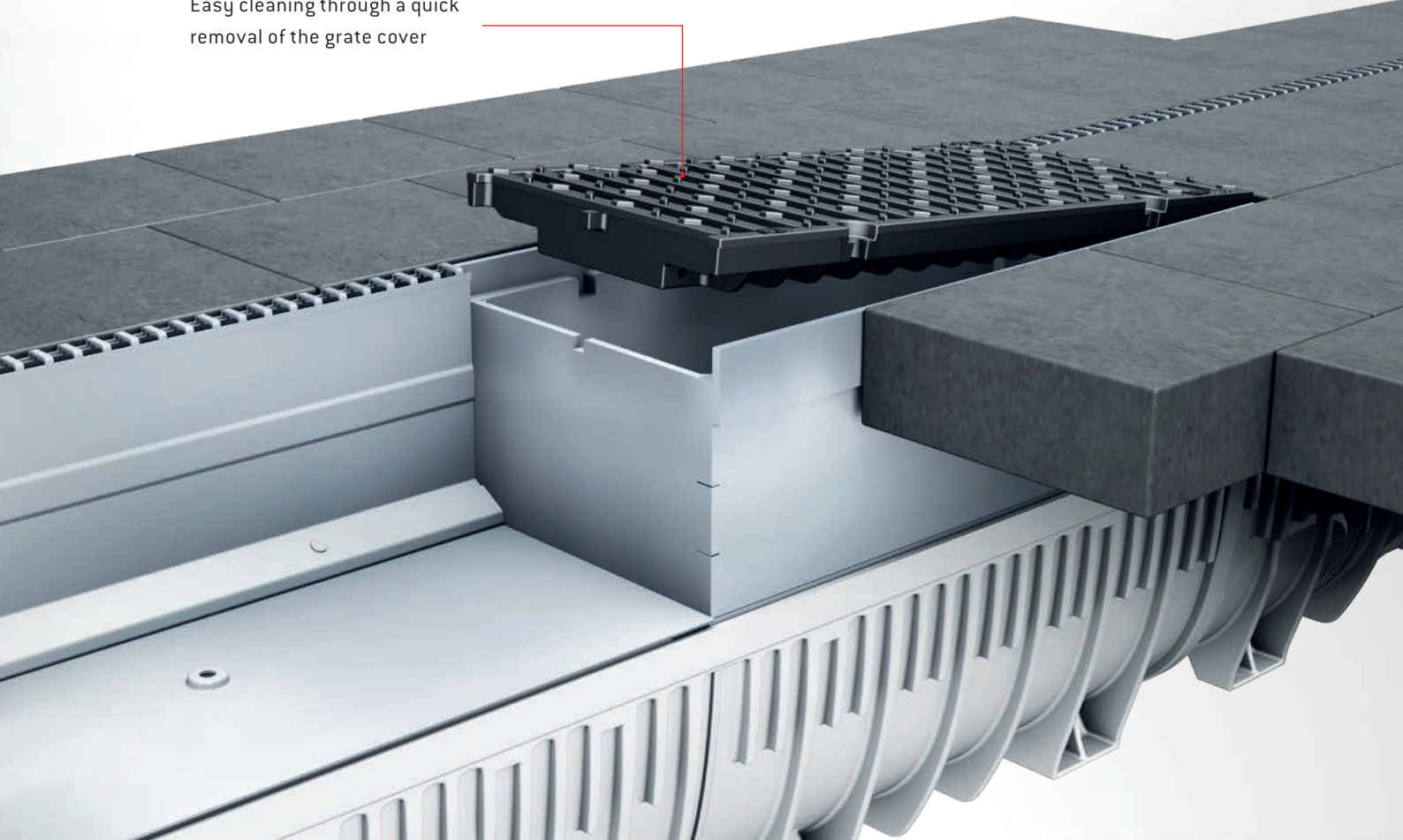
- ✓ The system can now be inspected or flushed. If the inspection part is mounted on an inlet box, the sediment bucket can be removed and cleaned.



Easy cleaning thanks to the removal of the the control and maintenance element



Easy cleaning through a quick removal of the grate cover



## MAINTENANCE AND CARE CLEAR WIDTHS 200 MM AND WIDER

### Inspection element with grating cover

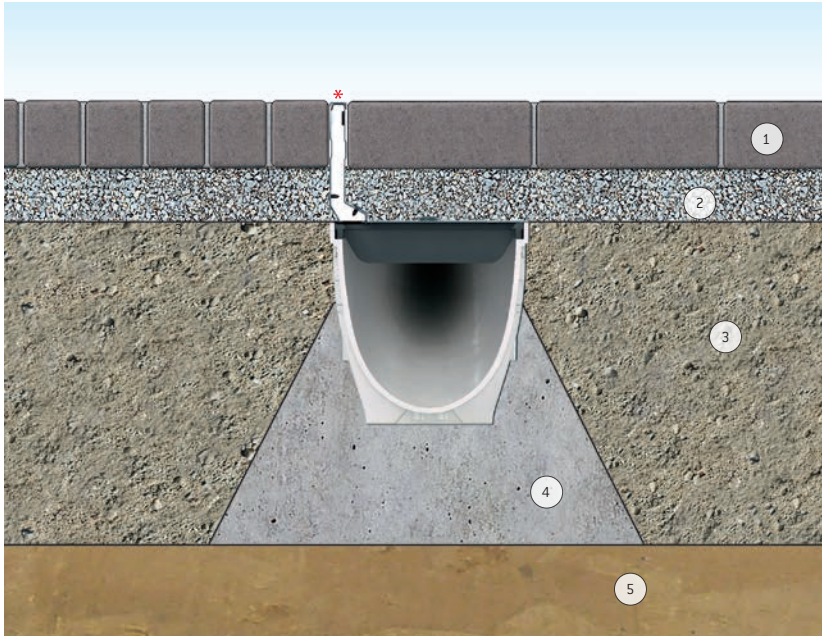
Ratchet wrench is required to open and maintain the system.

- ✓ The one-piece control and maintenance element is covered with a ductile Iron 4 point bolted grating. If an inlet box is provided in the application, the inspection element can of course be placed on top of it.
- ✓ Removal of the grate:  
Bolted fixation: with a 16 mm socket wrench loosen the 4 bolts and remove the grating.
- ✓ The system can now be inspected or flushed. If the inspection part is mounted on an inlet box, the sediment bucket can be removed and cleaned.



# INSTALLATION INFORMATION

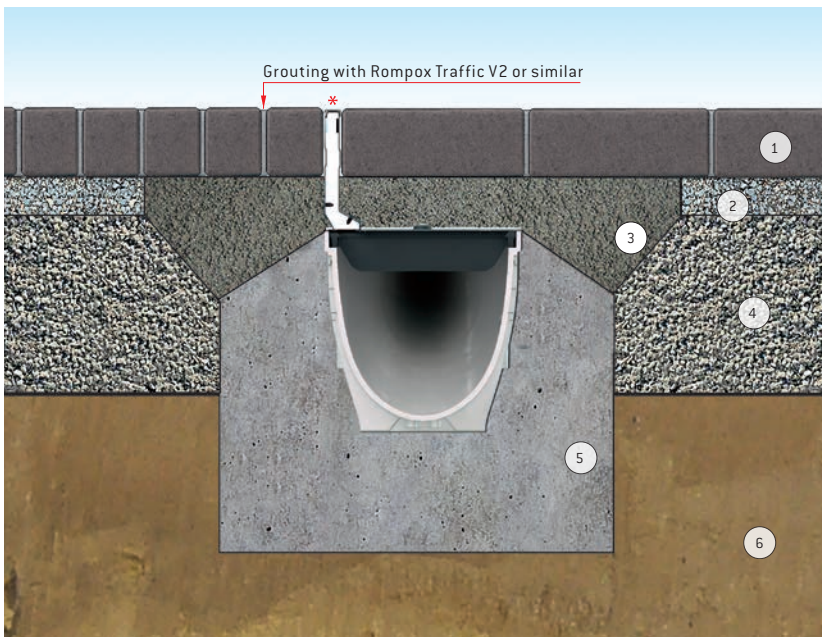
## MEA TSH Topslot installation example for loading class A 15



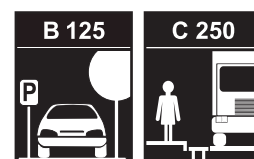
- 1- Paving or pavement
- 2- Paving bed
- 3- Paved base layer
- 4- Concrete C 12/15
- 5- Grown soil



## MEA TSH Topslot installation example for loading classes B 125 and C 250



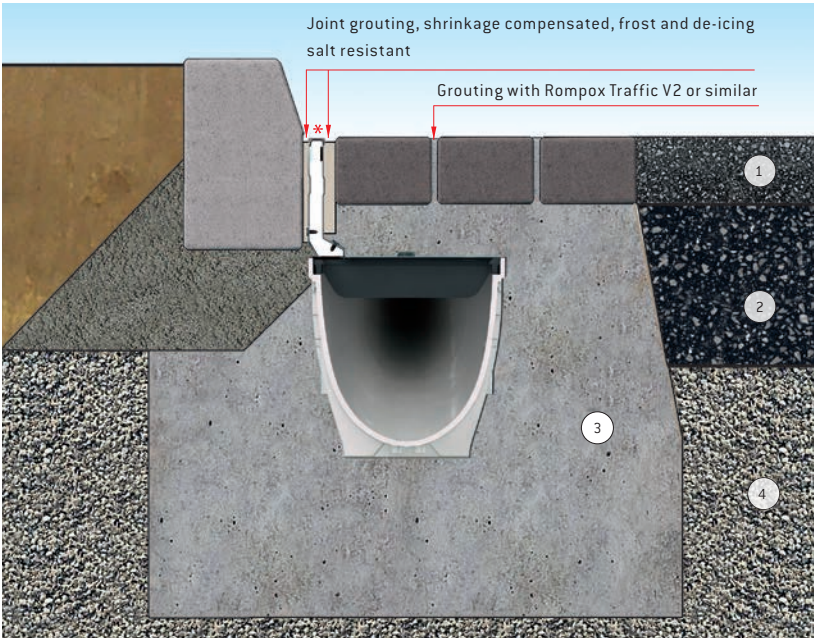
- 1- Paving or pavement
- 2- Paving bed
- 3- Mortar bed paving
- 4- Gravel/gravel base layer
- Design according to RSt0
- 5- Concrete C 20/25
- 6- Grown soil



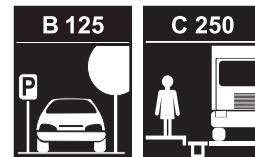
\* The webs of the inlet slots must be 3-5 mm below the edge of the paving.



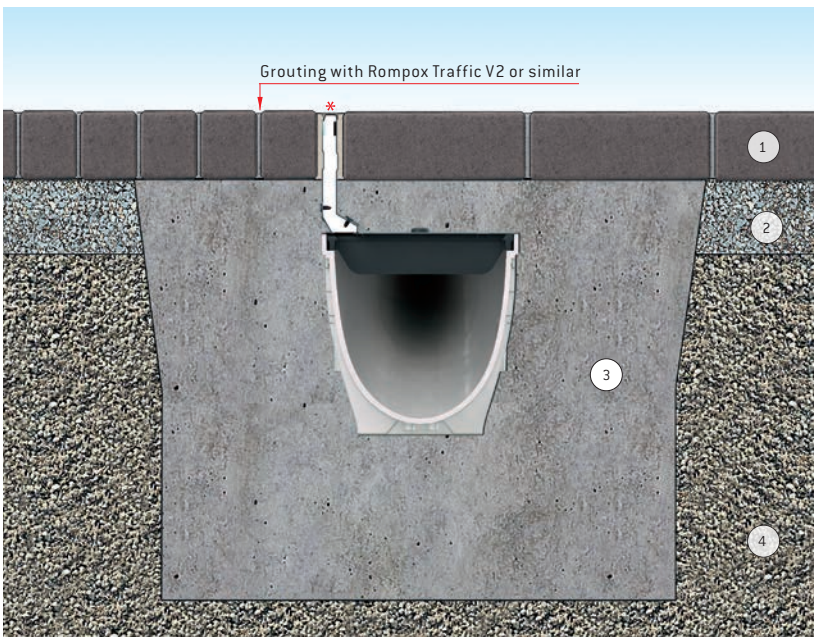
**MEA TSH Topslot installation example for loading classes B 125 and C 250**



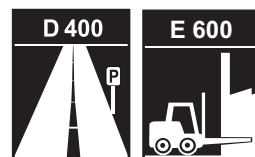
- 1- Asphalt surface layer
  - 2- Asphalt base layer
  - 3- Concrete C 20/25
  - 4- Gravel/gravel base layer
- Design according to RSt0



**MEA TSH Topslot installation example for loading class D 400 and E 600**

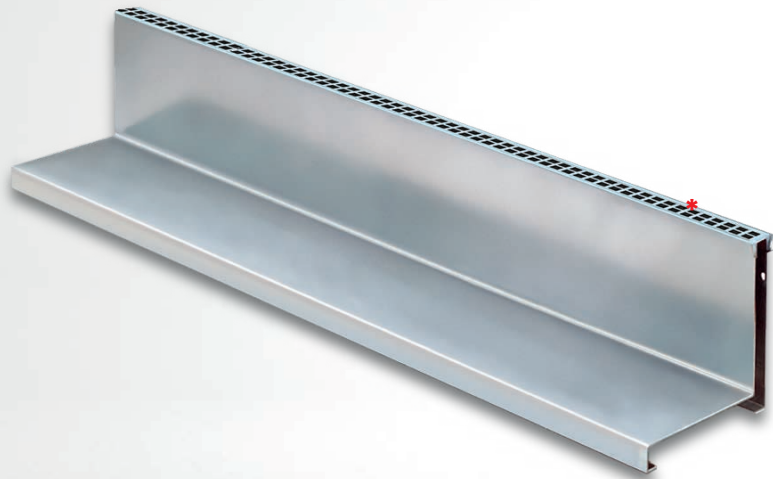


- 1- Slabbed surface
  - 2- Paving bed
  - 3- Concrete paving bed C 25/30
  - Reinforcement according to static requirements
  - 4- Gravel/gravel base layer
- Design according to RSt0



\* The webs of the inlet slots must be 3-5 mm below the edge of the paving.

# MEA TSL FOR POLYMER CONCRETE OR GRP CHANNELS



## Advantages

- ✓ Length: 1000 mm
- ✓ Slot attachment for MEARIN PLUS 100 and MEARIN EXPERT 100
- ✓ Also for drainage channel systems: MEADRAIN S and EN with clear width 100 mm

\* Dirt trap grating optional

# MEA TSC MADE OF PLASTIC WITH A BOLTLESS GRATING PROTECTION



## Advantages

- ✓ Plastic TOPSLOT
- ✓ Also for drainage channel systems MEAHOME PLUS, MEARIN PLUS and EXPERT, MEADRAIN S, clear width 100 mm
- ✓ Length: 500 mm
- ✓ Clear width: 100 mm
- ✓ Boltless grating fixation for MEAHOME PLUS and MEARIN PLUS 100
- ✓ Not lockable for: MEARIN EXPERT 100 MEADRAIN SV/SE/SG 1000





PEDESTRIAN AREAS



PUBLIC PLACES

# MEA SLOT ATTACHMENTS APPLICATION AREAS



STAIRS



INDUSTRIAL FACILITIES



BARRIER-FREE BUILDING REQUIREMENTS



TERRACES



**BUILDING SUCCESS**

MEA Bautechnik GmbH / Sudetenstraße 1 / D-86551 Aichach / [www.mea-group.com](http://www.mea-group.com)  
Business unit MEA Water Management