

MEADRAIN EN POINT DRAINAGE

A 15, B 125, C 250, D 400*, E 600*, F 900* nominal width 100 / 300

MATERIAL CHARACTERISTICS

POLYMER CONCRETE	on a Polyester resin basis, with mineral fillers, additives
COMPRESSIVE STRENGTH	≥ 90 N/mm ²
BENDING STRENGTH	≥ 22 N/mm ²
ELASTICITY MODULE	25,000 – 35,000 N/mm ²
DENSITY	2,1 – 2,3 kg/dm ³
COEFFICIENT OF LINEAR EXPANSION	Approx. 1.45 x 10 ⁻⁵ 1/K
HEAT RESISTANCE	100°C continuous load, up to 200°C with a load duration up to 5 min.
FROST RESISTANCE	- 50 °C
WATER PENETRATION LEVEL	0 mm
WATER ABSORPTION	< 0,05% DIN 52 103 (A)
MATERIAL STRUCTURE	Capillary free

PURPOSE OF USE

Component for the point drainage of surfaces in order to collect, transport and discharge rainwater from adjacent fixed surfaces.

DESIGNS

/ Length 520 mm

EDGE PROTECTION

- / Cast iron
- / Edge thickness 7mm

ACCESSORIES

- / Sediment bucket short bottom part with connection piece Ø 160mm
- / Sediment bucket short bottom part with connection piece Ø 200mm
- / Sediment bucket deep lower part with mouldings for Ø 160mm and Ø 200mm
- / Sediment bucket intermediate part for a constructive height extension
- / Sludge bucket short (for sediment bucket consisting of Sediment bucket upper part and sediment bucket lower part)
- / Sludge bucket long (for sediment bucket consisting of Sludge bucket upper part with intermediate part and sediment bucket lower part)
- / Grates for point inlet

* As of class D 400, not suitable for diagonal or lateral cross-travel in the area of express roads and motorways

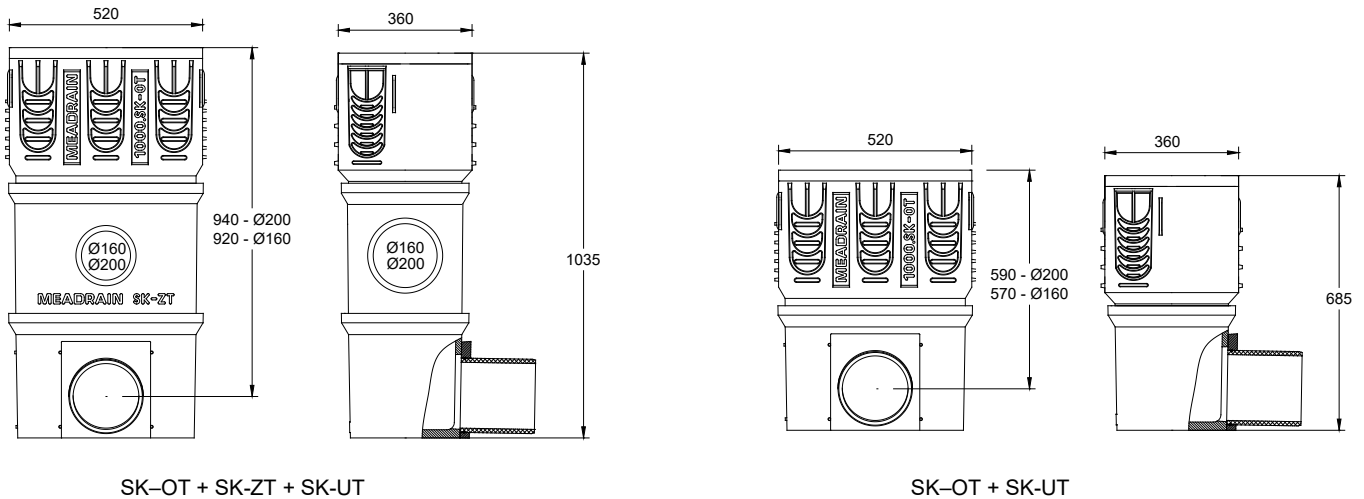
MEADRAIN EN POINT DRAINAGE

A 15, B 125, C 250, D 400*, E 600*, F 900* nominal width 100 / 300

BUILDING SUCCESS

POINT INLET MADE OF POLYMER CONCRETE WITH 7 MM EDGE PROTECTION MADE OF CAST IRON

Point inlet made of polymer concrete with closed cast frame, suitable for MEADRAIN TOP 3000 drainage channel covers, constructive width 322 mm with PROFIX quick-release fastener, with longitudinal slide protection. Also usable as a sediment bucket for the channel system MEADRAIN EN 1000. Load capacity according to specification, when installed according to the MEA installation information.



SK-OT + SK-ZT + SK-UT

SK-OT + SK-UT

POINT INLET MEADRAIN EN 1000 MADE OF POLYMER CONCRETE WITH CLOSED DUCTILE IRON FRAME

Designation	Ord. No.	Length [mm]	Height [mm]	kg/unit
MEADRAIN EN SK-OT point inlet upper part with integrated ductile iron frame *	010154707	520	390	43,85
MEA SK-ZT gully intermediate part made of polymer concrete for a height extension	010154709	524	375	22,00
MEA SK-UT short gully lower part, with integrated drain socket Ø 160 mm	010154726	524	335	25,16
MEA SK-UT short gully lower part, with integrated drain socket Ø 200 mm	010154728	524	335	27,00
MEA SK-UT short variant, gully lower part with moulded inserts for connection of drains Ø 160 mm and Ø 200 mm ¹⁶⁾ *	010154711	524	335	24,00
MEA SK-UT deep gully lower part with moulded inserts for connection of drains Ø 160mm and Ø 200 mm ¹⁶⁾ *	010154719	524	485	33,60
NBR-sealing ring Ø 160 mm for water-tight connection of lower gully section *	010153885	-	-	0,05
NBR-sealing ring Ø 200 mm for water-tight connection of lower gully section *	010153889	-	-	0,05

MEADRAIN EN POINT INLET ACCESSORIES

Designation	Ord. No.	kg/unit
SABA SEALER MBT-Sealant 0,45L	010155801	0,71
SABA installation set for SEALER MBT	010155809	3,66

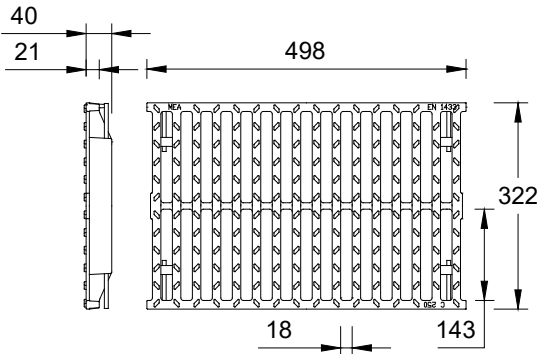
16) Liquid tight connection with sealing lip possible. Sealing lip is not of the delivery

* As of class D 400, not suitable for diagonal or lateral cross-travel in the area of express roads and motorways

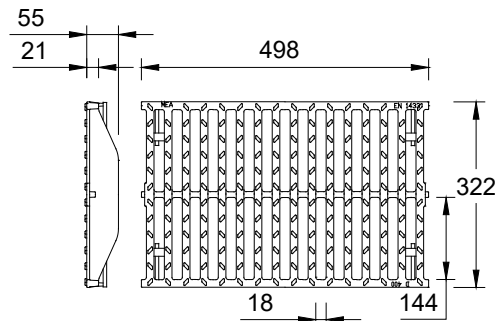
MEADRAIN EN POINT DRAINAGE

A 15, B 125, C 250, D 400*, E 600*, F 900* nominal width 100 / 300

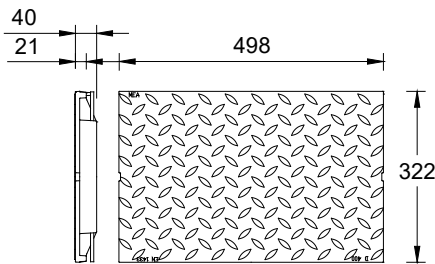
BUILDING SUCCESS



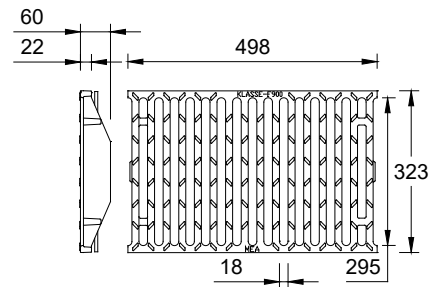
010153585



010153589



010153587



010154855

GRATING COVER FOR POINT INLET MEADRAIN EN 1000, LOADING CLASS C 250 TO F 900 WITH PROFIX QUICK-RELEASE FASTENER

Designation	Ord. No.	Material	Length [mm]	kg/unit
MEA EN 300 Ductile iron slotted grating-C 250-0,5 m 18/143 PX ****	010153585	Ductile iron	500	13,84
MEA EN 300 Ductile iron closed-D 400-0,5 m PX ****	010153587	Ductile iron	500	18,52
MEA EN 300 Ductile iron slotted grating-D 400-0,5 m 18/143 PX ****	010153589	Ductile iron	500	19,32
MEA EN 300 Ductile iron slotted grating-F 900-0,5 m 18/143 PX ****	010154855	Ductile iron	500	25,54

GRID HOOK

Designation	Ord. No.	Material	kg/unit
Grid hook	010152115	Galv. steel	0,23

The surface coating of castings only has a temporary, cosmetic function. Cast iron is virtually impervious to environmental influences through surface oxidation (e.g. thawing salt). Superficial rust does not constitute a product defect. It goes without saying that even the absence of surface coating complies with the relevant standards.

This edition of the technical data sheet shall be valid from September 2021 until a revised version is published and replaces any previous publications. The current version is available for download at www.mea-group.com.

MEA Bautechnik GmbH
 Business Unit MEA Water Management
 Sudetenstraße 1
 86551 Aichach
 Tel.: +49 (0) 82 51. 91 0
 Fax: +49 (0) 82 51. 91 13 06
 E-Mail: info@mea-group.com
www.mea-group.com