

EXIT HARDWARE

The safe choice in exiting. High performance, high traffic devices that provide egress efficiency, freedom of movement and robust security.



Panic latch
Push bars *Touch bars*



Uniclass L418184
CI/StB (31.59) Xt7

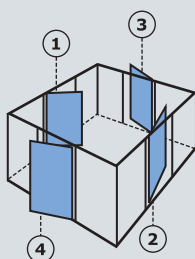
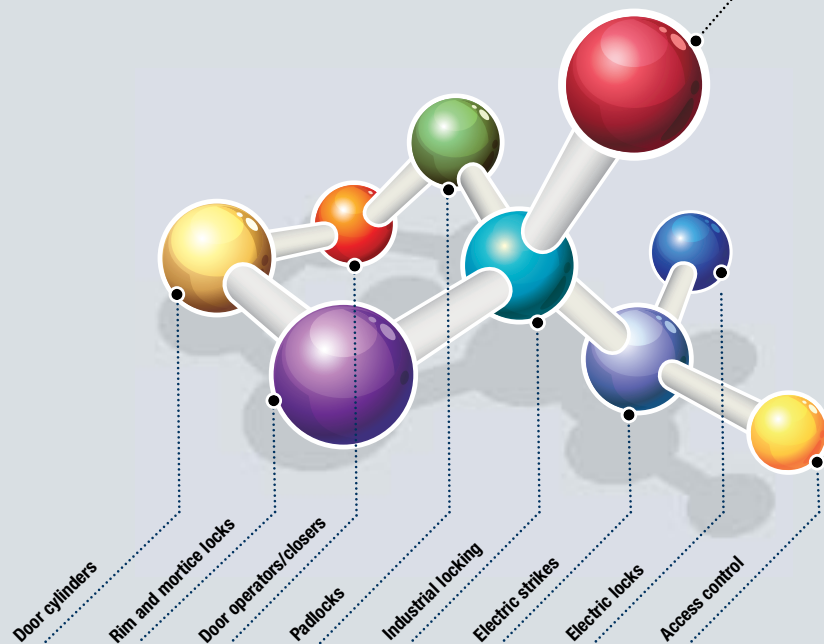
VERSION: AUGUST-11

Integrated door control solutions... it's in our DNA

Abloy UK are the leading electric locking provider in the UK and Ireland and we are pleased to welcome you to this catalogue of our products.

Exit hardware forms just part of our total service, with a wide range of products and capabilities that integrate perfectly - like our molecular diagram below - to provide a complete door security and functionality solution. There is a catalogue for every category below and you can find our products online at www.abloy.co.uk.

To gain advice or expertise with planning, specification and implementation of any door solution, call us on +44 (0)1902 364500.



Handing

The correct hand of a door can be selected using this diagram. Standing inside the box looking out, choose your door hand from 1 to 4, determined by the hinge side and if the door opens inwards or outwards.



Freedom and control

Resilient, functional exit hardware

With effortless efficiency and functionality, our range of JPM exit hardware provides the exacting design, construction and options to meet the demands of major public, commercial, insitutional and industrial buildings.

The range of exit hardware offered by Abloy UK is manufactured by JPM France – one of the world's leading experts in the field.

All commonly used variations of mechanical panic and emergency exit devices are available offering single, two point

or three point locking. All products are resistant to corrosion (96 hour salt spray test) and mechanical products are designed to meet EN1125 panic exit or EN179 emergency exit device standards.

Strike plates for both types of normal installation are included with all products and additional strikes are available to suit specialist door situations.

All JPM products carry a five year warranty.



8901 push bar

Single point panic latch

Escape at all times
Tested to EN1125

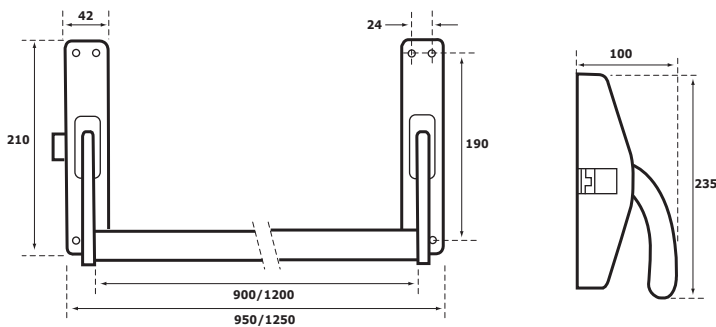
89 Series features

- CE: Product has been successfully type tested for conformity to EN1125:2008. Regular audit testing is undertaken
- Door brackets only 42mm wide
- Pivoting Pullman latches
- Low opening pressure
- Automatic re-latching of bolts when door closes
- Outside trim available (see page 12)
- Cross follower on main case
- Non-handed
- Double rebated doors (use 8901 and 8902)

- Horizontal bars and vertical rods can be cut to suit door size:
- All 89 series panic bars are supplied 950mm total width as standard with 1250mm total width versions available to special order
- 8902 and 8903 bars are supplied suitable for door heights of up to 2352mm
- S91 extension accessory kit, on page 12, can extend upper vertical rods by up to 865mm for tall doors

Finish

Silver enamel (stainless steel and other finishes to special order)

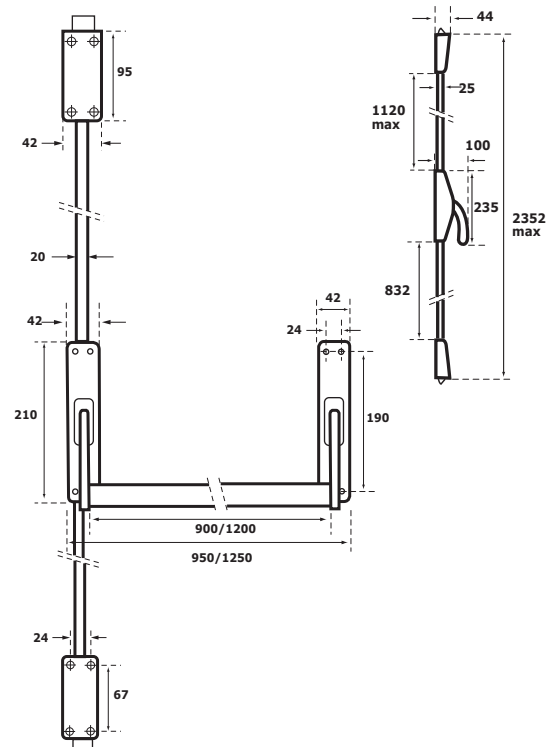


8902 push bar

Two point locking

Pullman latches
top and bottom
and covered rods
Escape at all times
Tested to EN1125

- CE: Product has been successfully type tested for conformity to EN1125:2008. Regular audit testing is undertaken

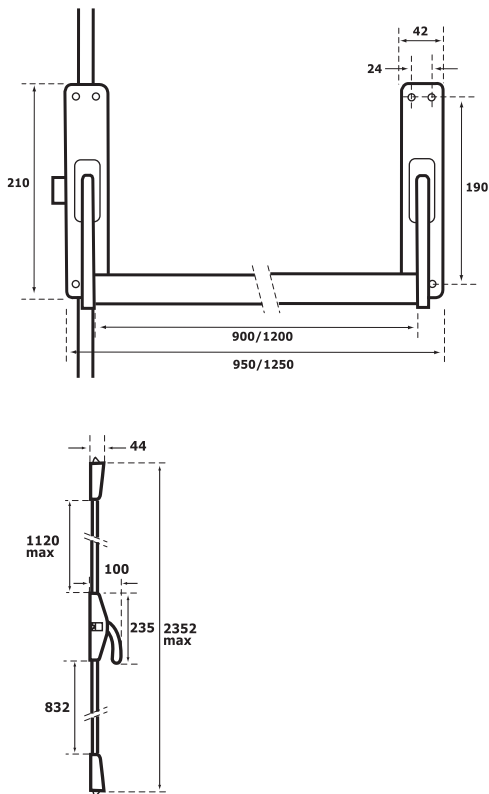


8903 push bar

Three point locking

Pullman latches top and bottom plus side latch and covered rods
 Escape at all times
 Tested to EN1125

- CE: Product has been successfully type tested for conformity to EN1125:2008. Regular audit testing is undertaken



8989 push pad

Europad emergency exit device

Escape at all times
 Tested to EN179

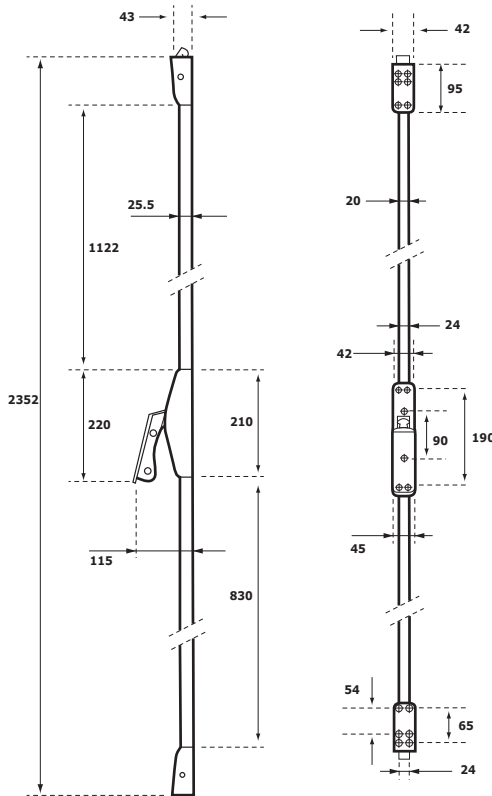
Features

- CE: Product has been successfully type tested for conformity to EN179 classification 37511322B. Regular audit testing is undertaken.
- Low opening pressure – <8kg
- 2 point automatic relatching

- Suitable for door heights of up to 2352mm
- Top rod can be extended with S91 kit (see page 12).
- Outside trim available (see page 12).

Finish

Silver with black pad (other finishes to special order)



990000 series push bar

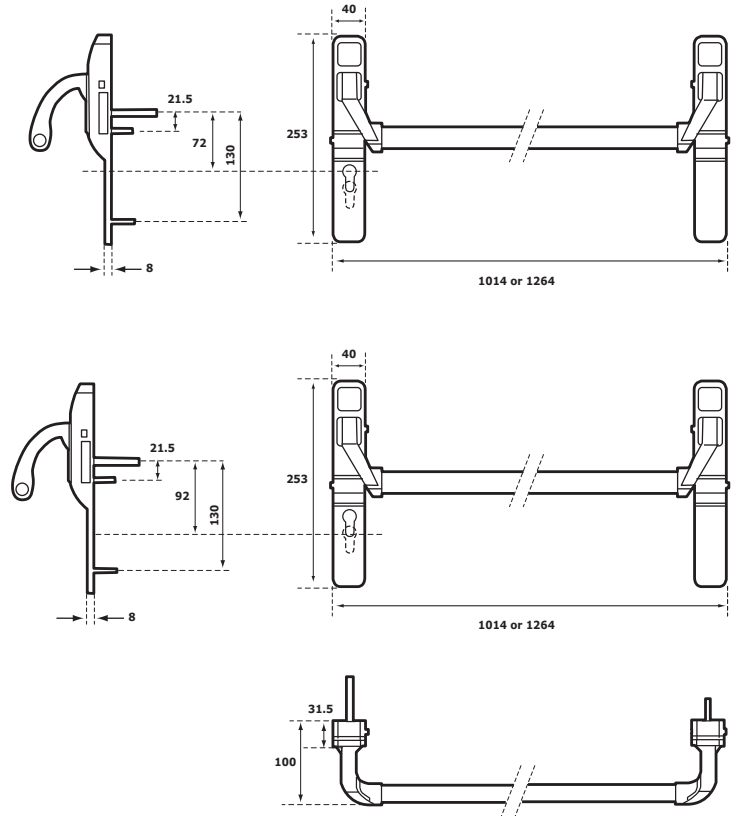
Panic exit device
Escape at all times
Tested to EN1125
For external access control
and internal escape

Features

- Push bar
- Low opening pressure
- Horizontal bars can be cut to size
- Push bar can also be used with the range of ABLOY DIN electric lockcases EL520, EL420, EL560 and EL460

Finish

Satin enamel (SE) as standard (stainless steel and RAL colours are available to special order)



Mortice push bar kits



	EL520 kit comprises of:	EL560 kit comprises of:	EL420 kit comprises of:	EL460 kit comprises of:
Lockcase	• EL520	• EL560	• EL420	• EL460
Pushbar	• 990000-SE	• 990000-SE	• 990001-SE	• 990001-SE
Outside trim	• 012/120/RT-PZ-72-JPM520	• JPM-912500-SE	• 013/120-RT-PZ-92-JPM420	• 809ZB04-----35
Cylinder	• CY326	• CY326	• CY326	• CY326

* please specify backset when ordering Kits available for 44mm and 54mm doors

9000/9300 series touch bars

▼
9000 touch bar

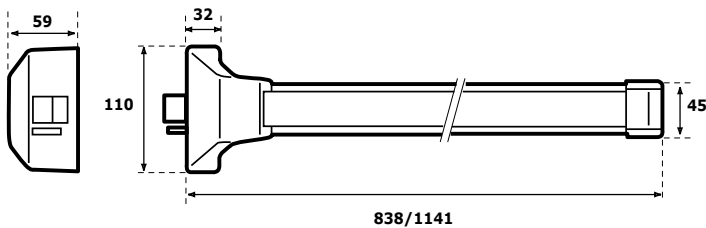
Panic exit device
Tested to EN1125
For use on internal and external emergency exits

Features

- Minimum protrusion from door (59mm)
- Cannot be chained
- Automatic re-latching
- Single and double door versions:
Double rebated doors (9000 and 9300*)
Double non-rebated doors (9000 and 9300)
- Non-handed
- Deadlocking Pullman latches
- Anti-drag mechanism for bottom bolt
- Outside trims available for 9000 only (see page 12)
- Cross follower on main case
- horizontal and vertical bars can be cut to size on site

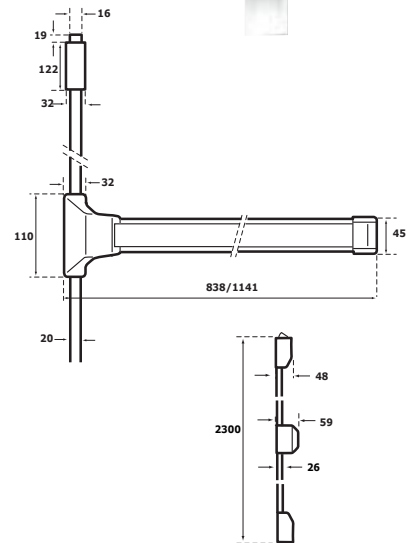
Versions:

- 9000 and 9300 (tested to EN1125)
838mm (900mm door) can be cut down to minimum 650mm
- 9100 and 9400 (tested to EN1125)
1141mm (1200mm door) can be cut down to minimum 750mm
- Maximum door height 2300mm (for 9300).
- Use S91 (865mm) extension pieces for higher doors (page 12)
- Finish: Silver enamel with black touch bar (other finishes to special order)
- 9000-D-M/S (not tested to EN1125)
Rated: 5 amps/250vAC, 5 amps/30vDC



▼
9300 touch bar

Two point Pullman latches top and bottom
Tested to EN1125



* Door co-ordinator required: 914000

FAP 8 series

▼
E82100 touch bar

High security
panic latch

Tested to
EN1125

Deadlocking
clawbolt action

FAP 8 features

- CE: Product has been successfully type tested for conformity to EN 1125 classification 37611422B. Regular audit testing is undertaken
- Low projection of 78mm from the door
- Very low operating pressure makes it particularly suitable for use by small children and door users with additional needs
- Non-handed
- Smooth and silent operation
- For non-rebated double doors use 2 x E82200
- Outside trim available see page 12
- Horizontal bars and vertical rods can be cut to suit door size

E82100/E82200/E82300

- Bars are supplied 850mm long, suitable for 900mm wide doors and can be cut down to a minimum length of 450mm

E82110/E82210/E82310

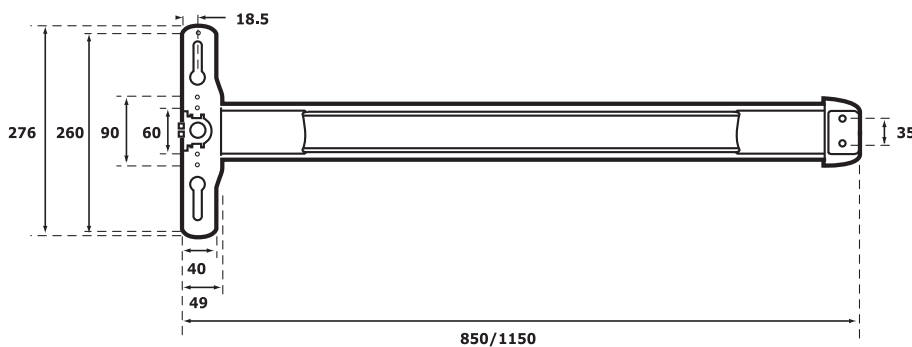
- 1150mm long versions, available to special order, suitable for 1200mm wide doors and can be cut down to a minimum length of 450mm

- FAP 8 panic bars are supplied, as standard, to be suitable for door heights of up to 2455mm

- Extension kit available for doors over 2455mm (KE8000-01/03-0A)

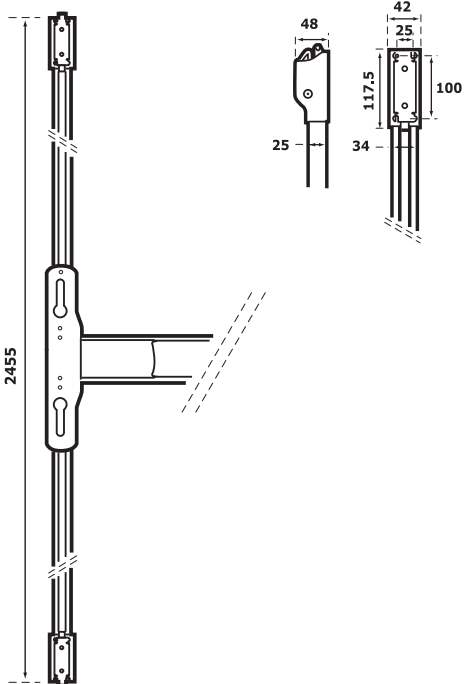
Finish

Silver (S) or stainless steel (SS) bar with anthracite body as standard. (black, white, red and green bar finishes are available to special order)



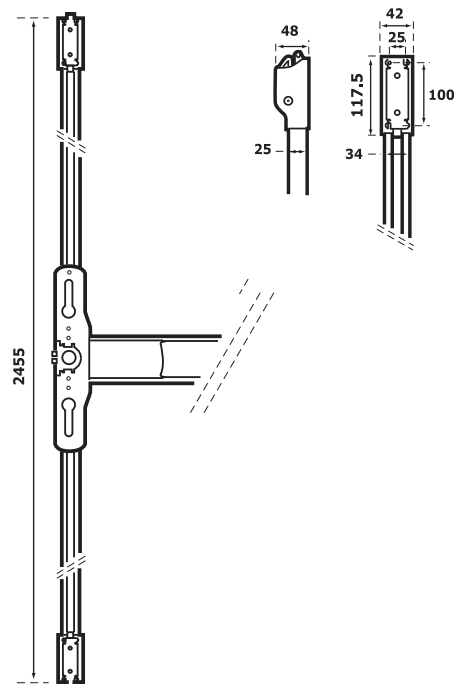
▼
E82200
touch bar

Two point
locking
security panic
bar



▼
E82300
touch bar

Three point
locking
security panic
bar





**ABLOY® PBE series
push bars**

Designed to operate with Abloy mechanical, electromechanical and motor locks.

This range of panic bars is fully compliant to EN1125 for use on Panic Exit Doors ensuring escape at all times.

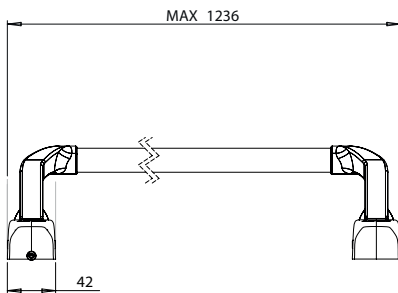
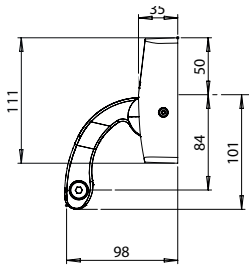
Suitable for narrow stile and solid doors, single and double door sets, the range includes the second leaf panic bar for atheistically pleasing panic escape solutions to double doors.



PBE-001

Single side latch

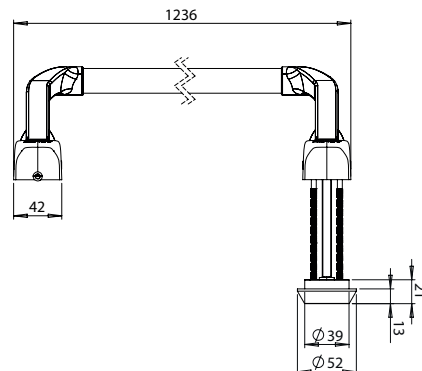
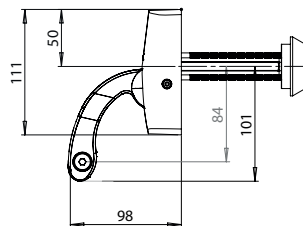
For use with PE580 and PE480
(Electric Locks cat. page 10)



PBE-002

Single side latch

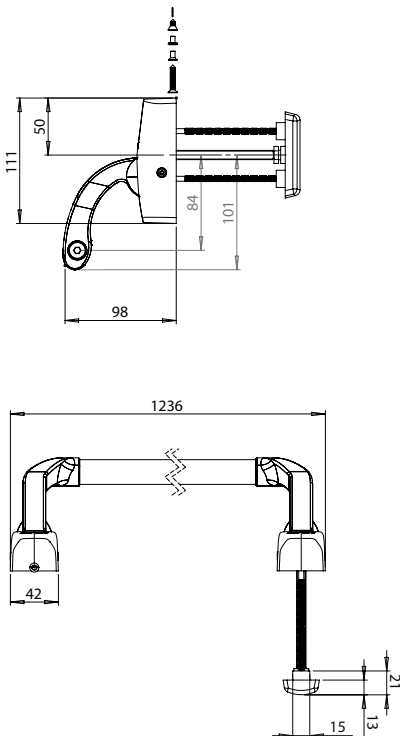
For use with PE590
(Electric Locks cat. page 17)





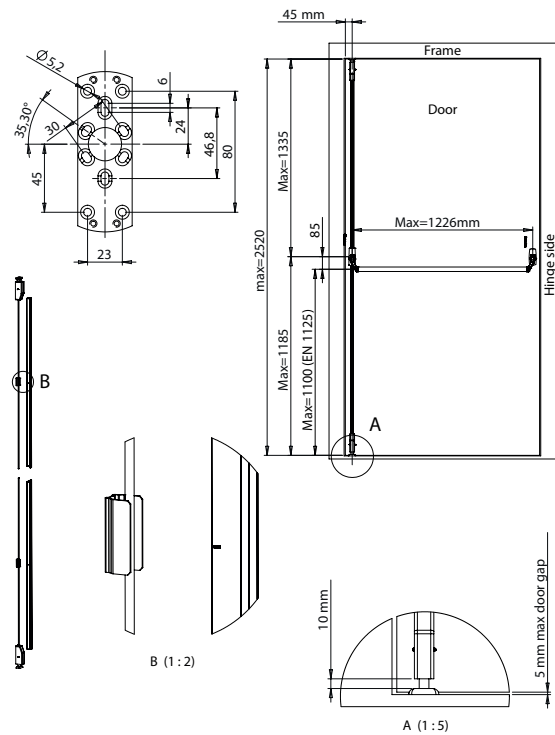
▼
PBE-003

Single side latch
For use with PE490
(Electric Locks cat. page 18)



▼
PBE-007

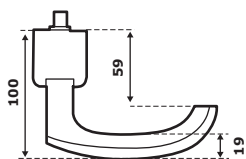
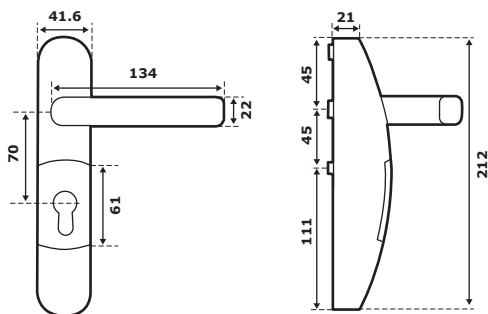
Single side latch
For use on secondary leaf -
double doors



**EN3000**

Outside trim with
lever handle

JPM range only

**EN3000 and EN3300 outside trim features**

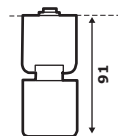
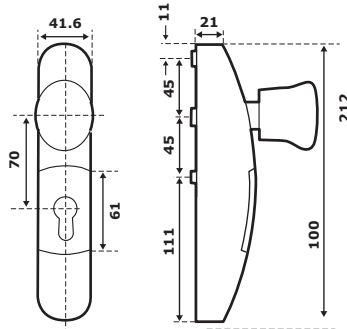
- Suitable for FAP8, 89 and 90 series panic devices and Europad 179 series
- Vandal resistant
- Reversible lever handle/knob disengages if excessive force applied
- Non handed

- Selectable, at installation, key retaining option, which holds the key captive if the handle has been unlocked.
- Requires the addition of a single Euro cylinder, see ABLOY CY326 or 336. Cylinder can be changed without removing the outside trim.
- Bolt through fixing allows the trim to be used with all door materials and types up to 65mm thick

**EN3300**

Outside trim with
knob

JPM range only

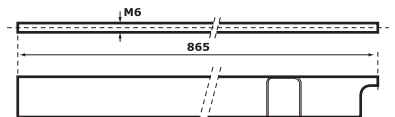
**Finish**

Silver standard. Stainless steel and other finishes to special order.

**S91**

Extension kit

Suitable for FAP 89
and FAP 90 series
panic bars

**Extension kit for thicker doors**

JPM-KE-2000
extends EN3000 to
80mm thick doors.

Strikes

Strike plates for special applications, such as PVCu doors; details available on request

Guide to standards relating to door exiting

Standard EN179 covers emergency escape doors, which applies to areas that are non-public with trained staff; EN179 provides for escape at all times from the escape side of the door. The lever handle or paddle handle needs to be operable even when side pressure is applied to the door.

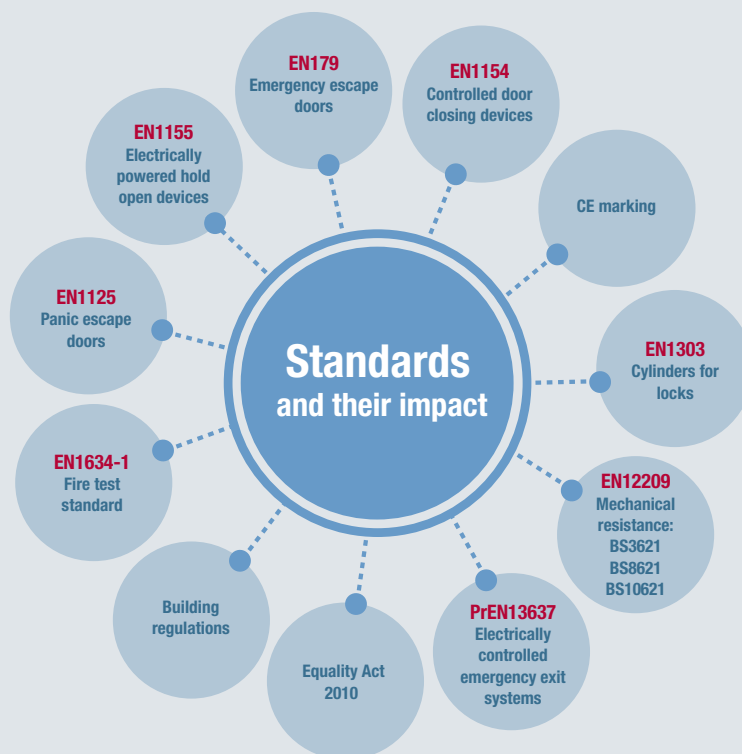
EN1125 covers panic escape doors applicable in public areas and assemblies. This standard defines acceptable methods of egress: the product must be tested and approved; the standard covers the complete product.

CE Marking

Products carry a classification code with 9 digits: box 4 indicates Fire Resistance with 0 = not approved for use on fire/smoke door assemblies, A = suitable for use on smoke door assemblies and B = suitable for use on fire and smoke door assemblies based on a test - confirming that the product is suitable for fire/ smoke doors.

The 9th digit indicates the type of acceptable operating mechanism: A = lever handle operation and B = push pad operation. For example:

3	7	6	0	1	3	4	2	B
---	---	---	---	---	---	---	---	---



A state of the art learning resource for the security industry.

Welcome to our Academy - a new facility for training and understanding of ASSA ABLOY products and all aspects of door locking and function.

We recognise that the high performance of our products can only be realised by the abilities of the people who install them. We have developed the ASSA ABLOY Academy to provide training of the highest

standard, and the Academy brand is recognised as a mark of excellence and accreditation. This gives reassurance to clients of your competence and specialist product understanding.

There is an Academy course designed to provide training in the use of ABLOY® exit hardware, including master key strategy. To find out more or to receive our

Academy prospectus, simply contact us by any of the following:

Phone: +44(0)1902 364500

Email: academy@abloy.co.uk

or contact your Sales Account Manager.



WORKSHOP

Workshop-based courses provide specific product training with realistic set up and applications



CLASSROOM

Classroom-based courses give theoretical, strategic and legislative knowledge relating to door security and function

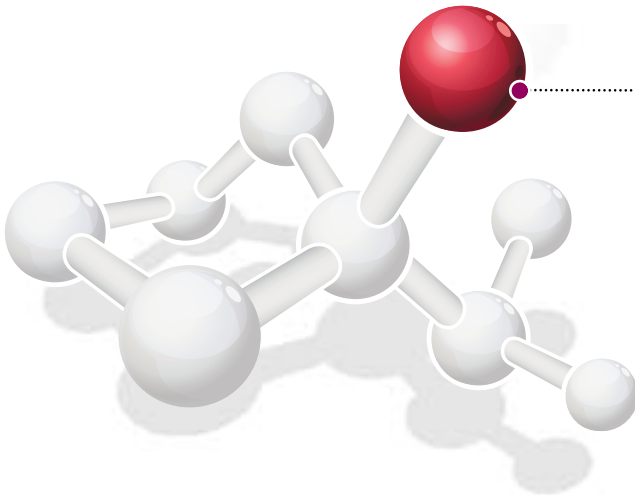
Abloy UK
School Street
Willenhall, West Midlands
WV13 3PW

Phone +44 (0)1902 364500
Fax +44 (0)1902 364501
Email sales@abloy.co.uk
www.abloy.co.uk

Direct line - Sales Office
0845 071 3844 (UK only)
Direct line - Customer Services
0845 071 3855 (UK only)
Calls charged at local network rates

From product supply through to planned and implemented door control solutions... it's in our DNA

We are the UK's leading experts on door locking and functionality. Our product range, including exit hardware, connects like the molecular diagram below, to form complete, secure, compliant and lasting solutions trusted by organisations around the UK and Ireland for whom compromise is not an option.



Product supply >

Simply order the products you need from our friendly and knowledgeable staff

Expertise >

Helpful advice when you need it from our door control specialists

Planning and specification >

For larger projects, call on us for full service assessment and planning of your needs, from fire exiting and compliance to master key strategies

Due to a continuous programme of development, Abloy UK reserves the right to make alterations without notice. For technical reasons connected with colour reproduction the colours shown may vary slightly from those of the product. All dimensions provided within this catalogue are approximate and for guidance only.

E. & O. E. For terms and conditions of sale, please refer to the current price list.

Abloy UK markets high quality products and accessories for security applications. Our customer base provides solutions to a broad spectrum of public and private organisations throughout the UK and Ireland.

