

NEW
FIXING
INFORMATION

EDEN

Traditional Clay Pantile



FIXING INFORMATION



FIXING GUIDANCE

Marley Eden clay pantiles are laid single lap to a fixed gauge and with a straight bond, using left and right hand finishing tiles at verges and abutments.

Clay ridge and hip tiles are compatible with Marley's mortar bedded security fixing kits and Universal dry fix accessories for Eden clay pantiles. Dentil slips are also available for traditionally bedded ridges and hips.

SETTING OUT THE ROOF

The gauge for Eden tiles is fixed at 270mm

When setting out the tile courses from eaves to ridge, it is important that the eaves course and the top course are set correctly (Fig. 1).

The eaves course should be set so that the tail of the tile allows for any water being discharged does so into the centre of the gutter. If no gutter is present at the time of tile installation, then a 50mm minimum overhang should be allowed for.

The top course should be set so that minimum 75mm over lap of the ridge tile can be achieved.

Tiles should be nailed using a 45mm x 3.35mm aluminium nail and clipped with SoloFix. Both fixings must be used at the top course.

LINEAR COVERAGE

The average linear coverage (cover width) of the Eden tile is 215mm.

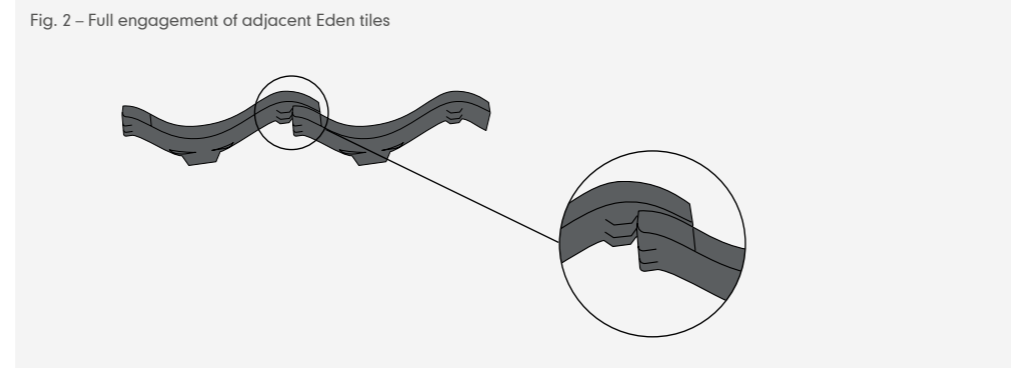
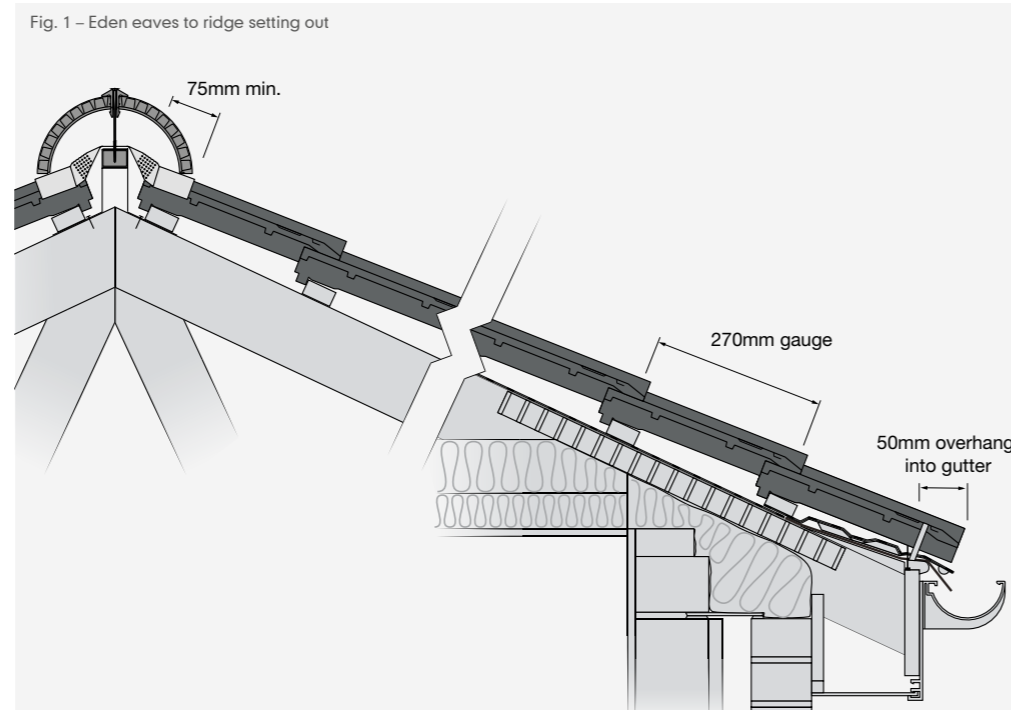
Ensure that an Eden left or right hand finishing tile is used to complete the linear tile array. Ensure that the over hang at the verge is no more than 50mm.

USING A GAUGING ROD

An alternative method is to use a gauging rod (a short length of batten) and mark the position of two or three tiles when fully engaged.

Use the gauging rod to set out the linear coverage on both eaves and top course battens.

2 Strike a chalk or ochre line from the eaves to ridge at each mark so that the tiles can be laid to a straight perpendicular alignment.



CUTTING EDEN TILES

On occasion it is impossible to set out fixed gauge single lap clay tiles to achieve a full course at the ridge.

Therefore either the top or eaves course must be cut/trimmed to size, i.e. at the top course, the top of the tile is cut off and the remainder of the tile is re-drilled on site to form a new nail hole or if a shortening the eaves course is required, trimming the top right shoulder of the tile will allow them to be closed up.

Cut tiles at the verge should be avoided wherever possible, but if this is unavoidable, they should never be less than half the width of the standard tile.

GENERAL FIXING

Before commencing to tile the roof, check to ensure the correct fixing specification is being adhered to. Load out all sides of the roof uniformly, randomly mixing tiles from different pallets.

Eden tiles should be laid straight bonded, commencing with a right hand finishing tile and working from right to left.

- 1 Tiles can be fixed using a 45mm x 3.35mm aluminium nail.
- 2 Tiles requiring once clipping should be fixed using a one piece SoloFix tile clip, located on the left hand side of the tile where a clip fixing channel is present (Fig. 3).
- 3 Tiles that require two mechanical fixings can utilise a combination of Solofix, verge and Eaves clips in conjunction with the nail fixing.

EAVES

The eaves course tiles should be laid at the same pitch as the remainder of the roof with the fascia board or tilting fillet fixed at the correct height, taking account of any over fascia ventilation strip.

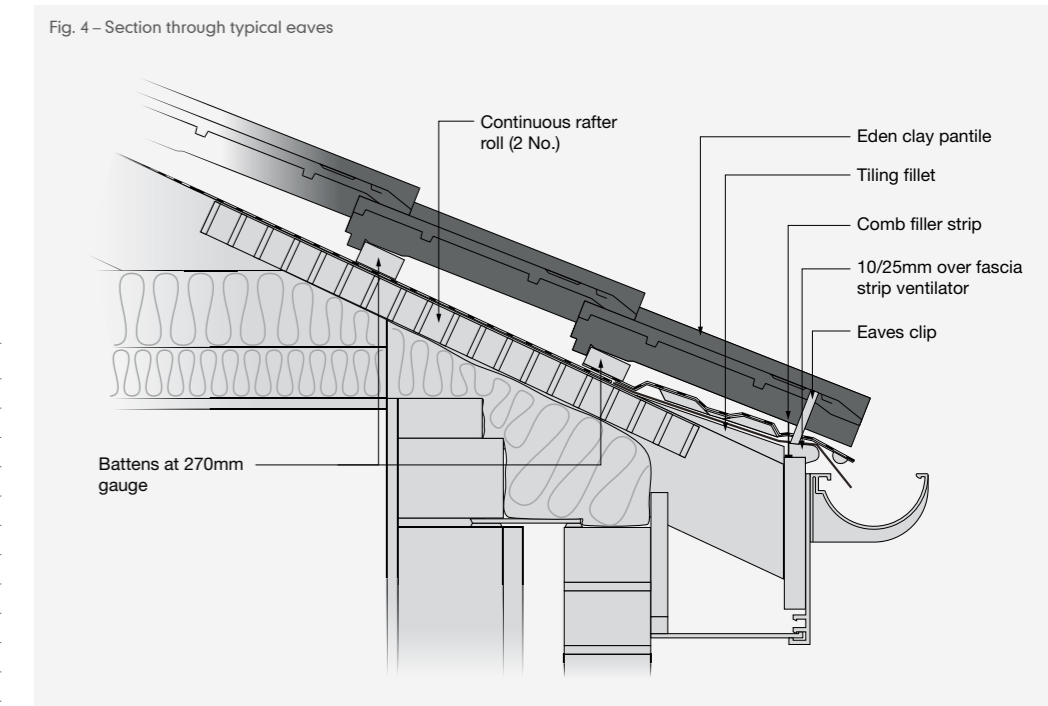
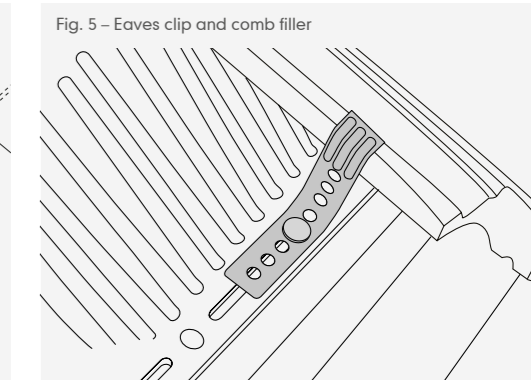
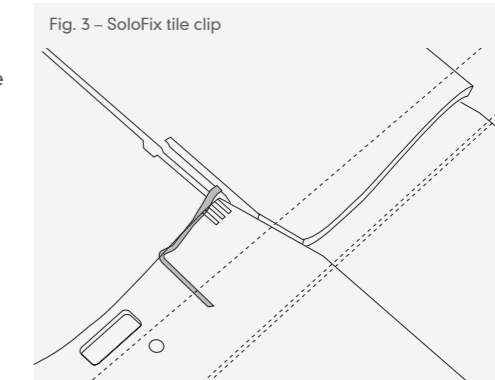
- 1 The roof underlay should be laid over the tilting fillet or eaves vent strip and onto the felt support tray (Fig. 4).
- 2 All eaves course tiles should be twice fixed; nailed with 45mm x 3.35mm aluminium nail and clipped using a Eden eaves clip nailed to the fascia or tilting fillet.
- 3 A comb filler strip should be fitted above the fascia/tilting fillet/eaves vent strip to prevent the ingress of birds or vermin (Fig. 5).

UNIVERSAL EAVES VENT SYSTEM

10 and 25mm Universal eaves vent systems are available for Eden tiles, see Marley's roofing sitework guide for further information.

EDEN FASCIA HEIGHTS

Pitch°	no eaves vent	10mm EV	25mm EV
22.5	61	43	30
25	61	43	30
30	61	43	30
35	61	43	30
40	61	43	30
45	64	46	33
50	64	46	33
55	64	46	33
60	66	48	35
65	66	48	35
70	66	48	35



FIXING GUIDANCE

BEDDED VERGES

Verges should be formed using left and right hand tiles (Fig. 6).

- 1 Verges should be formed by mortar bedding the tiles onto an undercloak of fibre reinforced cement strip (1200mm x 150mm).
- 2 Lay the strips of undercloak rough side up and closely butted together, with a slight tilt outwards to provide a drip edge with a 38-50mm overhang from the brickwork gable or bargeboard.
- 3 Provide 65mm width of mortar to bed all verge tiles. Fix each verge tile with at least two mechanical fixings.
- 4 Nail each verge tile using 45mm x 3.35mm aluminium nails and (left hand and right hand).
- 5 Twice nail the verge clips to the battens with two 38mm x 3.35mm aluminium nails and ensure upstand is level with the outside edge of the undercloak.
- 6 Strike all mortar bedding off flush and neatly point in one operation.

- 1 Ensure that a minimum 75mm cover is provided by the ridge tile over the top course of tiles with any exposed mortar neatly pointed.
- 2 Mortar bedded ridges should also be mechanically fixed using Marley mortar bedded security ridge fixing kits and 100mm x 4.8mm screw packs for deep ridges.
- 3 Marley recommend finishing the ridge with a 375mm half round ridge end tile, which is pre-holed for fixing. Ridge ends should be fixed using 100mm x 4.8mm screw packs for deep ridges.

For further details on mortar bedded security ridge fixing kits, including batten height settings, see Marley's roofing sitework guide.

UNIVERSAL RIDGEFAST

For use with 375mm clay half round ridges, RidgeFast provides a simple and rapidly installed dry fixed ridge system. A 375mm clay ridge end tile, which is pre-holed for fixing, should be used at the gable ends.

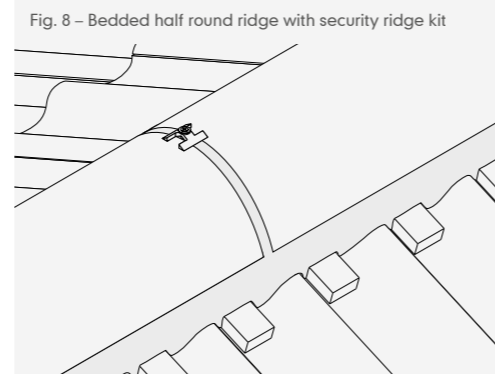
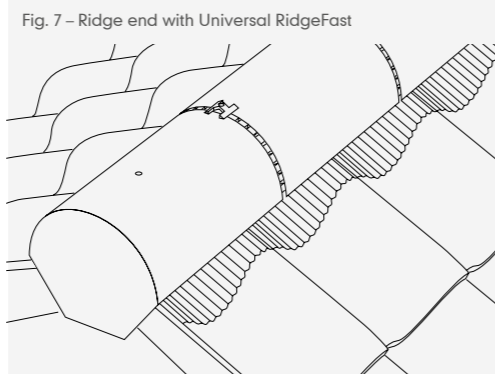
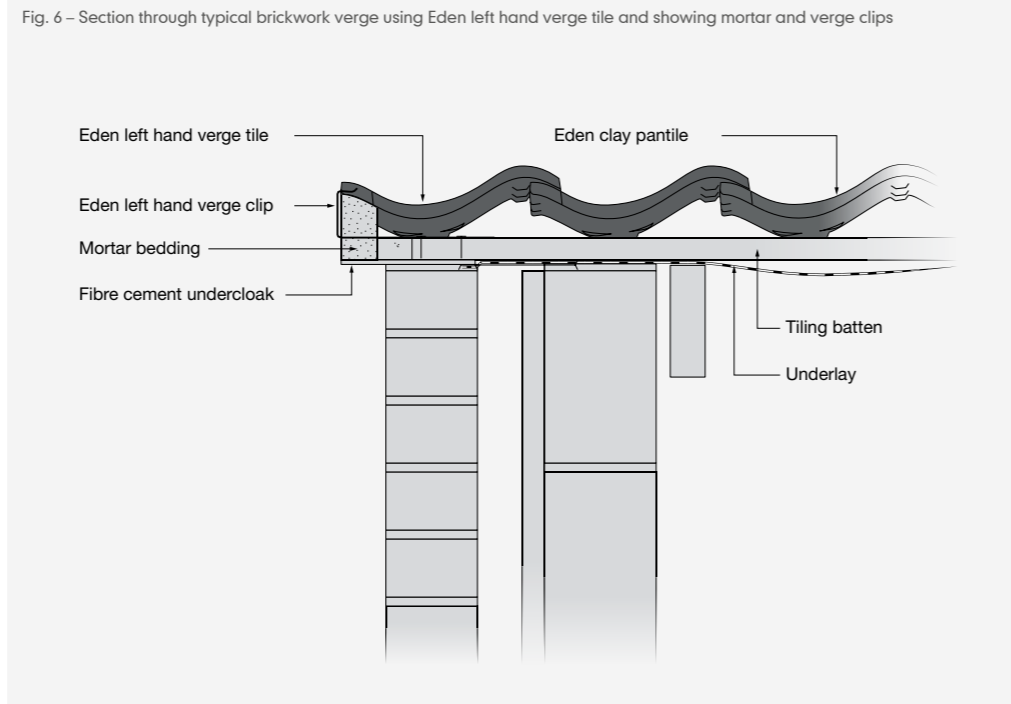
100mm x 4.8mm screw packs for deep ridges should be used for fixing the union clamps.

For further details on Universal RidgeFast components and batten height settings, see Marley's roofing sitework guide.

BEDDED RIDGES

Bedded ridges with 375mm half round ridges (Figs. 7 and 8)

The roof apex should be covered using 375mm clay half round ridge tiles, edge bedded onto the top course of tiles, with dentil slips bedded into the pans.



BEDDED HIPS WITH 375MM THIRD ROUND HIP (FIG. 9)

- 1 Secure with a combination of nailing and clipping, utilizing either the secret cut tile clip for a mechanical fixing or head clip and tail clips.

Cut tiles to the rake of the hip and cover with 375mm clay third round hip tiles, edge bedded, with dentil slips bedded in the pans of the adjacent raking cut tiles.

- 2 Ensure that a minimum 75mm cover is provided by the hip tile over the adjacent courses of tiles with any exposed mortar neatly pointed.
- 3 Mortar bedded hip tiles must also be mechanically fixed using Marley mortar bedded security hip fixing kits (Fig. 9).
- 4 Marley recommend finishing the hip with a 375mm third round hip end tile, which is pre-holed for fixing.
- 5 Mitre the junction of the hip and ridge, using a lead saddle in exposed locations.

For further details of mortar bedded security hip fixing kits, including batten height settings, see Marley's roofing sitework guide.

UNIVERSAL HIPFAST

For use with 375mm clay third round hip tiles, HipFast provides a simple and rapidly installed, dry fixed ridge system. A 375mm clay hip end tile, which is pre-holed for fixing, should be used at the hip ends (Fig. 10).

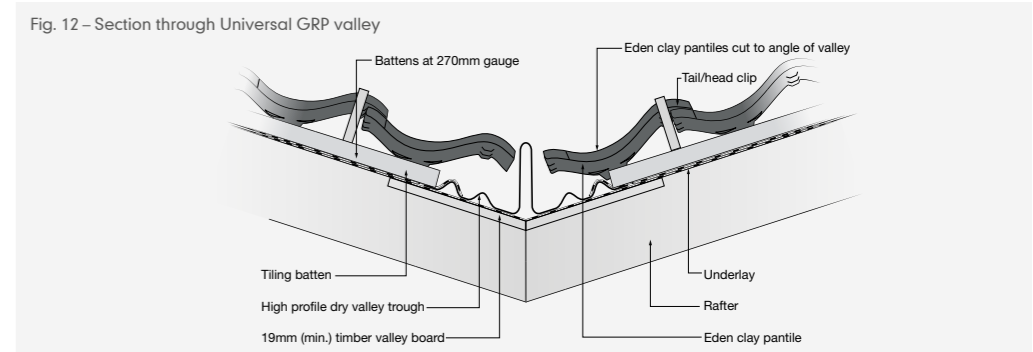
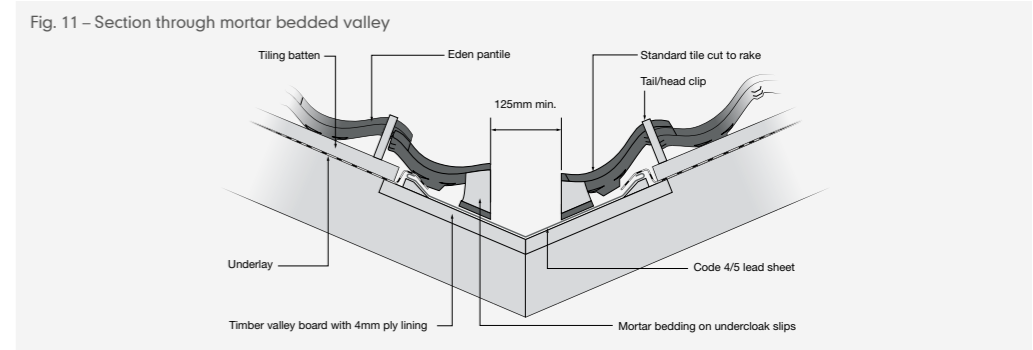
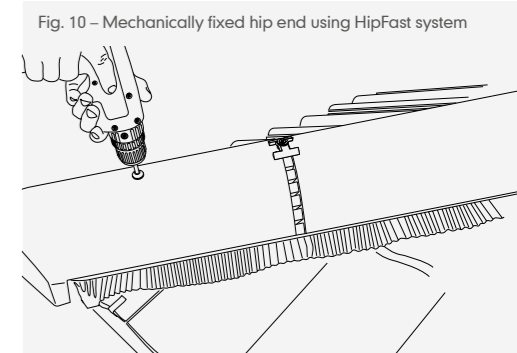
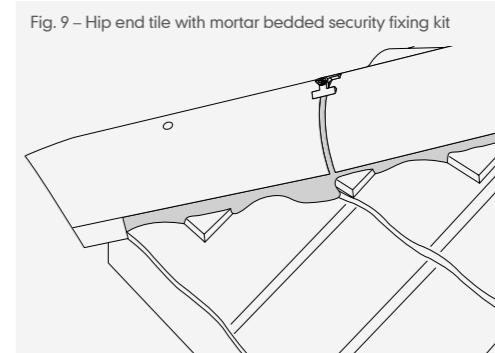
For further details of the Universal HipFast components and batten height settings, see Marley's roofing sitework guide.

BEDDED VALLEY (FIG. 11)

- 1 Cut tiles to the rake of the valley trough, leaving a clear channel of minimum 125mm wide.
- 2 Form the valley with either a metal lining (Code 4 or 5 lead sheet) of not less than 500mm wide (see LSA recommendations).
- 3 Bed raking cut tiles at the edges of the valley using mortar, ensuring that tile interlocks are kept free and there is adequate space kept clear behind the mortar to avoid water capillarity.
- 4 Ensure the mortar is laid onto a fibre cement undercloak strip above the lead valley gutter lining to prevent cracking from expansion.
- 5 All tiles adjacent to the valley should be twice fixed and any small cut pieces of tile should be mechanically fixed with a combination of nailing and clipping, utilizing either the secret cut tile clip for a mechanical fixing or head clip and tail clips

UNIVERSAL GRP VALLEY

The Marley Universal high profile dry valley system (Fig. 12) is suitable for use with Eden clay pantiles for a completely mortar-free fixing solution, see Marley's roofing sitework guide for components and fixing.





Tell me more

Call 01283 722588

Email info@marley.co.uk

Marley, Lichfield Road, Branston, Burton upon Trent, DE14 3HD

