

MEA TSH 200 TOPSLOT

A 15, B 125, C 250, D 400**, E 600**

CW 200



BUILDING SUCCESS

PURPOSE OF USE

Channel covers for MEA drainage channels, as part of a drainage system to catch, transport and evacuate rainwater from adjoining surfaces.

** Not suitable for the diagonal or transverse travel of motorways and highways.

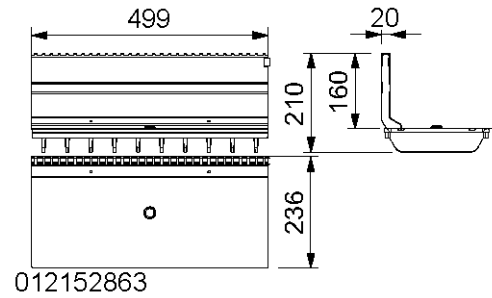
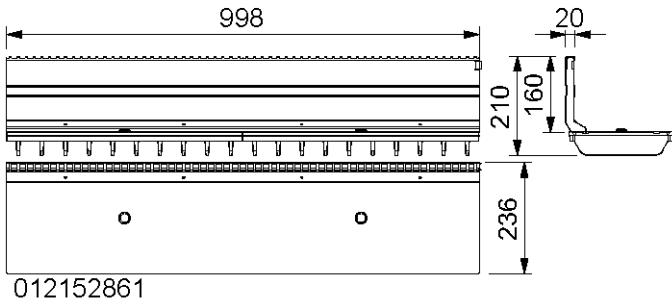
MEA TSH 200 TOPSLOT

A 15, B 125, C 250, D 400**, E 600**

CW 200

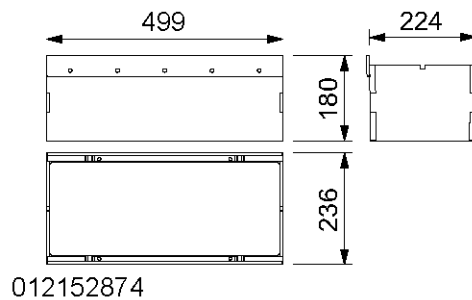
MEA TSH 200 TOPSLOT

MEA TSH 200 TOPSLOT suitable for the systems **MEARIN PLUS/EXPERT 200, MEARIN PLUS F 200, MEADRAIN EN 2000, MEADRAIN SV/SE/SG 2000** and **MEADRAIN SVF/SEF 2000**. Covers all ranges of applications. Loading class A 15 to E 600** according to EN 1433. Load capacity according to specification, when installed according to the MEA installation instructions.



MEA TSH 200 TOPSLOT LATERAL, NECK HEIGHT 160 MM, LOADING CLASS E 600 ACCORDING TO EN 1433 **)

| Designation | Ord. No. | Material | Length [mm] | Inlet sect. area Ø cm ² /m above | kg/unit |
|--|-----------|---------------|-------------|---|---------|
| MEA TSH 200.0 / 160 TOPSLOT-E 600-Galv.-1 m-lateral incl. 2 ductile iron grates **) | 012152861 | Galv. steel | 1000 | 96 | 21,40 |
| MEA TSH 200.1 / 160 TOPSLOT-E 600-Galv.-0,5m-lateral incl. ductile iron grating **) | 012152863 | Galv. steel | 500 | 96 | 10,70 |
| MEA TSH 200.0 / 160 TOPSLOT-E 600-Stainl.steel-1 m-lateral incl. 2 ductile iron grates *) **) | 012152867 | Stainl. steel | 1000 | 96 | 21,40 |
| MEA TSH 200.1 / 160 TOPSLOT-E 600-Stainl.steel-0,5 m-lateral incl. ductile iron grating *) **) | 012152869 | Stainl. steel | 500 | 96 | 10,70 |



MEA TSH 200 INSPECTION ELEMENT UPPER PART, LOADING CLASS E 600 ACCORDING TO EN 1433 **)

| Designation | Ord. No. | Material | Length [mm] | Inlet sect. area Ø cm ² /m above | kg/unit |
|---|-----------|---------------|-------------|---|---------|
| MEA TSH 200.R / 160 Galv. Inspection element upper part E-0,5 m, additional grating necessary *) **) | 012152874 | Galv. steel | 500 | - | 19,90 |
| MEA TSH 200.R / 160 Stainl.steel Inspection element upper part E 600-0,5 m, additional grating necessary *) **) | 012152876 | Stainl. steel | 500 | - | 19,90 |

* Delivery time on demand.

** Not suitable for the diagonal or transverse travel of motorways and highways.

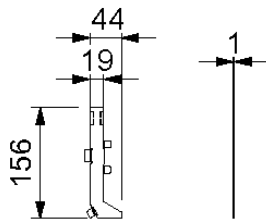
MEA TSH 200 TOPSLOT

A 15, B 125, C 250, D 400**, E 600**

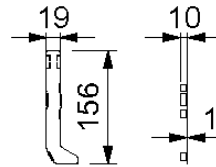
CW 200



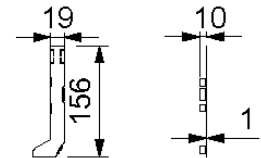
BUILDING SUCCESS



012159030



012159030_ Left



012159030_ Right

MEA TSH 200, END CAPS

| Designation | Ord. No. | Material | Height [mm] | kg/unit |
|--|-----------|---------------|-------------|---------|
| MEA TSH End cap made of galvanised steel | 012159030 | Galv. steel | 156 | 0,03 |
| MEA TSH End cap made of stainless steel *) | 012159031 | Stainl. steel | 156 | 0,03 |

MEA TSH TOPSLOT ACCESSORIES

| Designation | Ord. No. | Material | kg/unit |
|--|-----------|-------------|---------|
| MEA TSH Construction cover-S, 1 m for TOPSLOT *) | 010159893 | Galv. steel | 0,29 |
| MEA TSH Construction cover-R, 0,5 m for revision attachment *) | 010159895 | Galv. steel | 0,16 |
| MEA TSH plastic caps for Inspection element upper part-thread for replacement delivery | 010152866 | PP | 0,01 |
| MEA TSH quick connector for grating for replacement delivery | 010152900 | PP | 0,01 |
| MEA TSH assembly tool – 2 items necessary | 010152858 | Galv. steel | 0,19 |

* Delivery time on demand.

** Not suitable for the diagonal or transverse travel of motorways and highways.

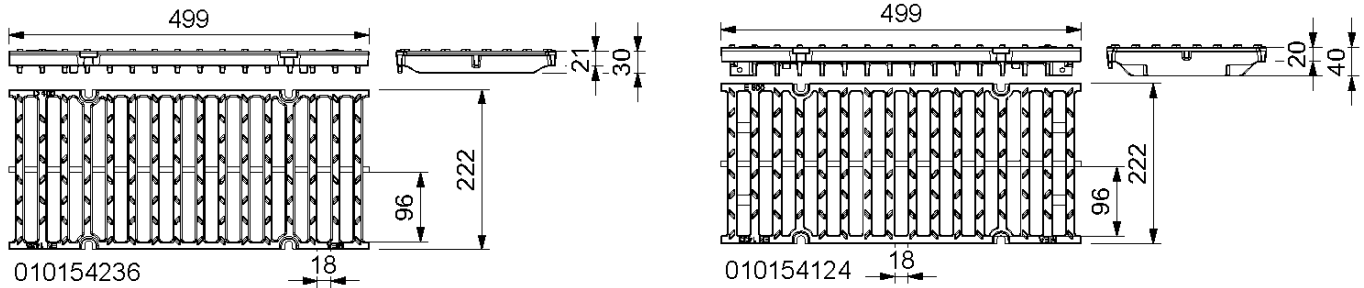
MEA TSH 200 TOPSLOT

A 15, B 125, C 250, D 400**, E 600**

CW 200

CHANNEL COVERS FOR MEA TSH 200 INSPECTION ELEMENT UPPER PART

With bolted cover. Exclusively for MEA TSH 200 inspection top piece. Total width of the gratings 222 mm.



LOADING CLASSES D 400 TO E 600 ACCORDING TO EN 1433, 4-FOLD BOLTED FOR MEA TSH 200 INSPECTION ELEMENT UPPER PART **)

| Designation | Ord. No. | Material | Length [mm] | Inlet sect. area \varnothing cm ² /m above | kg/unit |
|---|-----------|---------------|-------------|---|---------|
| MEA EN 200 Ductile iron slotted grating-D 400-0,5 m 18/96 bolt fixing required **) ****) | 010154236 | Ductile iron | 500 | 962 | 7,20 |
| MEA EN 200 Ductile Iron slotted grating-E 600-0,5 m 18/96 bolt fixing required *) **) ****) | 010154124 | Ductile iron | 500 | 962 | 8,57 |
| MEA TSH 150/200/300 Grating locking bolt with washer for inspection element, 4 pieces/grating will be needed *) | 010153104 | Stainl. steel | - | - | 0,02 |

* Delivery time on demand.

** Not suitable for the diagonal or transverse travel of motorways and highways.

**** The surface coating of ductile iron parts only has a temporary and cosmetic function. Ductile iron is virtually impervious to surface oxidation from environmental influences (e.g. thawing salt). Superficial rust does not constitute a product defect. Of course, the resignation of surface coating is in accordance with all corresponding standards

This edition of the technical data sheet shall be valid from March 2022 until a revised version is published and replaces any previous publications. The respectively current version is available for download at www.mea-group.com.

MEA Bautechnik GmbH
 Business unit MEA Water Management
 Sudetenstraße 1
 86551 Aichach
 Tel.: +49 (0) 82 51. 91 0
 Fax: +49 (0) 82 51. 91 13 06
 E-Mail: info@mea-group.com
www.mea-group.com