



Description

The Delta Dual V4 packaged pump station has been designed specifically to work in unity with the Delta Cavity Drained System (Type C waterproofing) to collect groundwater via a perimeter channel or modular drainage.

Delta's robust and distinguished package pumps are capable of diverse applications where quality matters. Using advanced pump design techniques our packaged pump systems are unrivalled.

The Delta Dual V4 offers a higher discharge head to the Delta V3 range. The Delta Dual V4 pump station is suitable to collect groundwater from a 150m² basement that requires a head height of up to 8 m. The Delta Dual V4 is capable of pumping 12m² of surface area in addition to groundwater.

The Delta Dual V4 includes chamber, all internal pipework and two powerful Delta V4 Submersible Pumps.

The Delta Dual V4 should not be used to collect grey water from showers and hand basins, or foul water from a water closet.

Features

- Suitable for ground, surface, storm, and grey water applications
- Flow rate up to 2L/s at 6.5m head
- Chamber manufactured from superior virgin tank grade HDPE enabling the Delta Dual V4 to withstand hydrostatic forces encountered in applications with high water tables
- All internal pipework is pre-assembled within chamber including non-return valve
- Quick and simple installation
- Supplied with two powerful Delta Dual V4 Submersible Pumps
- Suitable for residential, commercial and heritage projects

Specification

- NBS Specification R18 (Clause 310) Pumping Stations and Pressure Pipelines
- BS 8102:2022 Type C Drained Protection

Associated products

- Battery backup systems
- High-level alarms
- Remote monitoring
- External pipework
- Pumps
- Access covers
- Additional inlets

Product details

DMS 217



PRODUCT DATA SHEET

Delta Dual V4 Packaged Pumping Station

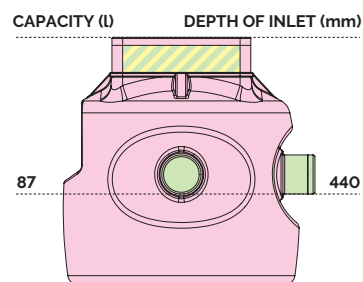
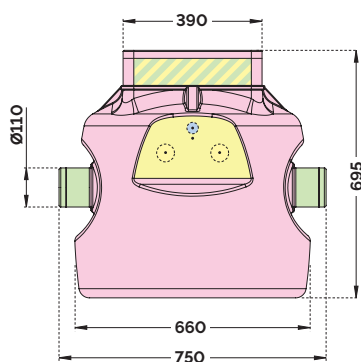
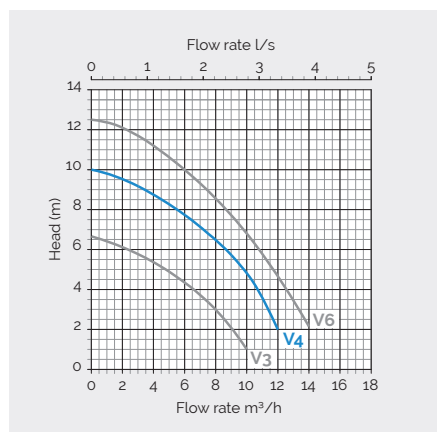
Technical data

PUMP SPECIFICATIONS

Pump type	V4
Pump type	Vortex
Control	Automatic
Power supply	230 VAC
Rated current	4.0 A
Motor rating (P2)	360 W
Revs per min.	2800 rpm
Discharge size	1½"
Free passage	10 mm
Max. vertical	10 m
Max. flow rate	3.3 L/s
Max liquid temp.	<40 °C
Cable length	5 m
Weight	6.0 kg



Delta V4 Submersible Pump

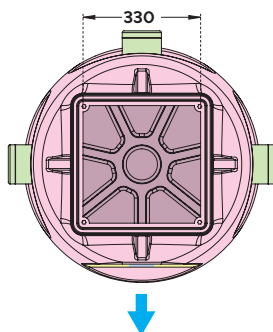


All dimensions are in millimetres (mm) and are to the invert level (bottom of pipe). All capacities are in litres (l).



CHAMBER SPECIFICATIONS

Chamber	Dual V3/4/6 Sump
Material	Tank-grade HDPE
Volume below inlets	87 litres
Clear opening	330 mm x 330 mm
Fixed inlets	3 x 110mm
Discharge	1½" BSP Class E
Cable duct	2" / 50mm



Positioning connections

Discharge only
Inlet location allowed
Inlet, cable ducts or vent allowed
Cable ducts and vents only
No drilling allowed

Other information

All data and information contained in these Product/Technical Data Sheets is up-to-date and correct as at the date of issue. The information given is suggested as guidance and should only be used for evaluating your specific application. Delta Membrane Systems Limited cannot control or anticipate the conditions under which this product may be used, each user should review the information in specific context of the planned use. The information contained in these Product/Technical Data Sheets should not be considered a warranty, expressed, or implied, including but not limited to a warranty of merchantability or fitness for a particular purpose. In no event shall Delta Membrane Systems Limited be liable for any incidental or consequential damages resulting from the use, misuse, or inability to use the product. This exclusion applies regardless of whether such damages are sought based on breach of warranty, breach of contract, negligence, strict liability in tort, or any other legal theory. When in doubt, contact Delta's Technical Team on 01992 523 523.