

PRODUCT DATA SHEET

Delta Dual V6 Packaged Pumping Station



Description

Manufactured to the highest of quality, the Delta Dual V6 package pump station can meet the requirements of the toughest environment. The Delta Dual V6 has the capabilities to discharge water ingress from surface areas over 150m² or basements that require a head height up to 10 m.

The Delta Dual V6 packaged pump station has been distinctively designed to work in harmony with the Delta Type C System, to collect groundwater via a perimeter drainage channel or modular drainage.

Manufactured from high-density polyethylene (HDPE), this package pump station can effortlessly withstand the strongest hydrostatic stress.

The Delta Dual V6 pump station package includes chamber, all internal pipe work and two powerful Delta V6 Submersible Pumps. The system's pumps are factory-set to activate at different levels, providing both primary and secondary protection.

The powerful Delta V6 Submersible Pump offers innovative design and advanced technology making it extremely reliable even when subjected to continuous use (subject to correct installation).

Features

- Suitable for ground, surface, storm, and grey water applications
- Flow rate up to 2L/s at head of 10m
- Chamber manufactured from superior virgin tank grade HDPE enabling the Delta Dual V6 to withstand hydrostatic forces encountered in applications with high water tables
- All internal pipework is pre-assembled within chamber including non-return valve
- Quick and simple installation
- Supplied with two powerful Delta V6 Submersible Pumps
- Suitable for residential, commercial and heritage projects

Specification

- NBS Specification R18 (Clause 310) Pumping Stations and Pressure Pipelines
- BS 8102:2022 Type C Drained Protection

Associated products

- Battery backup systems
- High-level alarms
- Remote monitoring
- External pipework
- Pumps
- Access covers
- Additional inlets

Product details

DMS 079



PRODUCT DATA SHEET

Delta Dual V6 Packaged Pumping Station

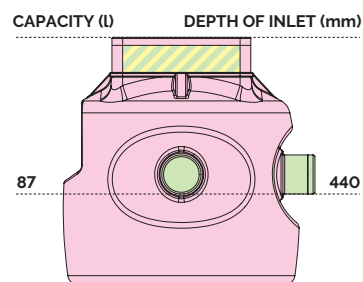
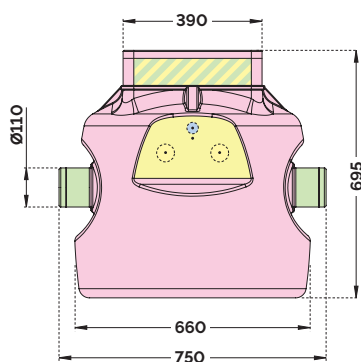
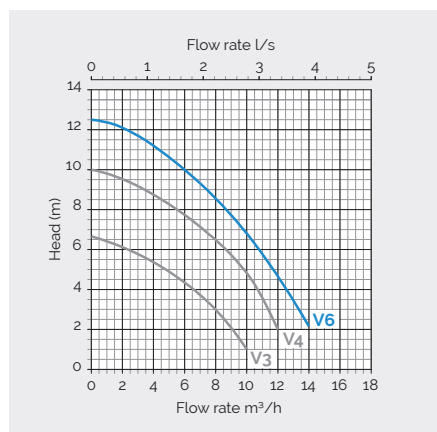
Technical data

PUMP SPECIFICATIONS

Pump type	V6
Pump type	Vortex
Control	Automatic
Power supply	230 VAC
Rated current	4.9 A
Motor rating (P2)	500 W
Revs per min.	2800 rpm
Discharge size	1½"
Free passage	10 mm
Max. vertical	12.5 m
Max. flow rate	3.9 L/s
Max liquid temp.	<40 °C
Cable length	5 m
Weight	6.9 kg



Delta V6 Submersible Pump

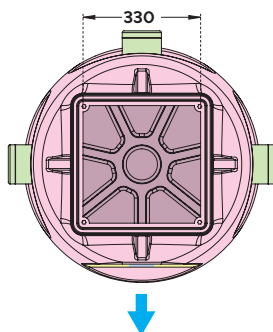


All dimensions are in millimetres (mm) and are to the invert level (bottom of pipe). All capacities are in litres (l).



CHAMBER SPECIFICATIONS

Chamber	Dual V3/4/6 Sump
Material	Tank-grade HDPE
Volume below inlets	87 litres
Clear opening	330 mm x 330 mm
Fixed inlets	3 x 110mm
Discharge	1½" BSP Class E
Cable duct	2" / 50mm



Positioning connections

Discharge only
Inlet location allowed
Inlet, cable ducts or vent allowed
Cable ducts and vents only
No drilling allowed

Other information

All data and information contained in these Product/Technical Data Sheets is up-to-date and correct as at the date of issue. The information given is suggested as guidance and should only be used for evaluating your specific application. Delta Membrane Systems Limited cannot control or anticipate the conditions under which this product may be used, each user should review the information in specific context of the planned use. The information contained in these Product/Technical Data Sheets should not be considered a warranty, expressed, or implied, including but not limited to a warranty of merchantability or fitness for a particular purpose. In no event shall Delta Membrane Systems Limited be liable for any incidental or consequential damages resulting from the use, misuse, or inability to use the product. This exclusion applies regardless of whether such damages are sought based on breach of warranty, breach of contract, negligence, strict liability in tort, or any other legal theory. When in doubt, contact Delta's Technical Team on 01992 523 523.