

DELTA MEMBRANE SYSTEMS LTD
DELTA CHANNEL



CONTENTS

OVERVIEW	03
CHANNEL VARIATIONS	04
STRAIGHT CONNECTORS & CORNER PIECES	05
T PIECES & END CAPS	06
110mm DRAINAGE OUTLET & INSPECTION PORTS	07
JETTING EYES & ACCESS PORT UNITS	08
RECOMMENDATIONS	09
DIAGRAM	10

OVERVIEW

A Cavity Drainage System manages water penetration. A Cavity Drainage System comprises of a range of products that collectively manage water ingress at weaknesses within a structure and then discharge this collective water in a controlled fashion.

Delta Channel is a component part used within the Type C Cavity Drainage System. Delta Channel is a distinctive yellow, PVC drainage conduit designed to manage water ingress. Delta Channel is bedded into a preformed rebate at the vulnerable floor/wall junction and is suited for use in conjunction with Delta's Cavity Drain membrane range.

Water enters the Channel via preformed holes and is diverted into a suitable drainage point, either mechanical (sump pump/package pump station such as a Delta Dual V3 System) or natural (gravity fed). Delta Channel is particularly suited as a component within the Type C Cavity Drainage System as water ingress through a structures walls, floors or curved soffits is controlled behind the membranes and diverted into the Delta Channel.

We recommend one Package Pump System should be installed for each 50 linear metre run of Channel; length of each Channel run to the Sump should not exceed 25m (in either direction). Delta Channel is supplied in 2 metre lengths and is available with or without an upstand. Delta Channel is 80 mm wide & 50 mm deep.

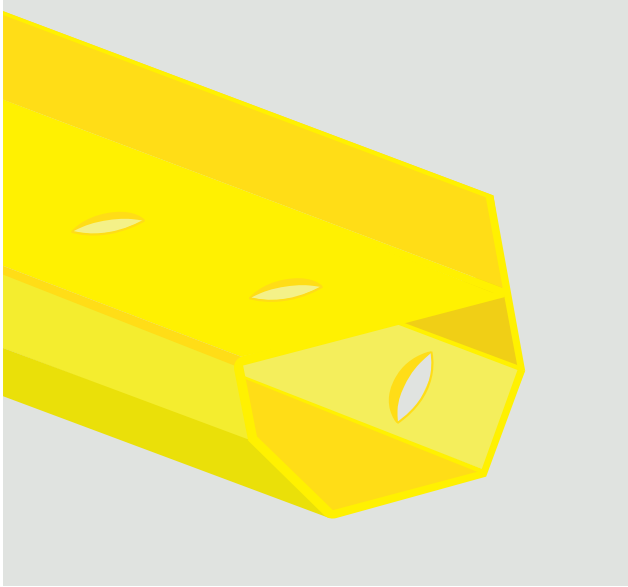


BENEFITS

- Controls water ingress
- Tough, durable design
- Quick & easy application
- Links to Sump Pump System
- Fast fit to link longer runs together



CHANNEL VARIATIONS



DELTA CHANNEL WITH UPSTAND

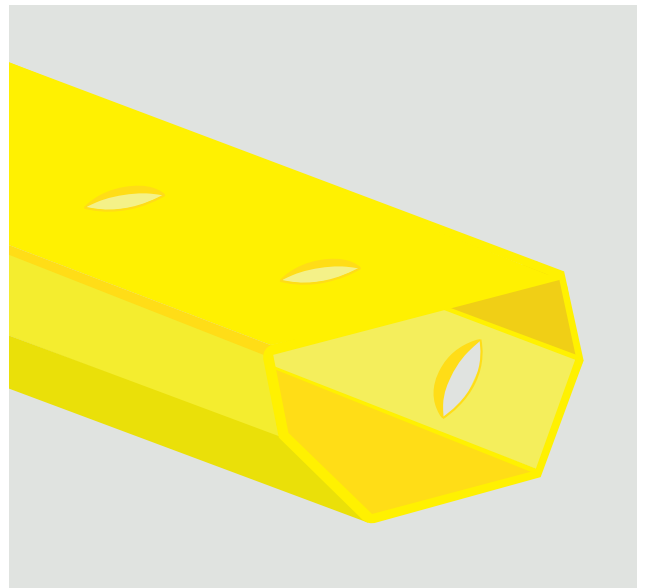
Product Code: DMS207

Drainage Conduit for collection of water at floor/wall construction. The upstand keeps the channel stable when abutting the Delta membrane on a perimeter wall.

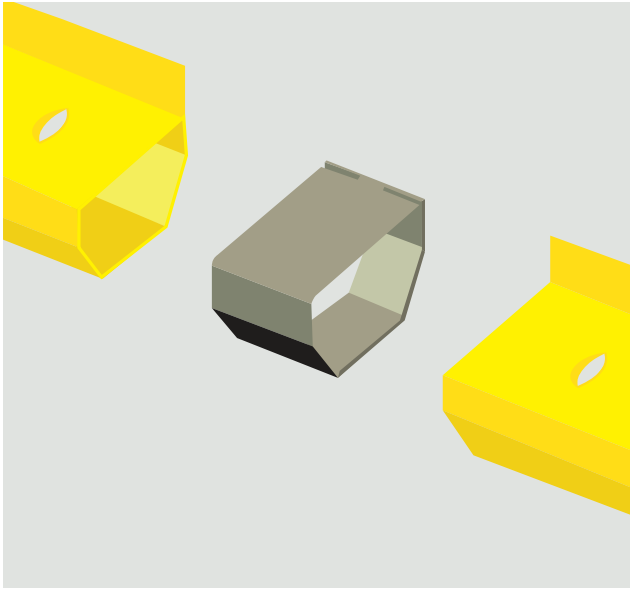
DELTA CHANNEL WITHOUT UPSTAND

Product Code: DMS208

Drainage Conduit for collection of water and is used where cross channels sit over construction joints in the middle of the floor, when Delta Channel is to be offset from the wall or to join two perimeter channels together across a floor.



STRAIGHT CONNECTORS & CORNER PIECES



STRAIGHT CONNECTORS

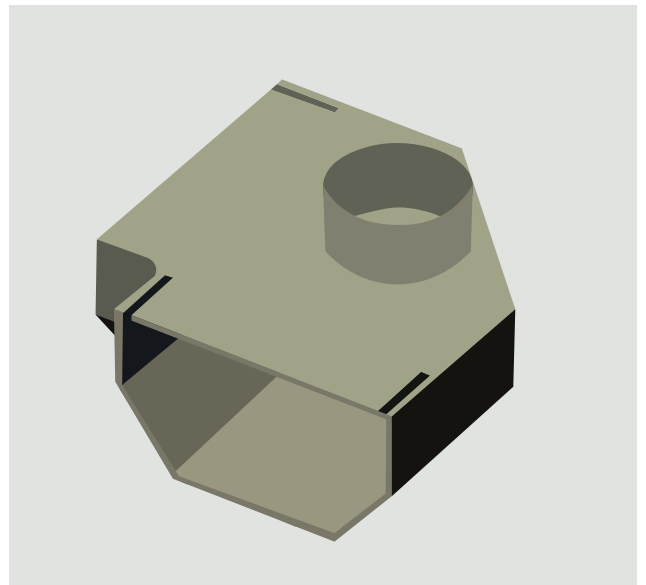
Product Code: DMS310

Straight Connectors have the ability to connect channel pieces with or without upstand. Also known as Delta "in Line".

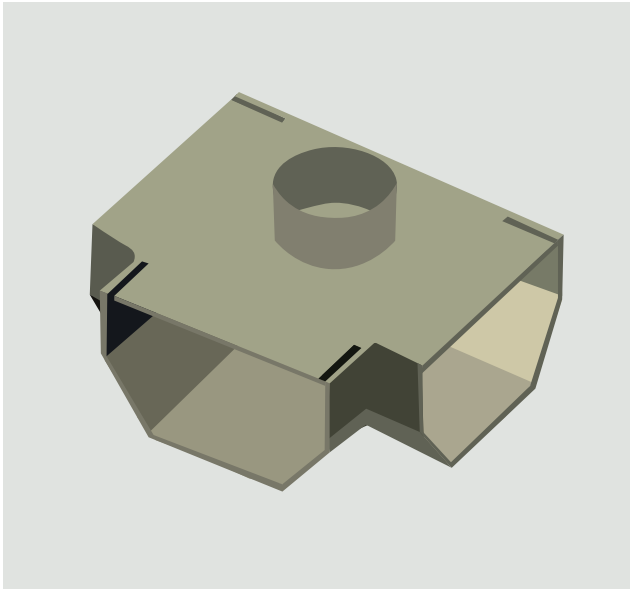
CORNER PIECES

Product Code: DMS182

Delta "90 degree" Corner Connector with "Push Out" feature for inspection port. Can be used to join lengths of Delta channels on both internal and external corner sections.



T PIECES & END CAPS



T PIECES

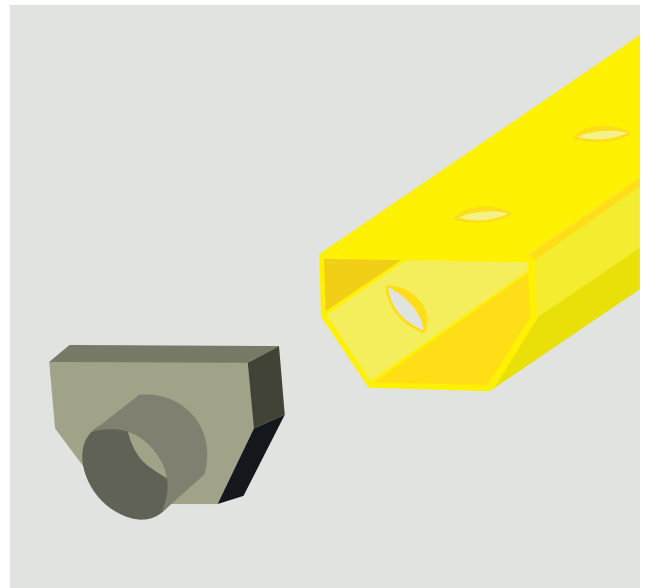
Product Code: DMS183

T Pieces, also known as "Tee Connectors", facilitates crossing 3 channels together to dissect the floor or to discharge to a centrally located sump pump. The T Pieces include a "Push Out" feature for inspection port, to service the system.

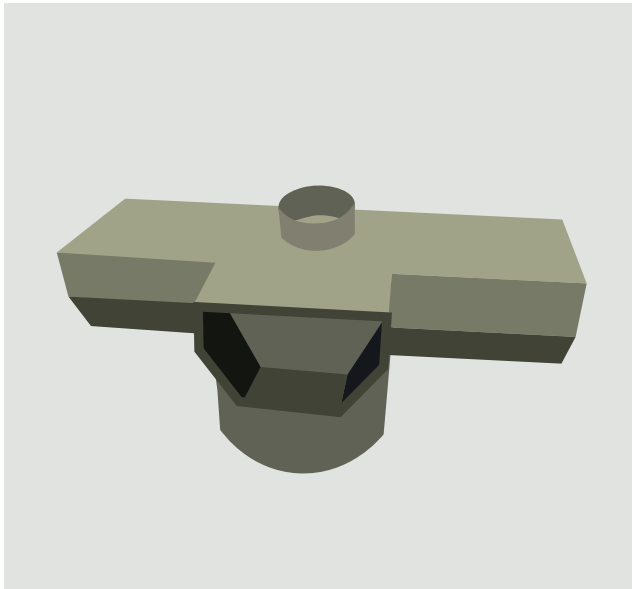
END CAPS

Product Code: DMS184

End Caps have a dual role and can work as either a blanking plate (at the far end of a channel run) or can be converted easily (with their "Push Out" feature) for easy fit of drainage pipe outlet (connector) to join with the sump pump station.



110mm DRAINAGE OUTLET & INSPECTION PORTS



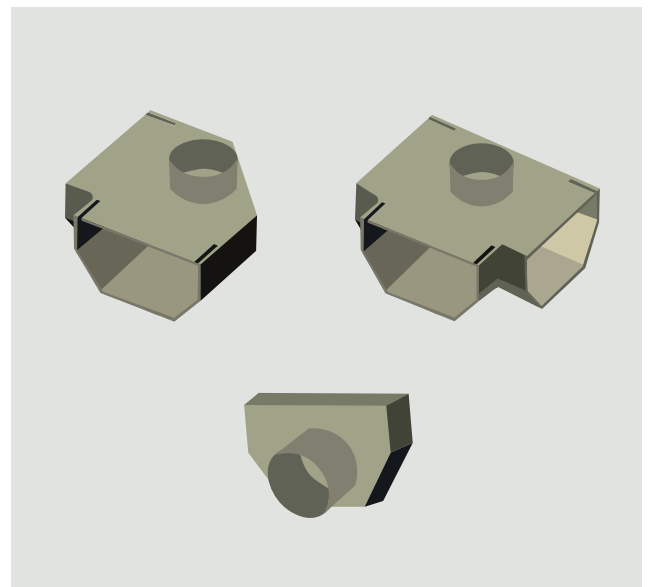
110mm Drainage Outlet

Product Code: DMS128

110mm Drainage Outlet is designed to join the channel to 110mm standard underground pipe. The 110mm Drainage Outlet consists of a 90° PVC bend and a PVC male coupling which is fitted to the base of Delta Channel to allow water to travel from the conduit to the water collection point (sump pump). The 110mm Drainage Outlet can also accept an inspection port and has the ability cross floor channels.

INSPECTION PORTS

All Delta Corner Pieces, T Pieces and End Caps can have "Push Out" features for inspection ports. Inspection Ports are designed to accept 40mm pipework/or pipe. In addition inspection ports are available in 200mm lengths of channel.



JETTING EYES & ACCESS PORT UNITS



JETTING EYES

Product Code: DMS094

The Jetting Eye creates a jetting access port / flushing point for the Delta drainage system. You can therefore maintain your drainage channels by water jetting any blockages at convenient flushing points.

ACCESS PORT UNITS

Product Code: DMS117

Placement: in 200mm section of channel

Inspection port within a straight section of Delta channel – facilitating incorporation of inspection / access ports within a straight run of Delta channel

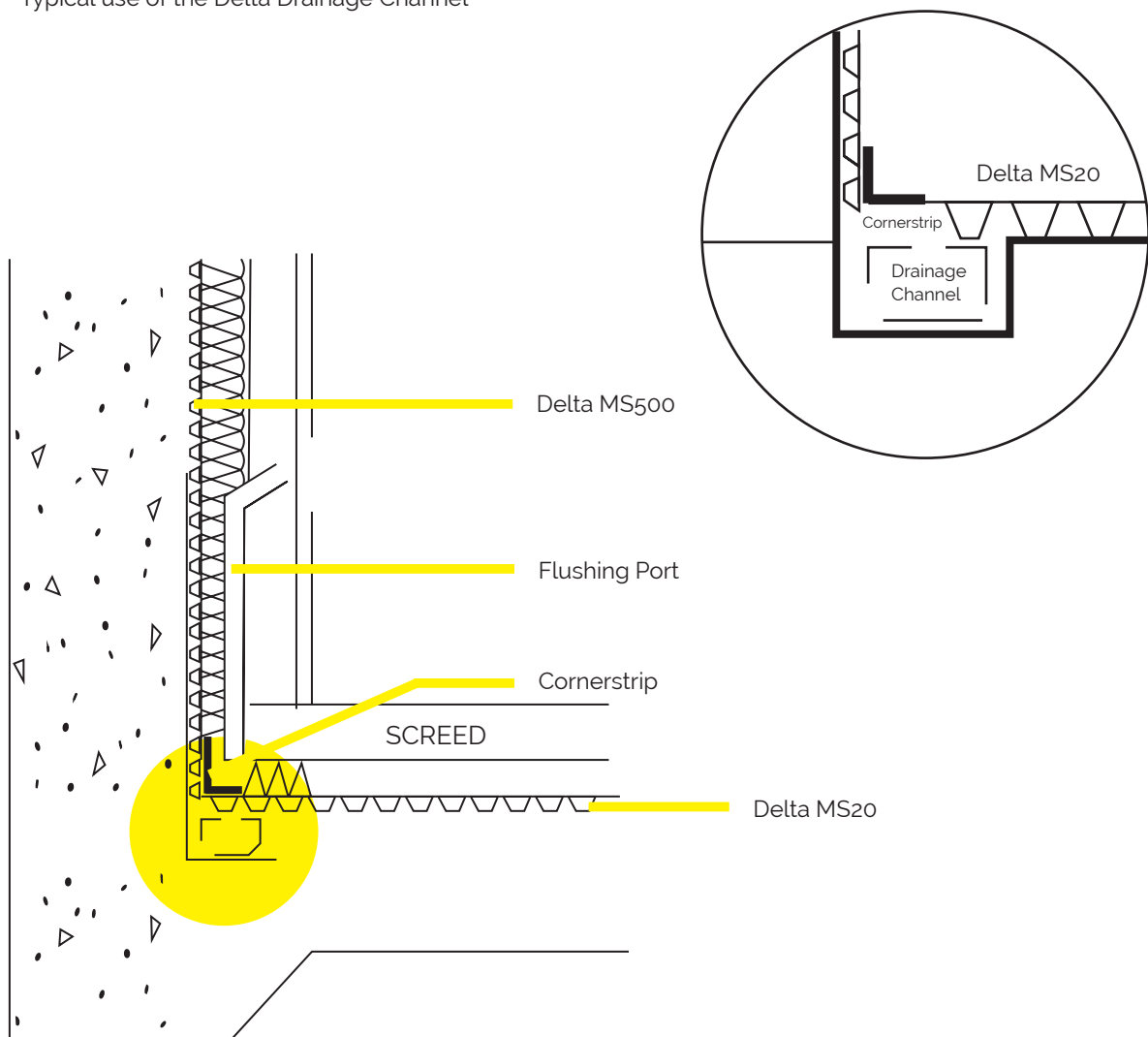


RECOMMENDATIONS

Inspection Ports within the Delta Channel should be installed to allow inspection and maintenance where required. We recommend that one Inspection Port should be incorporated into the Delta Channel every 6-8 linear metres.

TECHNICAL DRAWING

Typical use of the Delta Drainage Channel



DIAGRAM

