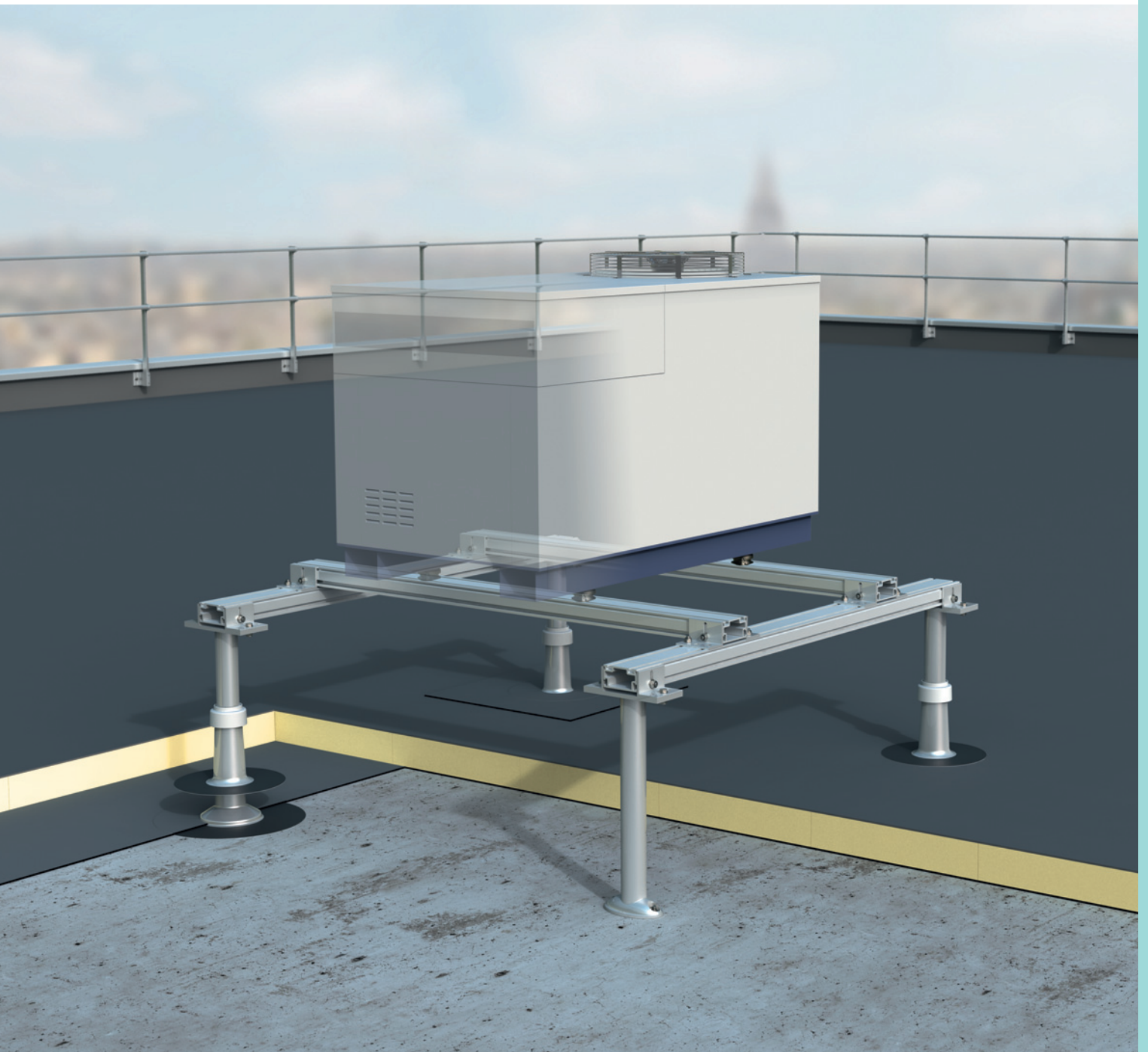


Sherpal[®]

Aluminium supporting structure
system for mechanical services
equipment on a flat roof



Sherpal®

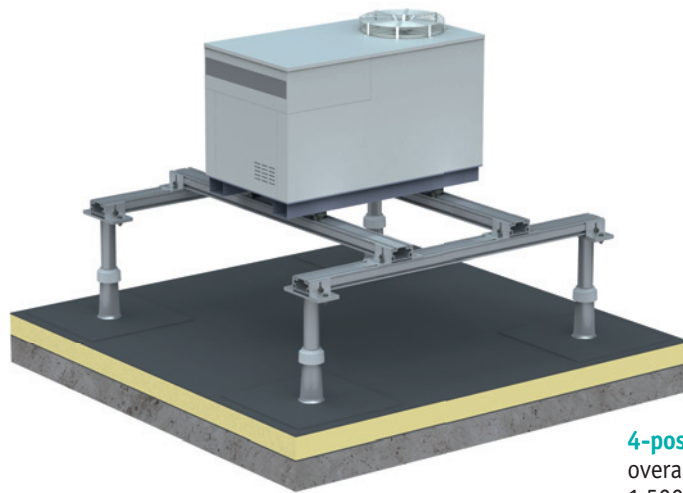
Description of the system

Sherpal is an aluminium supporting structure system for mechanical services equipment on a flat roof. It can be used for items of equipment such as a fan motor, air handling unit, etc.

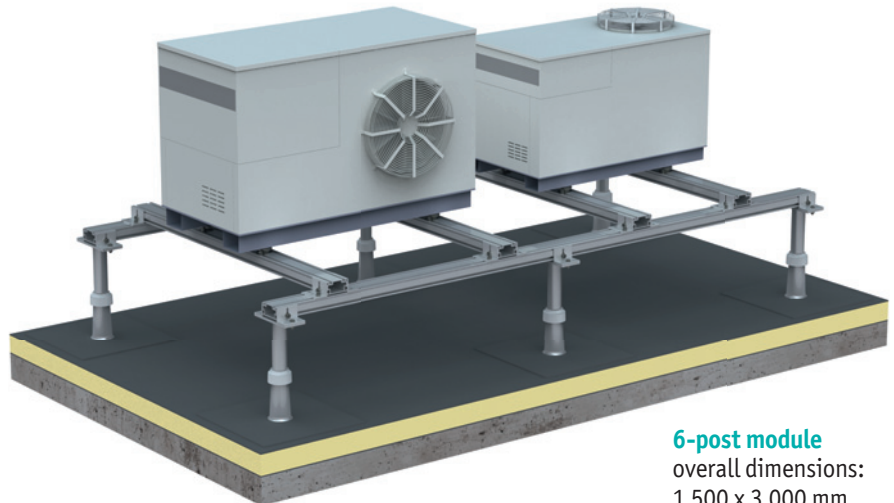
It is fixed to the concrete roof slab through the roof covering.



- + Available from stock and tested (snow and wind calculations available)
- + Three-point to facilitate fixing
- + Compatible with the changes to the thermal regulations



4-post module
overall dimensions:
1,500 x 1,500 mm



6-post module
overall dimensions:
1,500 x 3,000 mm

Field of application

The Sherpal system can be used in the following situations:

- Height of the building: **30 m max.**
- Wind zone: 3 max.

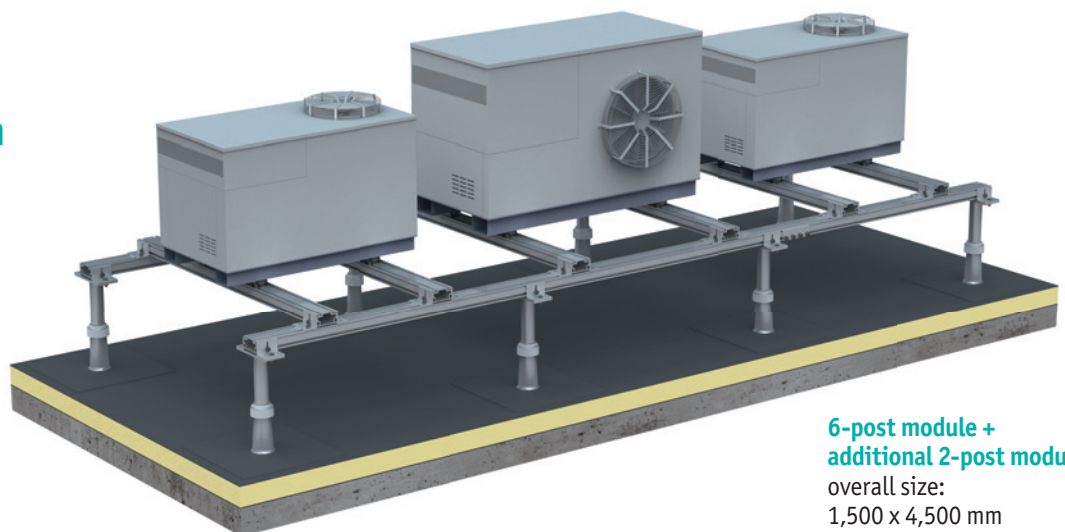
Type of equipment:

- Max. weight: **300 kg**
- Max. size: **1,400 mm** (for each of the three dimensions)

For any other requirements, please ask us.

Technical validation

The design complies with Eurocodes 0 and 1.



6-post module + additional 2-post module
overall size:
1,500 x 4,500 mm

Description of the system

The posts

Dimensioned according to the thickness of the roof covering and the width of the equipment to be fixed.

The aluminium sleeve-plate units

Pre-coated with bituminous primer for making good up to the roof covering.

The thermo-plastic collar

Forming a flashing, to terminate the roof covering.

The beams

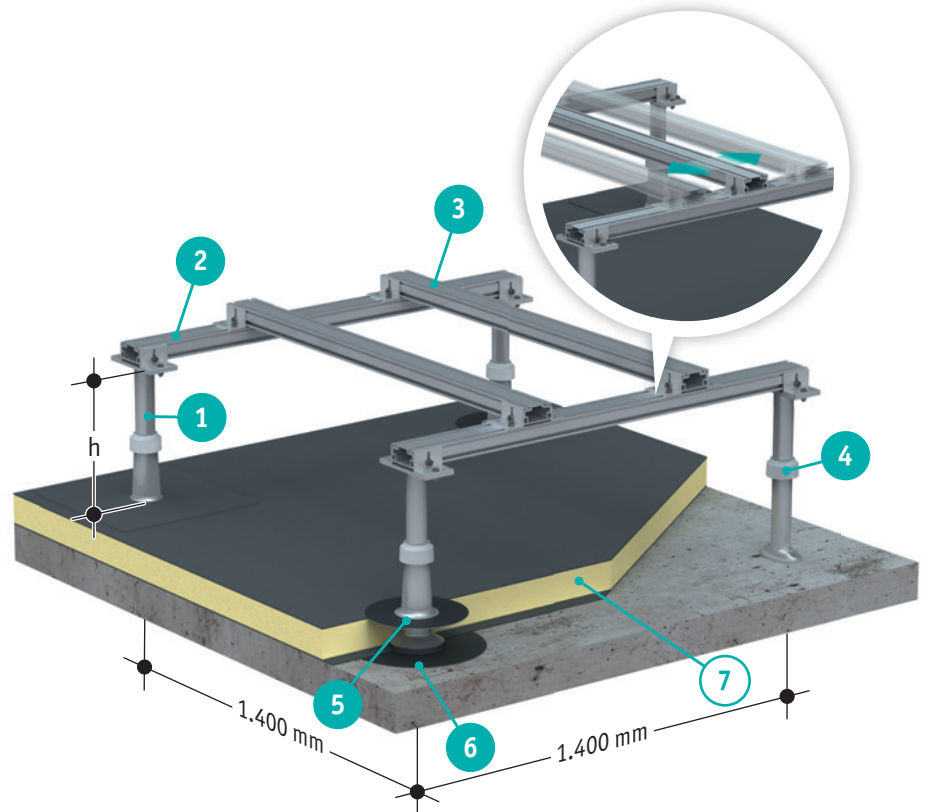
Supplied in lengths of 1,500 mm or 3,000 mm to suit the selected layout.

The cross-beams

Supplied in lengths of 1,500 mm.

2 per module (or more, depending on the size and the number of items of equipment to be fixed)

A system of slide-rails allows their positions to be adjusted to the dimensions of the equipment.



- 1 Post
- 2 Beam
- 3 Cross-beam
- 4 Collar
- 5 Upper sleeve-plate unit
- 6 Bottom sleeve-plate unit
- 7 Roof covering

Width of the equipment	Clear height (h)
≤ 1.200 mm	400 mm
> 1.200 mm	800 mm

Sample specification

Sherpal®

Aluminium supporting structure for mechanical services equipment on a flat roof

Aluminium supporting structure system, fixed into the concrete roof slab, for mechanical services equipment, type Sherpal as manufactured by dani alu (phone: +33 4 78 87 12 48);

The system is formed using posts with shoe plates D, mechanically fixed into the roof slab, a sleeve-plate faced in the factory with bituminous primer for making good the roof covering over the insulation and an elastomer collar to form a flashing, terminating the roof covering at the top.

At the tops of the posts, aluminium beams and cross-beams are provided, section 99 x 54 mm, type Sherpal.

The dimensions of each of the items of equipment to be fixed are:

_____ mm long
 _____ mm wide
 _____ mm high ;

The weight of each of the items of equipment is:

_____ kg

Installation and qualifications

Installation shall be carried out by a contractor providing evidence of qualifications (flat roof coverings).

Equipment supplied ready to fix.

Note : The connection between the equipment and the support shall be detailed by the supplier of the equipment so as not to transmit vibrations to the structure.



dani alu UK Ltd.
 Hexagon House, Avenue Four
 Witney, Oxfordshire, OX28 4BN
 Phone: 01865 595160
 Fax: 01865 595161
 E-mail: contact@danialu.co.uk
www.danialu.com

Sherpal®

Date: _____ Page: _____ of _____

Company / Address / Company stamp : _____

Phone: _____ Contact: _____

Fax: _____ Mobile: _____

Site reference: _____ E mail: _____

Order

Request for quotation

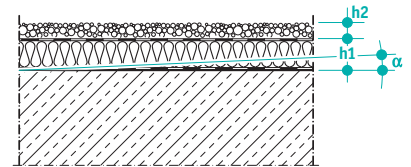
Equipment :

Nature of the equipment to be fixed:	height (mm)	width (mm)	length (mm)	unit weight (kg)	quantity (No.)
.....					
.....					
.....					

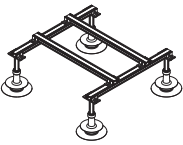
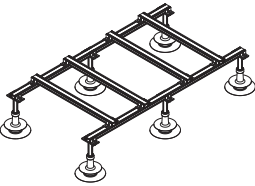
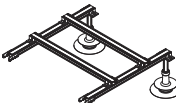

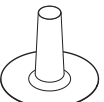
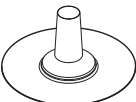
Characteristics of the roof slab:

Roof covering h1 (mm) _____ Chippings thickness h2 (mm) _____

Slope (degrees) _____ Roof covering: bituminous synthetic other



Modules :

	 4-post module	 6-post module	 Additional module	 Additional cross-beam
Quantity (No.)
 Upper sleeve-plate unit	<input type="checkbox"/> yes <input type="checkbox"/> no	<input type="checkbox"/> yes <input type="checkbox"/> no	<input type="checkbox"/> yes <input type="checkbox"/> no	
 Bottom sleeve-plate unit	<input type="checkbox"/> yes <input type="checkbox"/> no	<input type="checkbox"/> yes <input type="checkbox"/> no	<input type="checkbox"/> yes <input type="checkbox"/> no	