

Rivnet[®]

Aluminium roof edging and parapet
wall raising piece system



Content	page
Description of the system	3
Roof edging	
Rivnet series 80	4 – 5
Rivnet EWIS	6 – 7
Parapet wall raising piece	
Composite Rivnet series 80	8 – 9
One-piece Rivnet series 115	10 – 12
Rivnet Folio series	13 – 14
Sample specification clauses	15
Order / Request for quotation	16

Patented system. Registered trade marks and designs
Examples of use are given for information purposes only.
In the catalogue, all measurements are given in mm.

Rivnet®

Description of the system

Rivnet is the registered trade mark of an extruded aluminium roof edging and parapet wall raising piece system.

Function

● Roof edging

The roof edging strips have two essential functions:

- the function of a drainage or weather drip strip, to keep rainwater away from the external wall facings and thus protect them;
- to provide a stop for and to make good the roof covering at the edge of the parapet wall.

● Parapet wall raising pieces

In addition to these two functions, the parapet wall raising pieces also raise the roof covering above the level of the existing parapet wall. The parapet wall raising piece is used when the height of the parapet wall does not comply with the regulations, for example, after the addition of insulation on the roof.

● Rivnet Folio series

Roof edging system that provides a mechanical fixing for roofing membranes by clamping them between two aluminium profiles.

Elements of the system

- The profiles of a standard length of 3000 mm. Their fixing flange is provided with factory-drilled holes.
- In the case of the parapet wall raising piece, the system can be supplemented by the Rivnet capping profile, which protects the roof covering skirting at the top.
- The accessories: Junction pieces, internal and external angles
- The Danivit stainless steel fixings

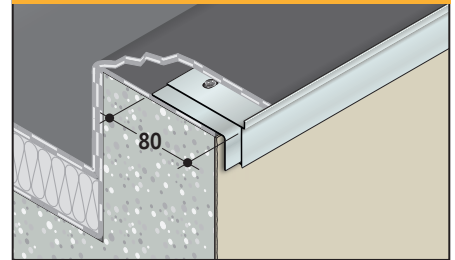
Finishes

- Mill finish aluminium: non-treated aluminium, reflective appearance, turning matt over time
- Danilac powder-coated aluminium, colour RAL 9006 white aluminium
- Danilac powder-coated aluminium to any RAL colour

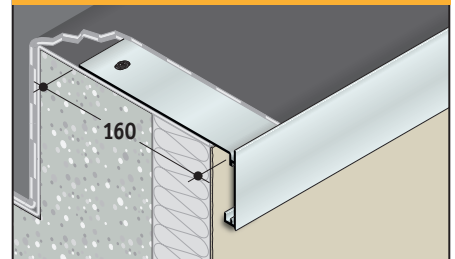
Specification

The use of accessories (junction pieces, internal and external angles) is obligatory for installation in accordance with good practice.

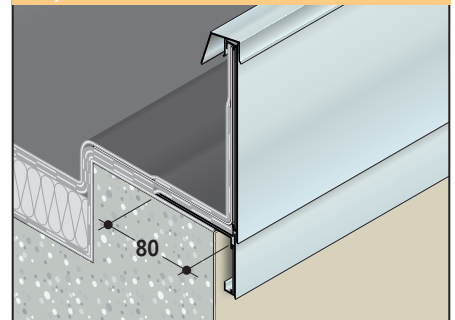
Rivnet series 80



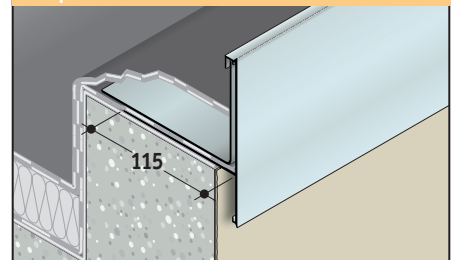
Rivnet EWIS



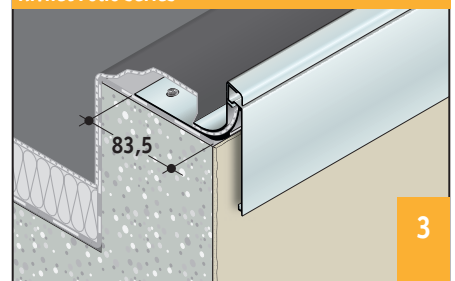
Composite Rivnet series 80



One-piece Rivnet series 115



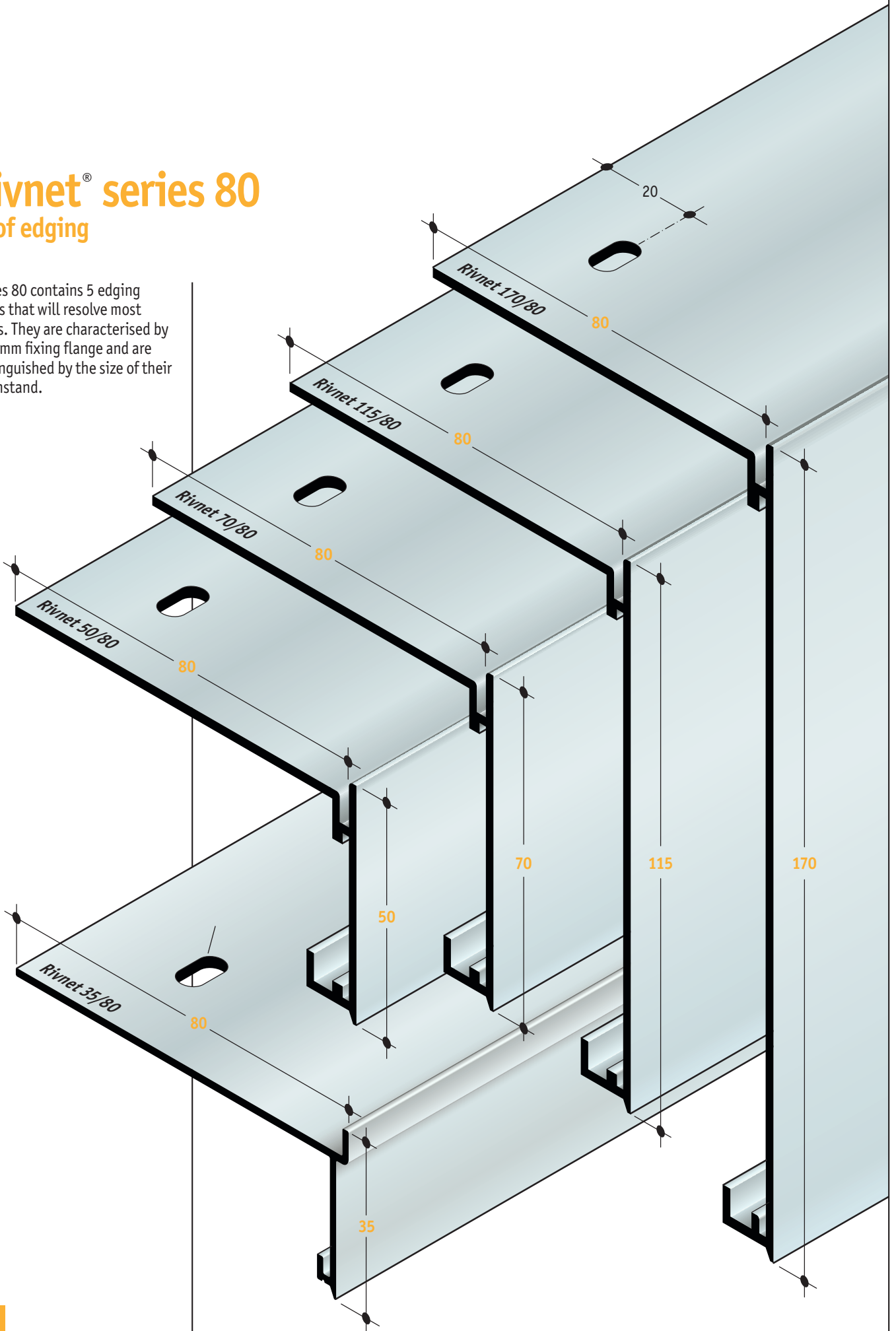
Rivnet Folio series



Rivnet® series 80

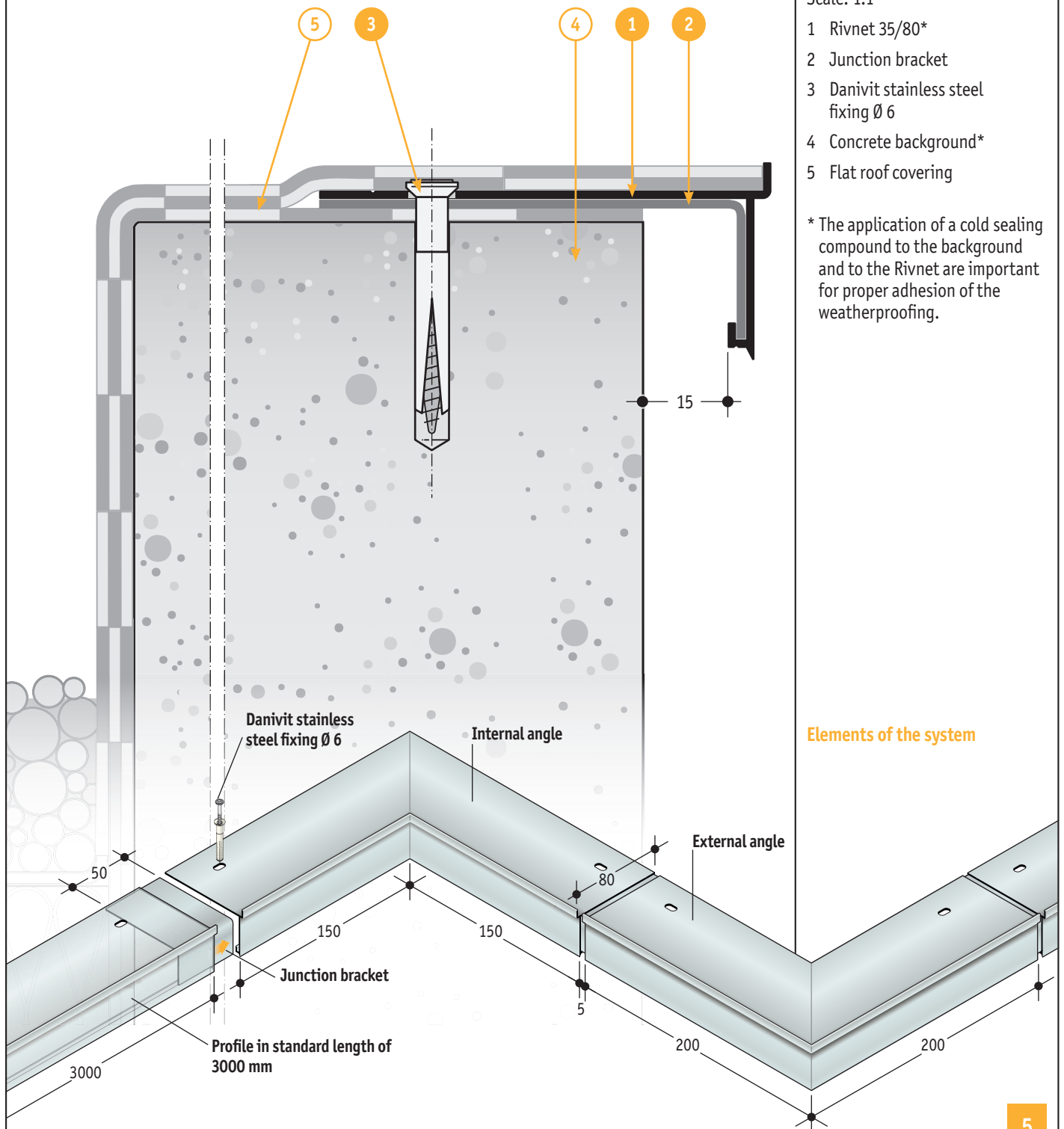
Roof edging

Series 80 contains 5 edging strips that will resolve most cases. They are characterised by a 80 mm fixing flange and are distinguished by the size of their downstand.



Rivnet[®] series 80

Roof edging



Example of use

Rivnet 35/80

Scale: 1:1

- 1 Rivnet 35/80*
- 2 Junction bracket
- 3 Danivit stainless steel fixing $\varnothing 6$
- 4 Concrete background*
- 5 Flat roof covering

* The application of a cold sealing compound to the background and to the Rivnet are important for proper adhesion of the weatherproofing.

Elements of the system

Rivnet EWIS®

The shapes and sizes of these Rivnet units provide a solution for special cases, particularly when external wall insulation systems are in use.

Rivnet 60/115

Its 20 mm raising piece allows thick weatherproofing systems to be concealed.

Rivnet 60/160

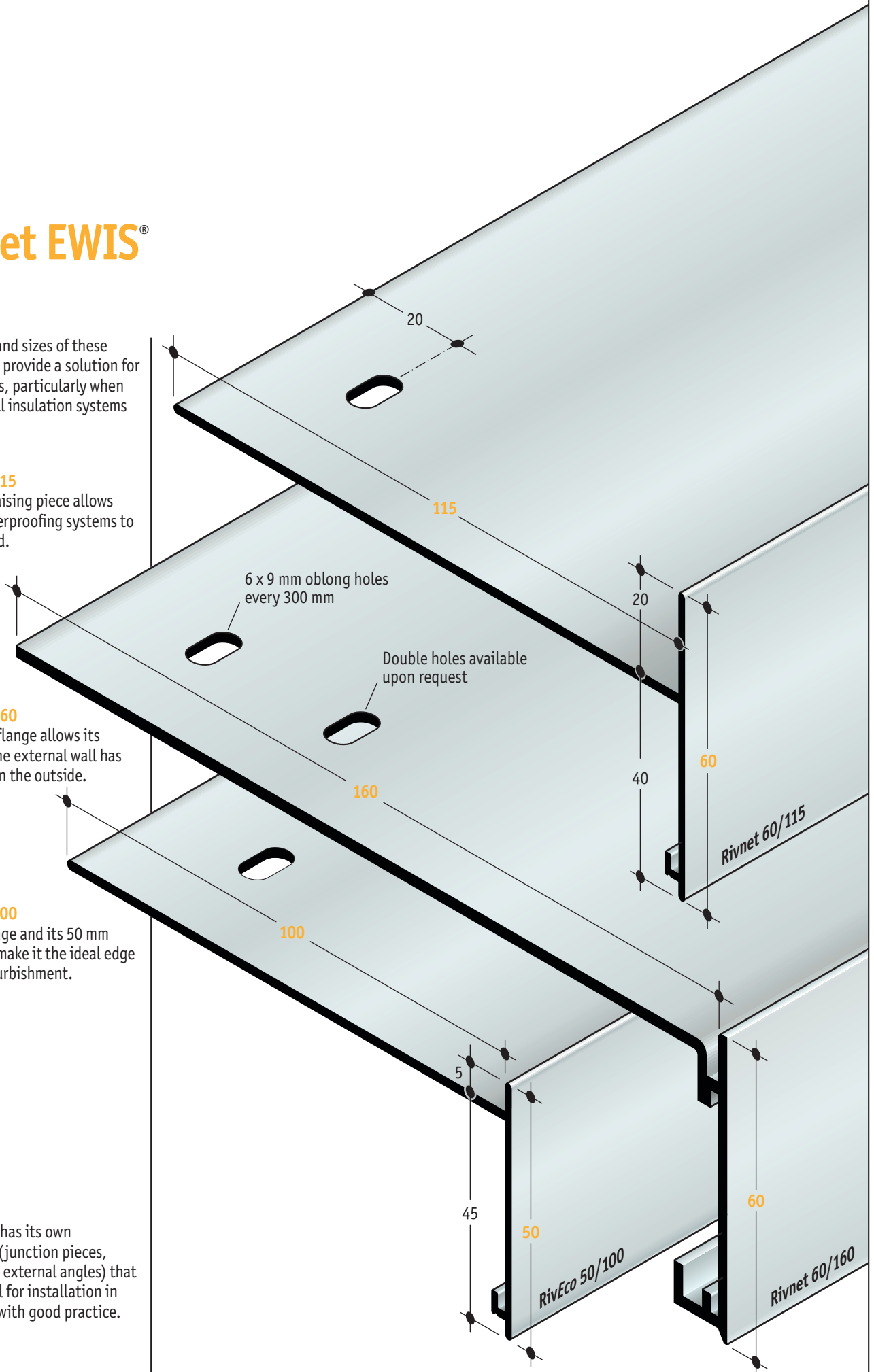
Its 160 mm flange allows its use where the external wall has insulation on the outside.

RivEco 50/100

Its wide flange and its 50 mm downstand make it the ideal edge strip for refurbishment.

Accessories

Each profile has its own accessories (junction pieces, internal and external angles) that are essential for installation in accordance with good practice.



Rivnet EWIS

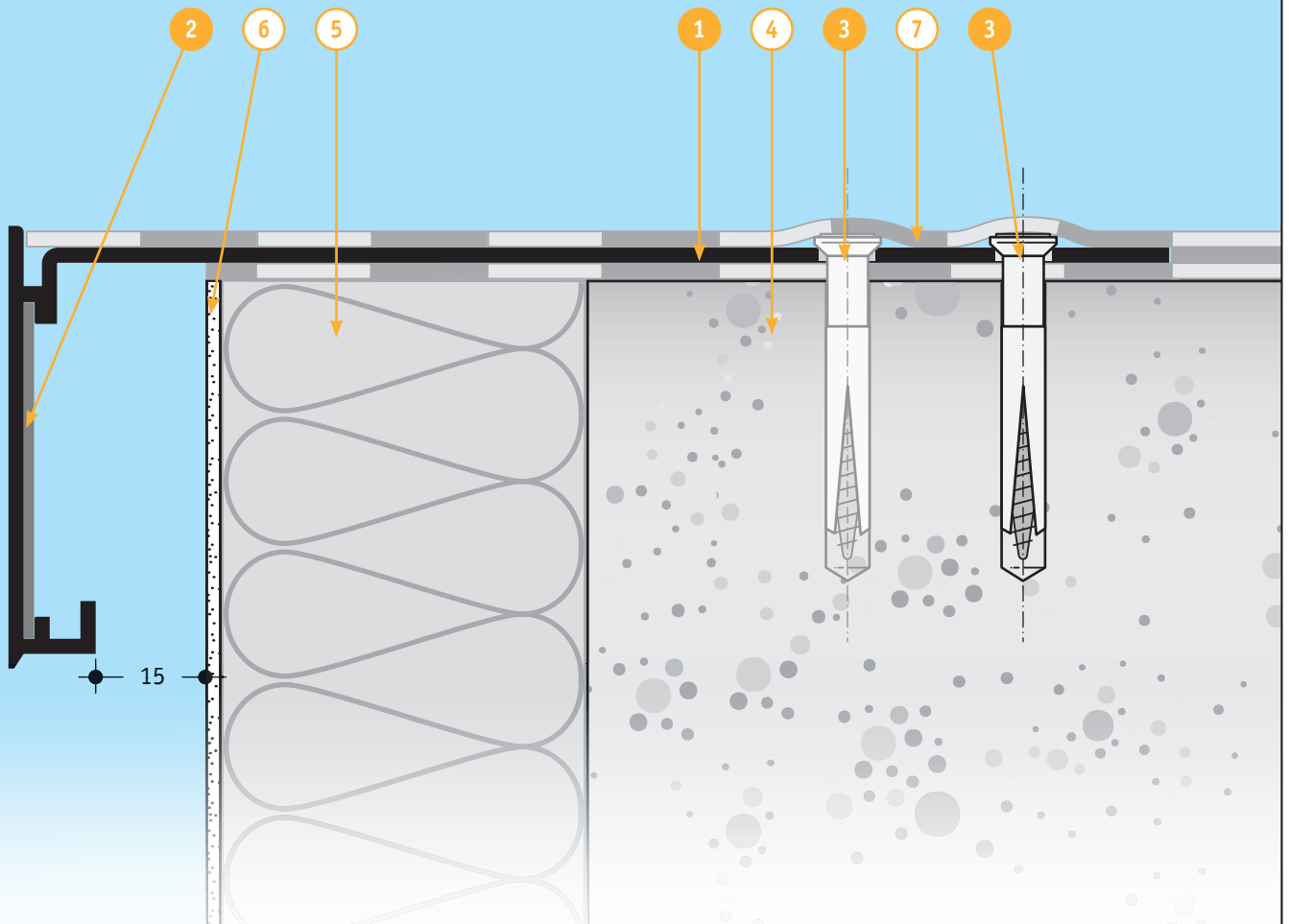
Example of use Rivnet 60/160

Scale: 1:1

- 1 Rivnet 60/160*
- 2 Junction piece
- 3 Danivit stainless steel fixing $\varnothing 6$ (Double holes possible on request)
- 4 Concrete background*

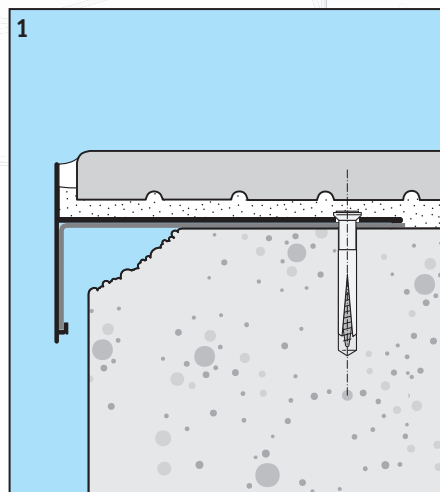
- 5 Insulation
- 6 Facing
- 7 Flat roof covering

* The application of a cold sealing compound to the background and to the Rivnet are important for proper adhesion of the weatherproofing.



Some ideas for use...

- 1 **Roof finish stop bead to conceal spalling**
- 2 **Circular roofs**
Rivnet is fitted to the curve by factory-cutting of the flange to a given radius.



Rivnet® series 80 composite parapet wall raising piece

A combination of the various Rivnet is used to form a raising piece of the required height.

The Rivnet thus composed is supplied either in two sections to be clipped together easily on site (ease of handling, reduction of volume to transport), or in a single welded piece.

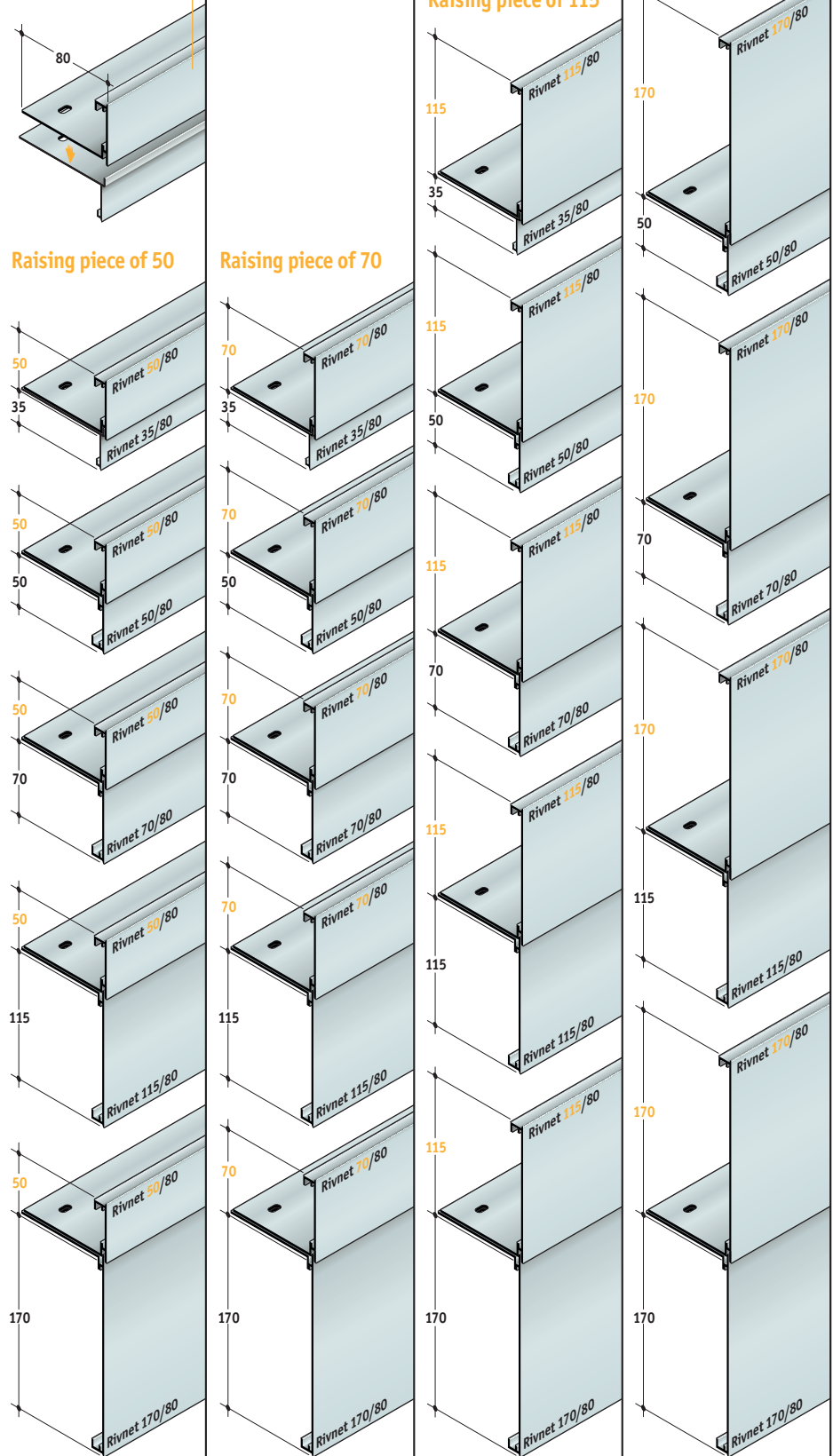
In your orders, always state the type of composite Rivnet selected.

The first figure indicates the upper Rivnet and the second the lower Rivnet.

Type of Rivnet	Visible height in mm
Raising piece of 50	
50/35/80	85
50/50/80	100
50/70/80	120
50/115/80	165
50/170/80	220
Raising piece of 70	
70/35/80	105
70/50/80	120
70/70/80	140
70/115/80	185
70/170/80	240
Raising piece of 115*	
115/35/80	150
115/50/80	165
115/70/80	185
115/115/80	230
115/170/80	285
Raising piece of 170*	
170/35/80	205
170/50/80	220
170/70/80	240
170/115/80	285
170/170/80	340

If a raising piece of more than 170 mm is required, please refer to the solutions in the Bandonet system shown in the Bandonet catalogue.

On the basis of the five standard patterns, it is possible to create twenty types of parapet wall raising pieces.



Rivnet® series 80

Composite parapet wall raising piece

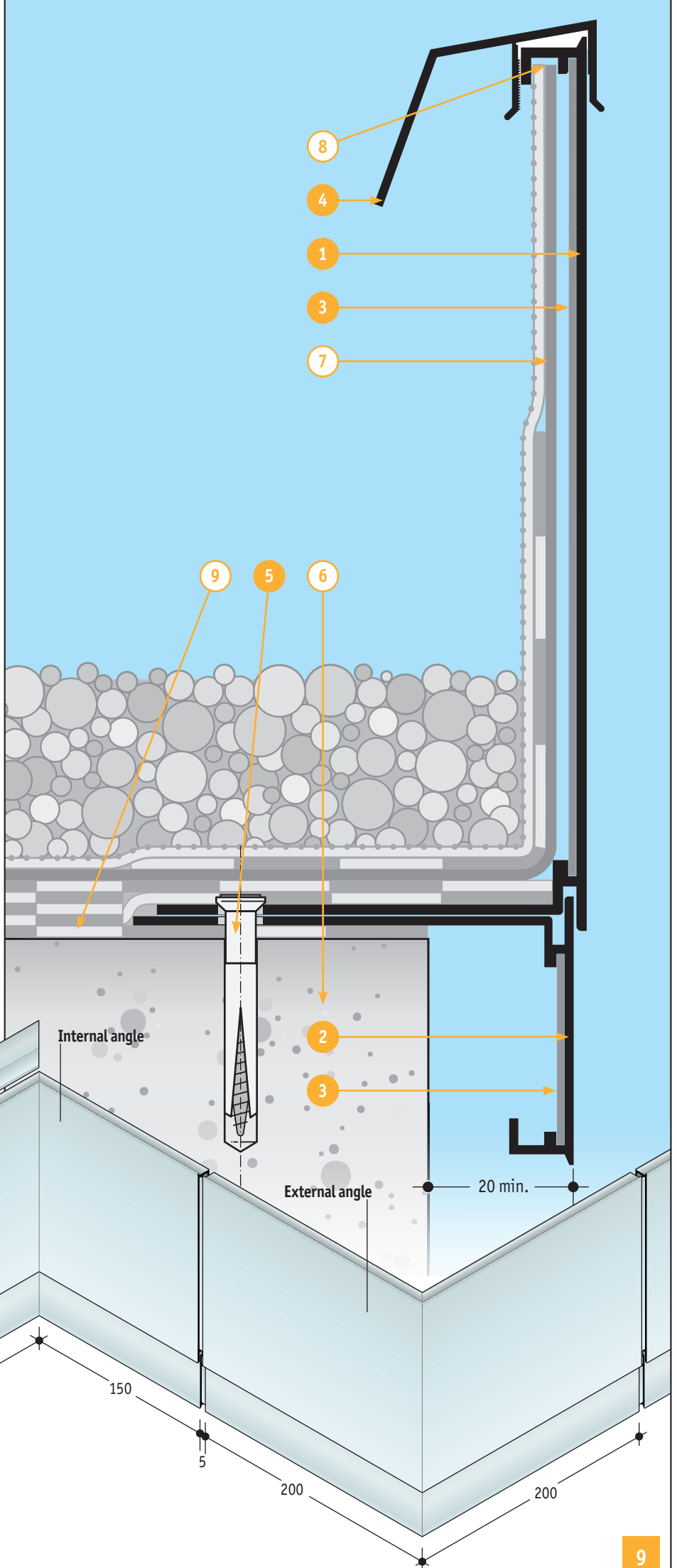
Example of use

Rivnet 170/50/80

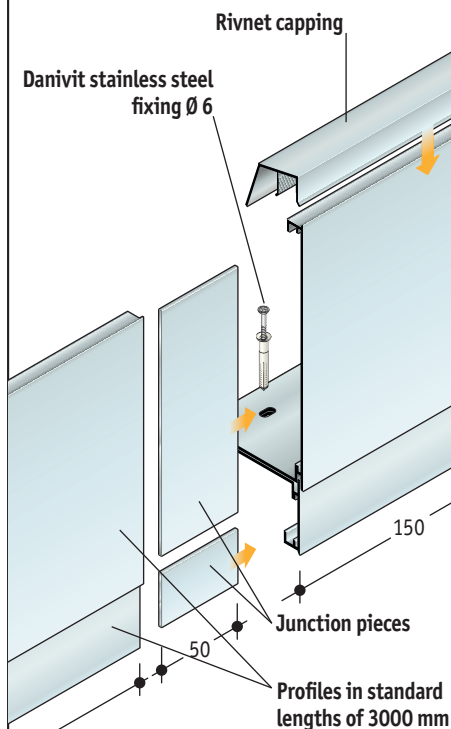
Scale: 1:1

- 1 Rivnet 170/80*
- 2 Rivnet 50/80
- 3 Junction piece
- 4 Rivnet capping
- 5 Danivit stainless steel fixing Ø 6
- 6 Concrete background*
- 7 Galvanised steel kerb (not supplied)*
- 8 Mastic adhesive
- 9 Flat roof covering

* The application of a cold sealing compound to the background and to the Rivnet are important for proper adhesion of the weatherproofing.



Elements of the system

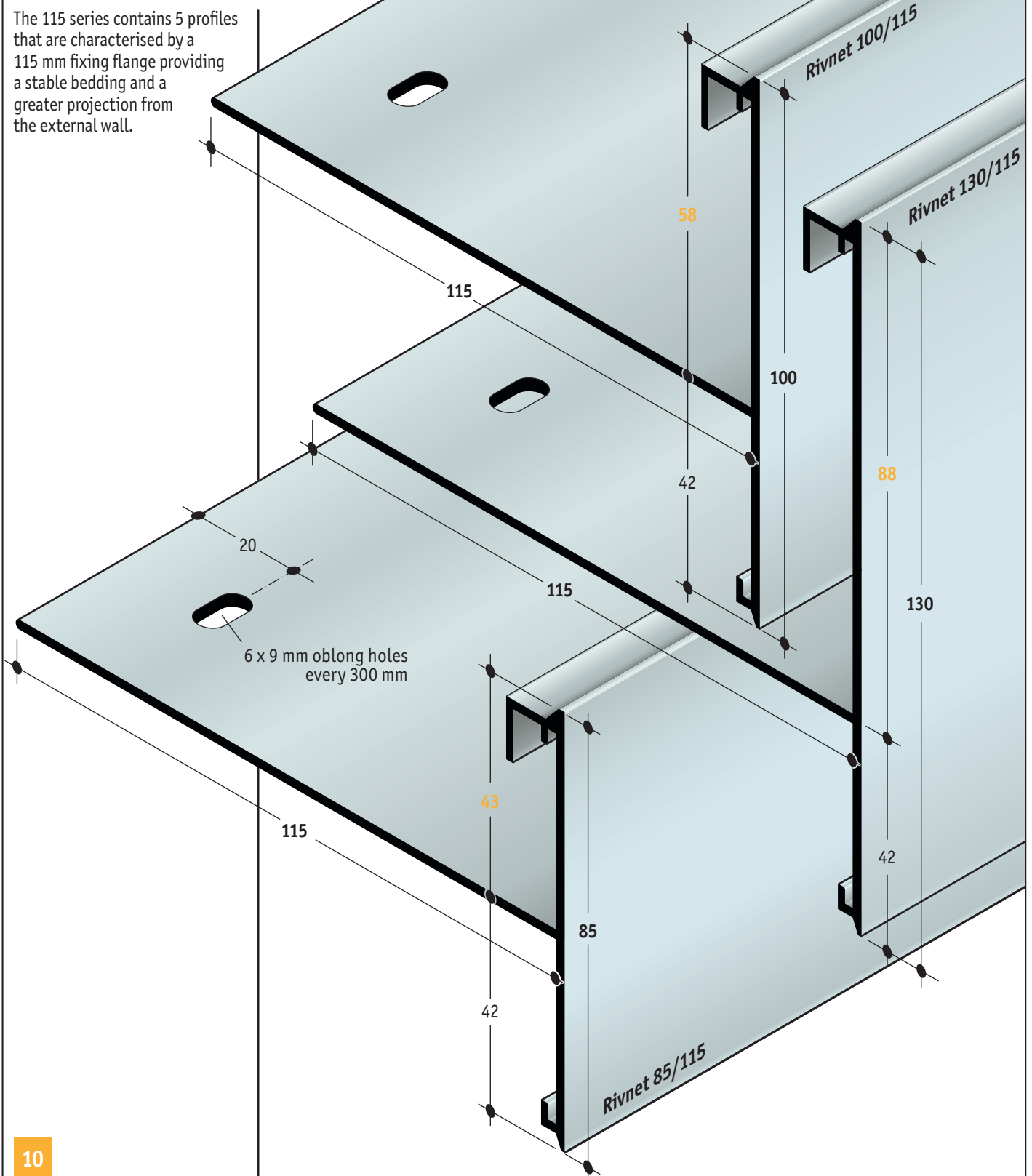


Type of Rivnet	Raising piece in mm	Lap in mm	Visible height in mm
85/115	43	42	85
100/115	58	42	100
130/115	88	42	130
170/115	128	42	170
200/115	158	42	200

Rivnet® series 115

One-piece parapet wall raising piece

The 115 series contains 5 profiles that are characterised by a 115 mm fixing flange providing a stable bedding and a greater projection from the external wall.



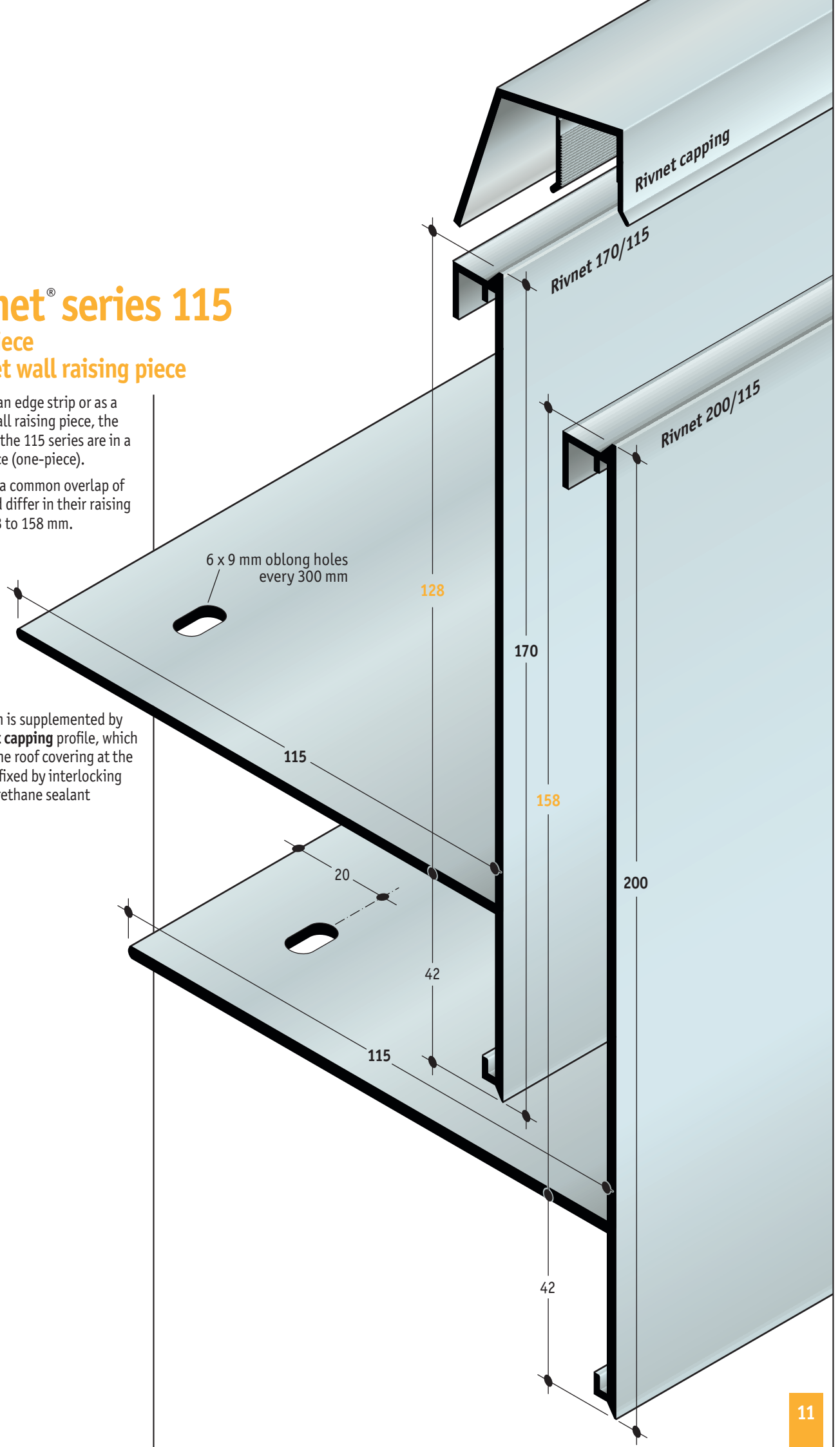
Rivnet® series 115

One-piece parapet wall raising piece

Usable as an edge strip or as a parapet wall raising piece, the profiles of the 115 series are in a single piece (one-piece).

They have a common overlap of 42 mm and differ in their raising piece of 43 to 158 mm.

The system is supplemented by the **Rivnet capping** profile, which protects the roof covering at the top and is fixed by interlocking and polyurethane sealant adhesive.



Rivnet[®] series 115

One-piece parapet wall raising piece

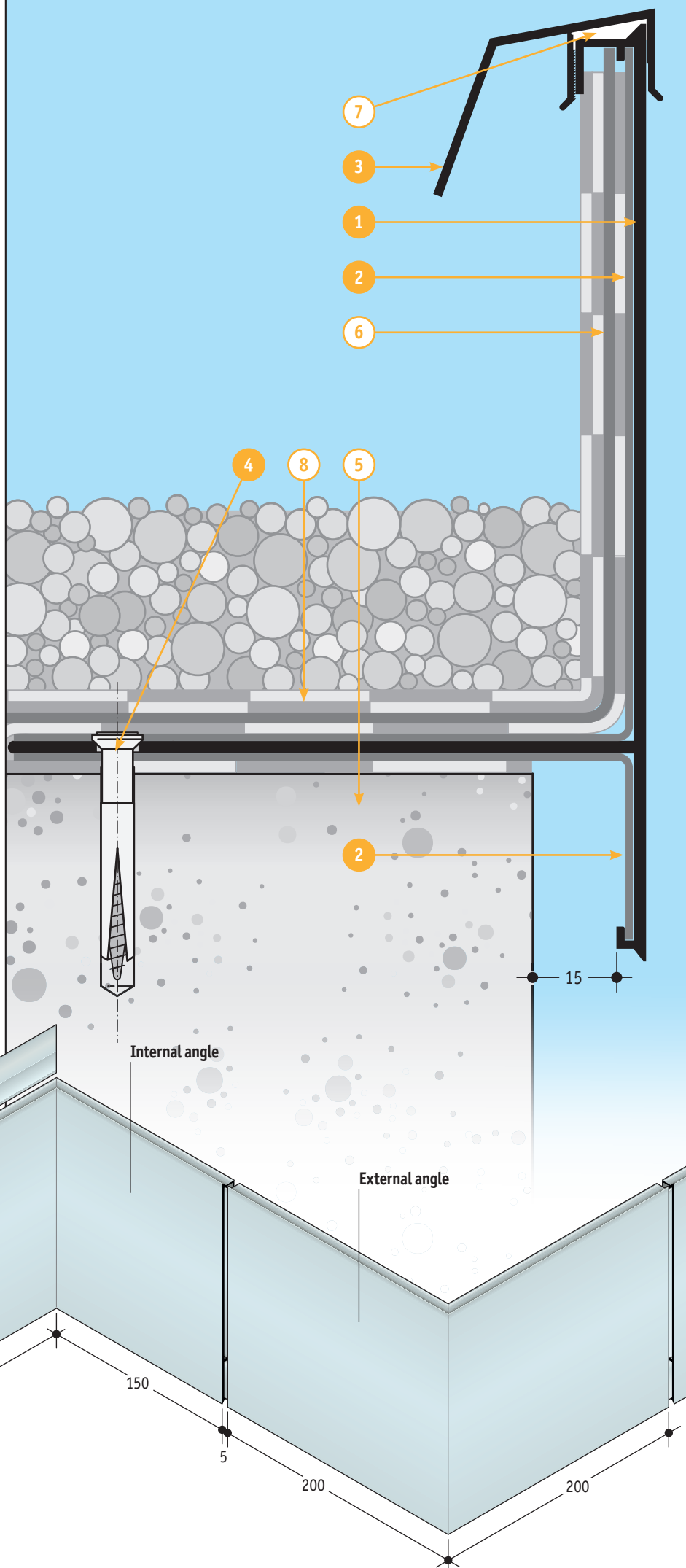
Example of use

Rivnet 170/115 one-piece

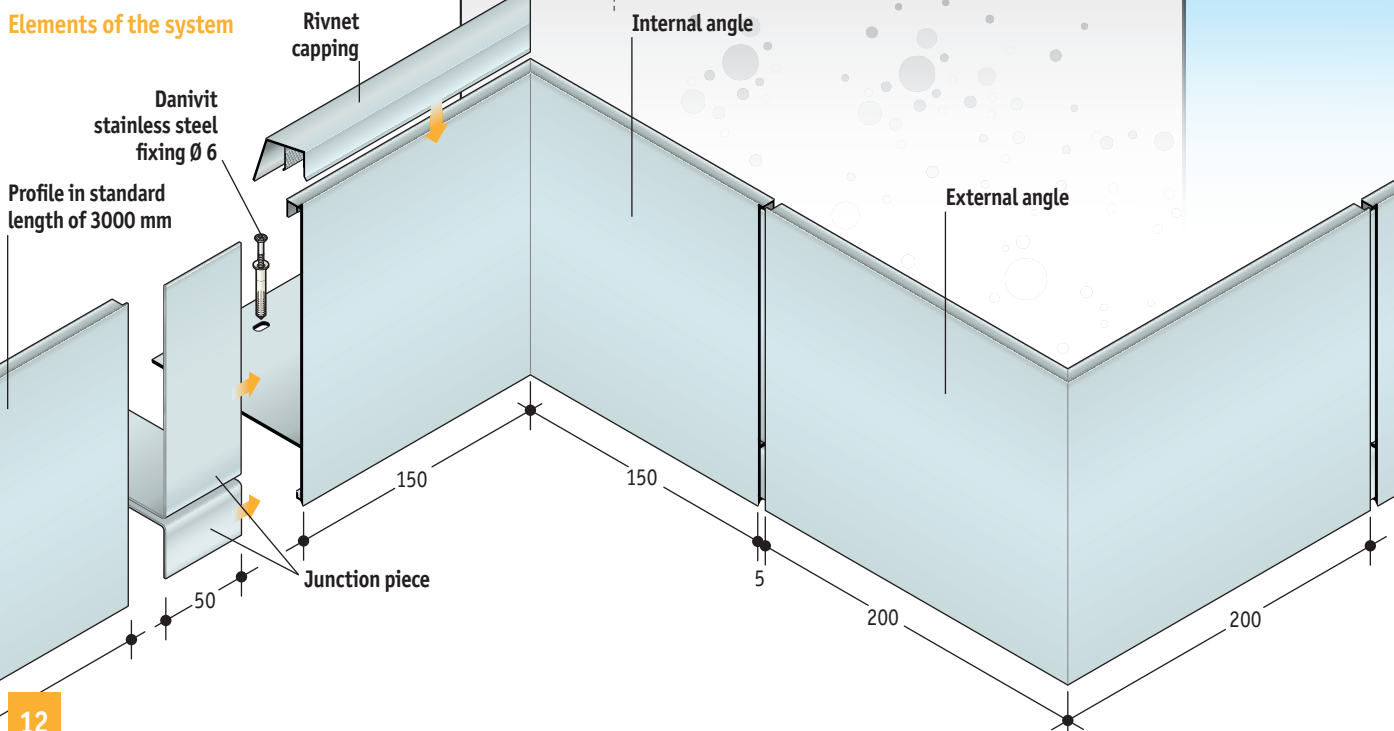
Scale: 1:1

- 1 Rivnet 170/115*
- 2 Junction piece*
- 3 Rivnet capping
- 4 Danivit stainless steel fixing $\varnothing 6$
- 5 Concrete background*
- 6 Galvanised steel kerb (not supplied)*
- 7 Sealant adhesive
- 8 Flat roof covering

* The application of a cold sealing compound to the background and to the Rivnet are important for proper adhesion of the weatherproofing.



Elements of the system



Rivnet® Folio series

Protection of fixing for roofing membranes

Description of the system:

- a base profile
- a protective cover

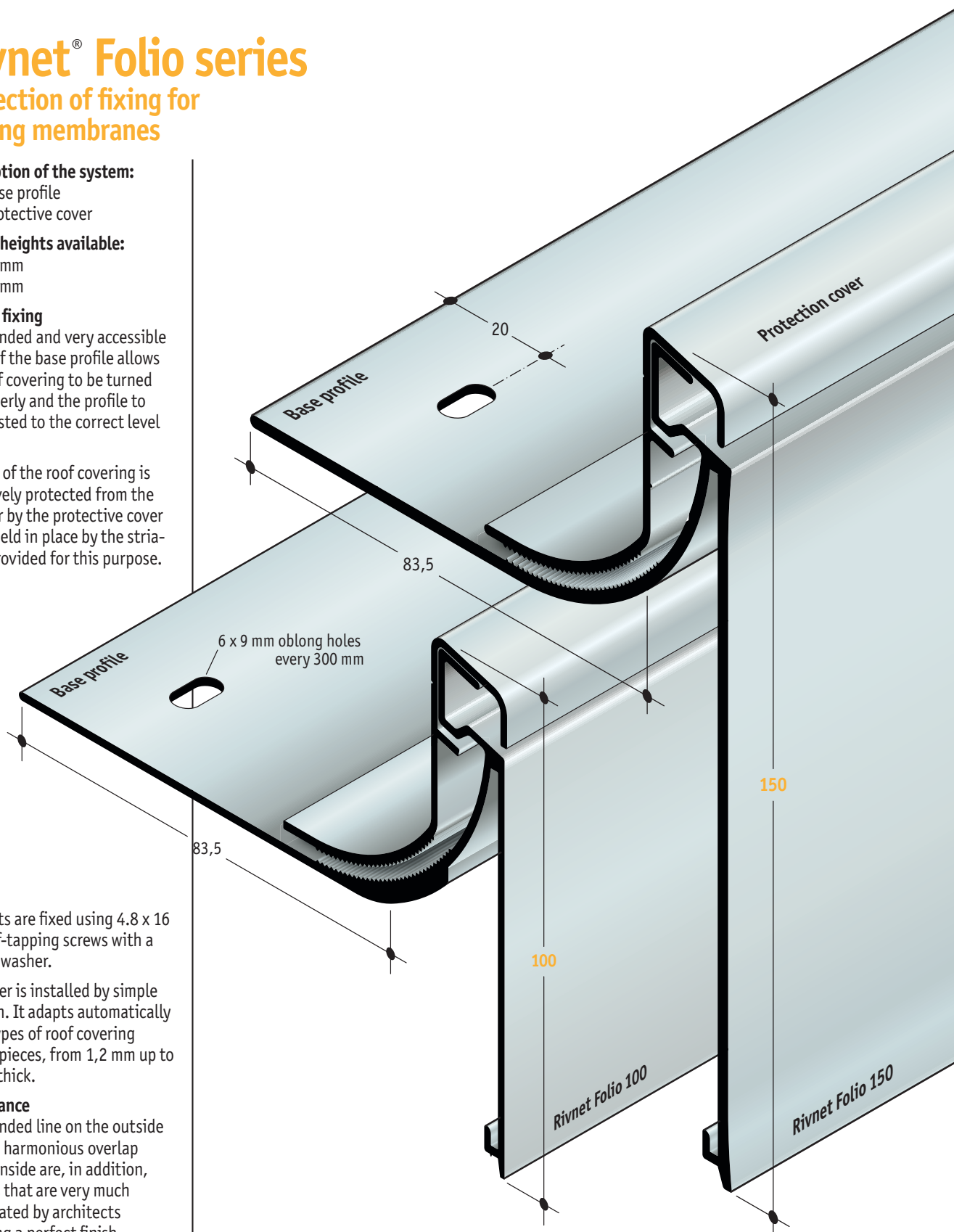
Visible heights available:

- 100 mm
- 150 mm

Ease of fixing

The rounded and very accessible shape of the base profile allows the roof covering to be turned up properly and the profile to be adjusted to the correct level easily.

The top of the roof covering is effectively protected from the weather by the protective cover and is held in place by the striations provided for this purpose.



The units are fixed using 4.8 x 16 mm self-tapping screws with a sealing washer.

The cover is installed by simple rotation. It adapts automatically to all types of roof covering raising pieces, from 1,2 mm up to 10 mm thick.

Appearance

The rounded line on the outside and the harmonious overlap on the inside are, in addition, aspects that are very much appreciated by architects requiring a perfect finish.

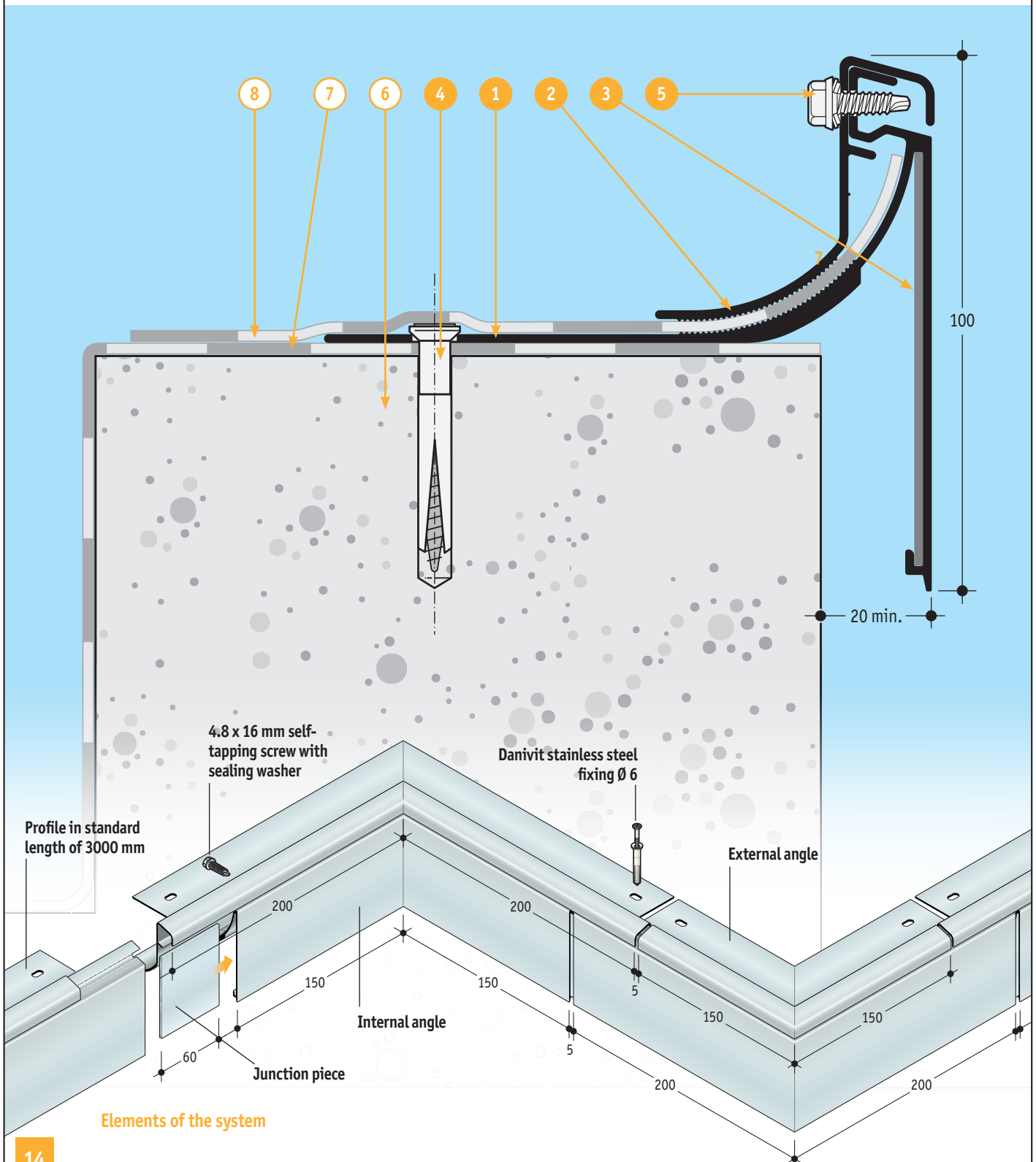
Rivnet® Folio series

Protection of fixing for roofing membranes

Example of use Rivnet Folio 100

Scale: 1:1

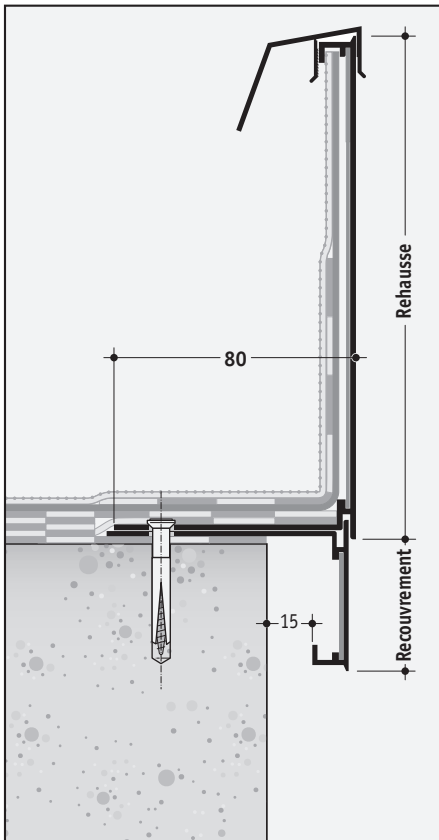
- | | | | |
|---|--|---|--|
| 1 | Base profile | 5 | 4.8 x 16 mm self-tapping screw with sealing washer |
| 2 | Protective cover | 6 | Concrete background |
| 3 | Junction piece | 7 | Flat roof covering |
| 4 | Danivit stainless steel fixing $\varnothing 6$ | 8 | Cover strip |



Elements of the system

Rivnet®

Sample specification clauses



Rivnet 170/50/80

Download the typical sections and specification clauses you need for your project from www.danialu.com



Parapet wall raising piece type Rivnet series 80 composite

Extruded aluminium parapet wall raising piece, type Rivnet * _____ as manufactured by **dani alu (Tel.. +33 4 78 87 12 48)**, or technically equivalent. The units shall be connected together using junction pieces. The angles and special parts shall be factory-prefabricated.

The quality of the aluminium shall be ** _____ .

* select from the following 20 patterns :

Patterns	Raising piece (mm)	Overlap (mm)
- Rivnet 50/35/80	50	35
- Rivnet 50/50/80	50	50
- Rivnet 50/70/80	50	70
- Rivnet 50/115/80	50	115
- Rivnet 50/170/80	50	170
- Rivnet 70/35/80	70	35
- Rivnet 70/50/80	70	50
- Rivnet 70/70/80	70	70
- Rivnet 70/115/80	70	115
- Rivnet 70/170/80	70	170
- Rivnet 115/35/80	115	35
- Rivnet 115/50/80	115	50
- Rivnet 115/70/80	115	70
- Rivnet 115/115/80	115	115
- Rivnet 115/170/80	115	170
- Rivnet 170/35/80	170	35
- Rivnet 170/50/80	170	50
- Rivnet 170/70/80	170	70
- Rivnet 170/115/80	170	115
- Rivnet 170/170/80	170	170

** select from the following 3 possibilities :

- **Untreated aluminium**
(Non-treated aluminium, reflective appearance, turning matt over time.)
- **Danilac powder-coated aluminium colour RAL 9006**
(white aluminium)
- **Danilac powder-coated aluminium in any RAL colour**
(Powder-coated aluminium using Danilac process – chrome-free, colour to be selected from RAL range.)



dani alu UK Ltd.
Hexagon House, Avenue Four
Witney, Oxfordshire, OX28 4BN
Phone: 01865 595160
Fax: 01865 595161
E-mail: contact@danialu.co.uk
www.danialu.com

Rivnet®

Date: _____ Page: _____ of _____

Company / address / company stamp: _____

(Tick the options required)

Order

In the case of an order, attach a survey of the dimensions

Request for quotation

estimate

job on site

Phone: _____ Contact: _____

Fax: _____ Mobile: _____

Site reference: _____ e-mail: _____

Supervising Officer: _____

Anticipated date of the works: _____ Specifier: _____

Roof edging

Rivnet series 80 (page 4 – 5)

Rivnet EWIS (page 6 – 7)

Accessories:

Pattern	Quantity	Rate	Amount
_____	_____ m	_____	_____
_____	_____ m	_____	_____
<input type="checkbox"/> Junction pieces	_____ No.	_____	_____
<input type="checkbox"/> External angles	_____ No.	_____	_____
<input type="checkbox"/> Internal angles	_____ No.	_____	_____
<input type="checkbox"/> Rivnet capping	_____ m	_____	_____

Parapet wall raising piece

Rivnet series 80 composite (page 8 – 9)

Rivnet series 115 one-piece (page 10 – 12)

Accessories:

Pattern	Quantity	Rate	Amount
_____	_____ m	_____	_____
_____	_____ m	_____	_____
<input type="checkbox"/> Junction pieces	_____ No.	_____	_____
<input type="checkbox"/> External angles	_____ No.	_____	_____
<input type="checkbox"/> Internal angles	_____ No.	_____	_____
<input type="checkbox"/> Rivnet capping	_____ m	_____	_____

Rivnet Folio series

Rivnet Folio series (page 13 – 14)

Accessories:

Pattern	Quantity	Rate	Amount
_____	_____ m	_____	_____
<input type="checkbox"/> Junction pieces	_____ No.	_____	_____
<input type="checkbox"/> External angles	_____ No.	_____	_____
<input type="checkbox"/> Internal angles	_____ No.	_____	_____

Finish of aluminium:

Mill finish aluminium

Powder-coated aluminium, RAL 9006 white aluminium

Powder-coated aluminium RAL No. _____ (state)