

CROWN

SLIDING FOLDING
DOOR



IMAGINE WHAT'S NEXT

TECHNAL





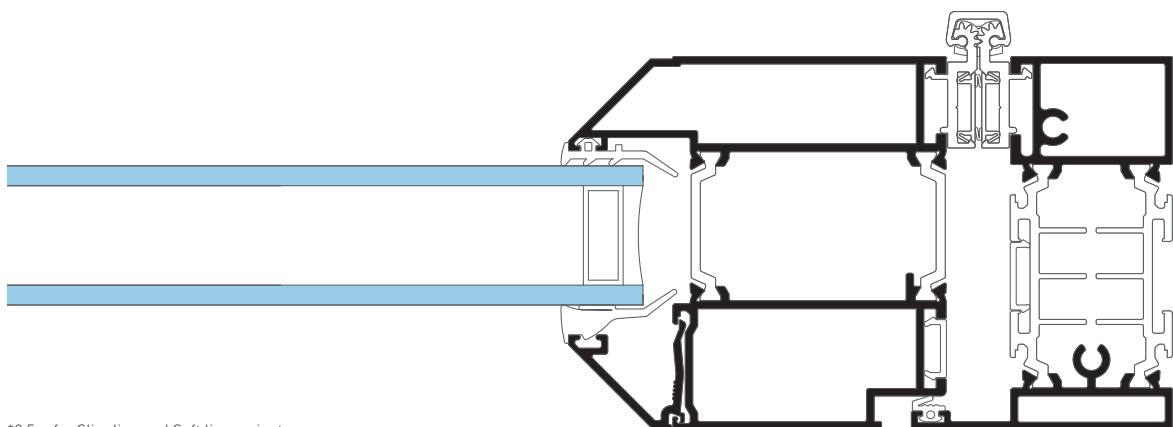
CROWN SLIDING FOLDING DOOR

/ ELEGANTLY PRACTICAL

The Crown Sliding Folding Door is a unique way for your customers to make the most of their homes by bringing the outside in. Combining both form and function, the Crown Sliding Folding Door can be tailored to suit the needs of any project.

STYLISH CONTEMPORARY SLIDING FOLDING DOOR

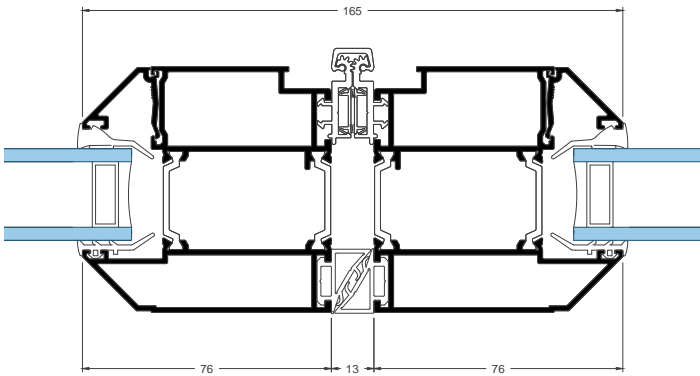
- Choose between 2 and 7 panes in one of 44 different configurations
- Available in original, slim line and soft line profile options
- PAS 24 options available for standard threshold doors up to 2.5 metres
- Contemporary continuous hinge replicating the gasket for a seamless finish
- Easy-glide stainless steel wheels and track allowing for ease of movement and exceptionally smooth operation
- Door can be folded with internal or external opening projection
- Low threshold cills available to give a variety of access options
- Key lockable shootbolt handle
- Can be integrated with Technal window and door suites
- Available with Dual Colour option from a range of 300 premium colours
- Door leaf glazing options between 24mm and 40mm
- Door size up to 3.0m high*



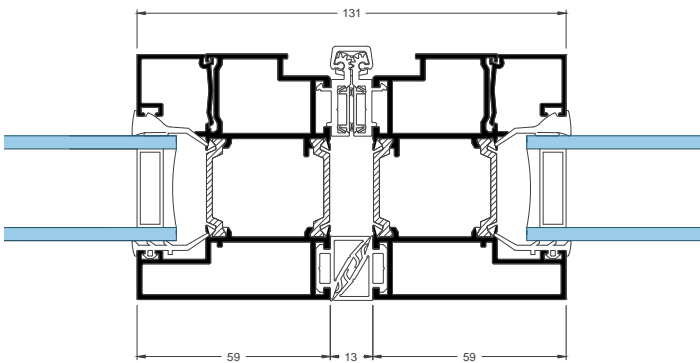
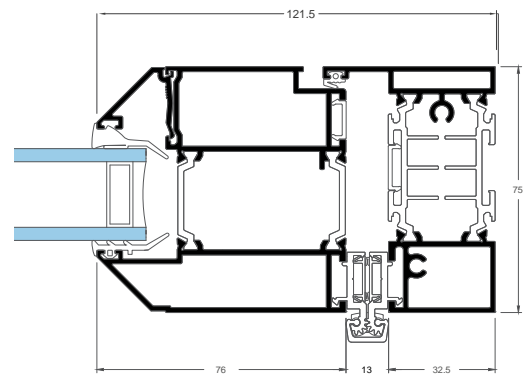
*2.5m for Slim line and Soft line variants

CROWN SLIDING FOLDING DOOR

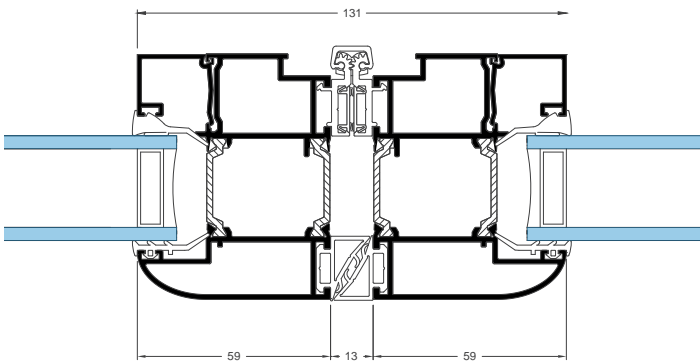
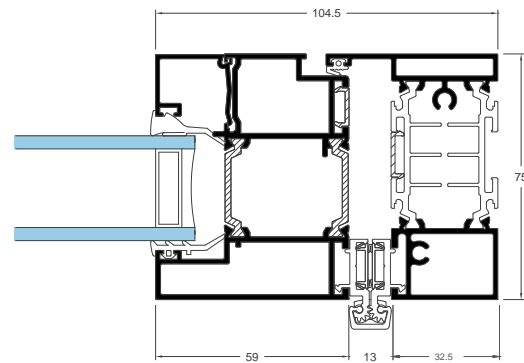
/ AESTHETICS TO SUIT ANY STYLE



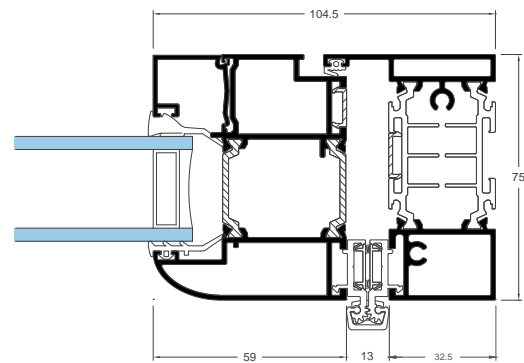
Original Crown Sliding Folding Door



Slim line Crown Sliding Folding Door



Soft line Crown Sliding Folding Door



THREE DIFFERENT LOOKS

The Crown Sliding Folding Door is available in three stylish variants, Original, Slim line and Soft line. Each one provides a distinctive profile style to suit personal choice or project requirement.

The Original, with its inherent strength of design, allows for doors to be made up to three metres in height.

The Slim line and Soft line options both benefit from profiles that have been reduced by up to 22%, providing slimmer sightlines at both the frame and panel meeting styles. This greatly increases the amount of light entering the room.

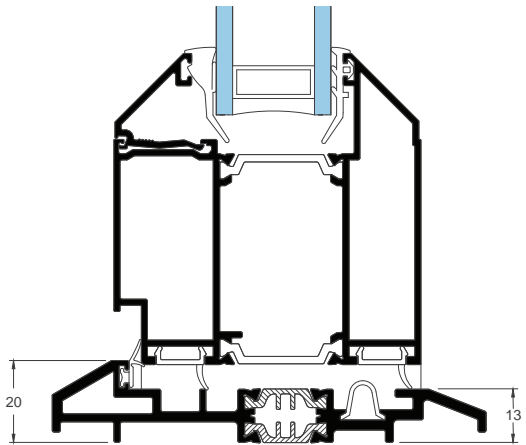


PRACTICALLY DESIGNED

The design of the Crown Sliding Folding Door is not only stylish, it is practical too. The door provides outstanding performance for everyday use.

REBATED LOW THRESHOLD

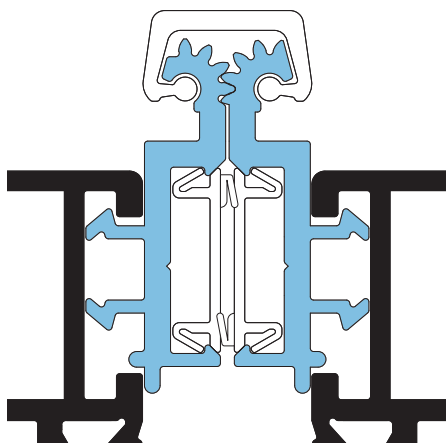
Along with the standard and low threshold, the Crown Sliding Folding Door is also available with a rebated low threshold. This provides improved weather resistance through the use of an additional gasket on the upstand, preventing water ingress. The rebated low threshold is also thermally broken to offer increased thermal efficiency.



CONTINUOUS HINGE

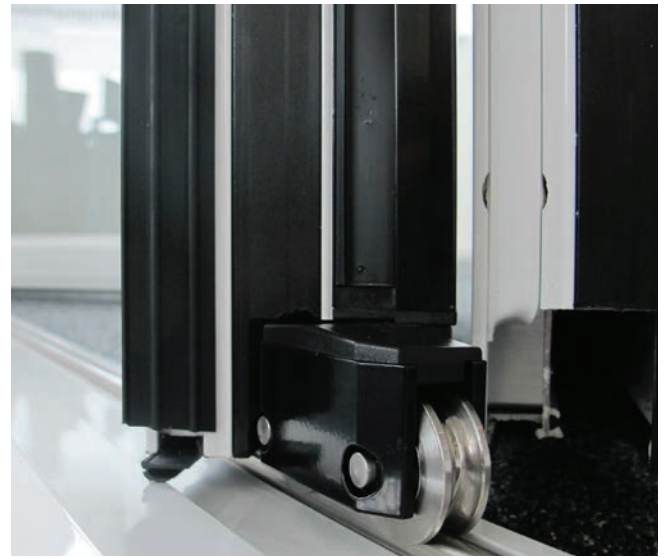
The continuous hinge from appearance is purely aesthetic, mimicking the gasket for a clean and simple look. However, not only does it look good, it delivers an enhanced weather seal and eases the operation of the door with its integrated gearing mechanism.

The overall security performance of the door is also enhanced as the hinge runs the full height of the door, meaning that there are no individual attack points.



CROWN SLIDING FOLDING DOOR

/ SECURITY AT ITS HEART



Safety and security are two of the most important factors when choosing windows and doors to ensure the home is protected. The Crown Sliding Folding Door is no exception to this with safety and security at the heart of its elegant design to meet and exceed PAS 24.

The Crown Sliding Folding Door with swing leaf incorporates security features such as a multi point lock designed specifically for doors - as opposed to "window" hardware utilised on some doors of this type. This allows the Crown Sliding Folding Door to not only be securely locked but also used as a main entry or exit when a swing panel is included, which can be opened from both inside and outside.

The door features a unique minimalist Shootbolt handle which throws bolts into position top and bottom with one easy action and provides an indicator that the shootbolts are in place. In addition, the handle is key lockable for added security and peace of mind.

The Crown Sliding Folding Door is available with our unique 'Dualsecure' locking system (Patent Pending), including a 5 Lever security 'lock out' function to deadlock the lock independently of the cylinder. This additional feature restricts the movement of all locking parts and provides you with exceptional levels of security.

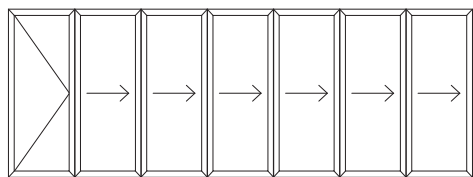


SECURITY ROLLER

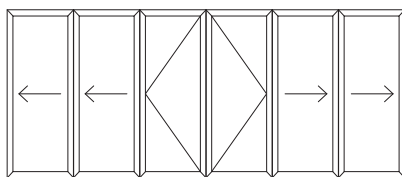
For all variants of the Crown Sliding Folding Door with a standard threshold, the bottom roller is provided with a security extrusion. This restricts the ability for the door to be removed from its tracks.

CROWN SLIDING FOLDING DOOR

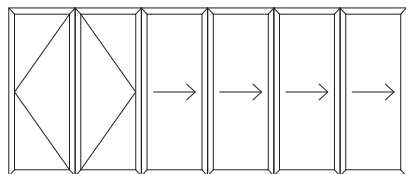
/ CONFIGURATION OPTIONS



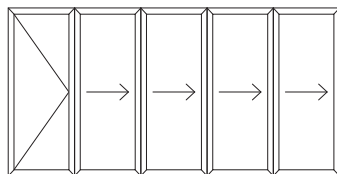
7 PANES
7 SLIDING 0 SWING



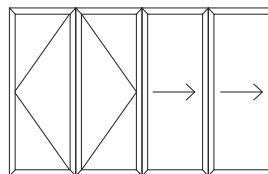
6 PANES
3 + 3 SLIDING 0 SWING



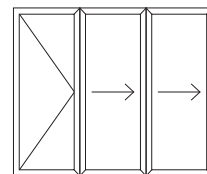
6 PANES
5 SLIDING 1 SWING



5 PANES
5 SLIDING 0 SWING

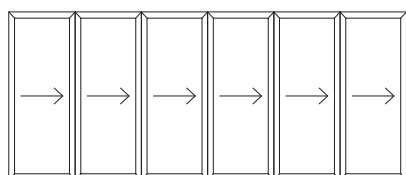


4 PANES
3 SLIDING 1 SWING

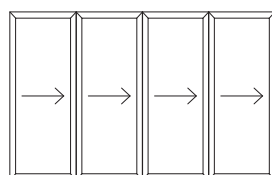


3 PANES
3 SLIDING 0 SWING

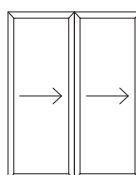
CONFIGURATIONS WITH ALL SLIDING DOORS



6 PANES
6 SLIDING 0 SWING



4 PANES
4 SLIDING 0 SWING



2 PANES
2 SLIDING 0 SWING

WEATHER PERFORMANCE

	AIR PERMEABILITY	WATER TIGHTNESS	WIND RESISTANCE	EXPOSURE CATEGORY
OPEN OUT	Class 3 600 Pa	Class 9a 600 Pa	Class 4 1600 Pa	1600
OPEN IN	Class 3 600 Pa	Class 3a 150 Pa	Class 4 1600 Pa	1200
REBATED LOW THRESHOLD OPEN OUT	Class 3 600 Pa	Class 3a 150 Pa	Class 4 1600 Pa	1200

SPECIFICATION

	ORIGINAL	SLIM LINE/ SOFT LINE
DEPTH OF FRAME	75MM	75MM
WIDTH SIGHTLINE	75MM	59MM
MAXIMUM GLAZING DEPTH	28MM	40MM
MAXIMUM WEIGHT PER PANE	100KG	100KG
MAXIMUM WIDTH PER PANE	1000MM	1000MM
MAXIMUM OVERALL WIDTH	6426MM*	6426MM*
MAXIMUM HEIGHT	3000MM	2500MM

*6426mm is the maximum width due to bar length availability



IMAGINE WHAT'S NEXT

Hydro Building Systems UK Ltd
Severn Drive, Tewkesbury
Gloucestershire. GL20 8SF
Tel: 01684 853500 - www.technal.co.uk

By  Hydro