

CROWN

SLIDING FOLDING
DOOR



IMAGINE WHAT'S NEXT





EXTEND YOUR LIVING SPACE

OPEN UP YOUR HOME WITH AN ALUMINIUM SLIDING FOLDING DOOR. IT'S A GREAT WAY TO BRING YOUR LIVING SPACE AND GARDEN TOGETHER, OPENING UP WONDERFUL NEW POSSIBILITIES TO MAKE THE MOST OF YOUR HOME.

Enjoy a summer barbecue, or just relax and enjoy the view. Then, as the nights draw in, the high levels of insulation and security will keep everything comfortable and safe indoors. Our versatile mixture of hinged and folding leaves are designed to give you perfect control over the way that you use the door.

Crown Sliding Folding Doors feature advanced technology – combining the structural integrity of aluminium with a high performance polyamide thermal break, keeping you insulated from the elements.

With the possibility of having doors of up to three metres in height, the Crown Sliding Folding Door can open up your home to bring the outside in.





TAILOR MADE FOR YOUR HOME

THE CROWN SLIDING FOLDING DOOR CAN BE TAILORED TO FIT ALMOST ANY SPACE, SIZE OR ARRANGEMENT TO SUIT YOUR NEEDS AND STYLE.

MAKE A DESIGN STATEMENT

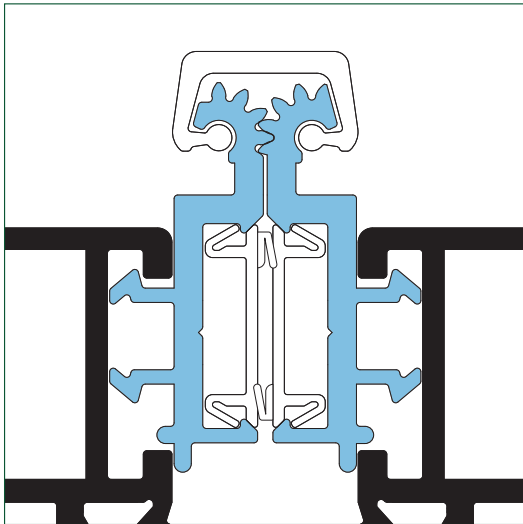
New doors can completely change the feel of your home and with the ability to tailor them with different profiles, colours and choices of handles, you can ensure that you can create your own style.

The Crown Sliding Folding Door can have different colours for both inside and out, so that you can make a bold statement on the outside and keep it neutral on the inside to coordinate with the interiors.

The versatile mixture of hinged and folding leaves is designed to give you perfect control over the way that you use the door.

SEAMLESS CONTINUOUS HINGE

The Crown Sliding Folding Door has an innovative continuous hinge for a minimalist appearance. No more unsightly or bulky hinges to ruin the elegant sightline. The continuous hinge also enables the door to be operated by utilising an innovative gearing mechanism to allow the door to fold and slide easily. The hinge also provides an improved weather seal to keep out the elements. With the hinge running the full height of the door, overall security is increased, as there are no individual attack points.



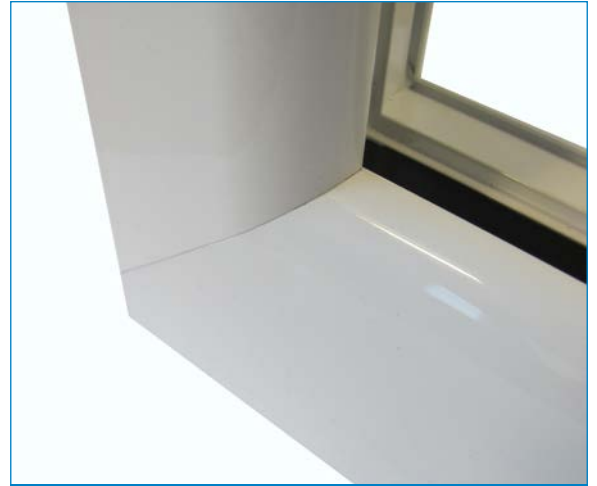


CHOOSE YOUR LOOK

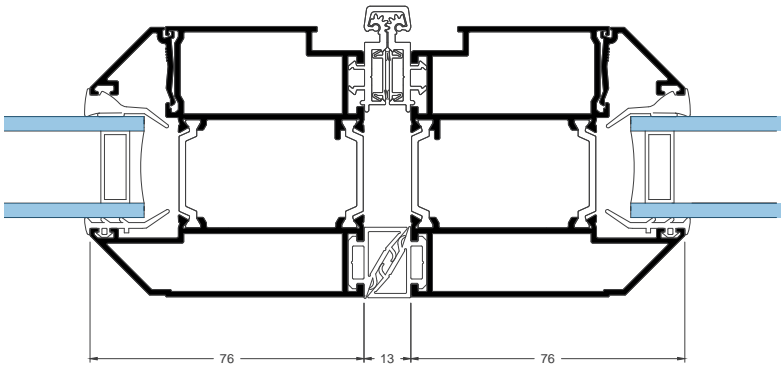
The Crown Sliding Folding Door is available in three different styles, Original, Slimline and Softline. Each one has a distinctive profile, giving you control over your personal choice.

The Original, with its inherent strength of design, allows for doors to be made up to three metres in height. This allows for larger doors, more glass and plenty of light.

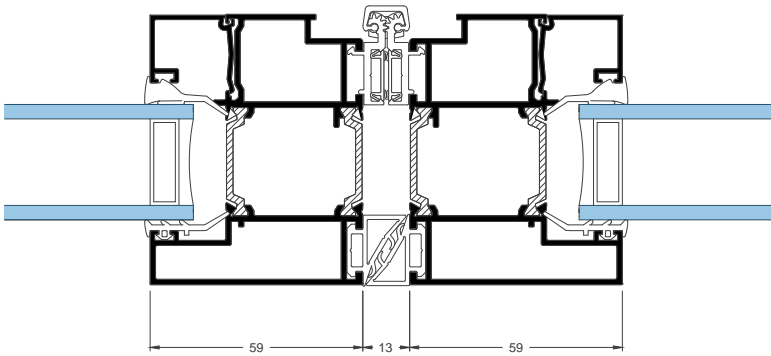
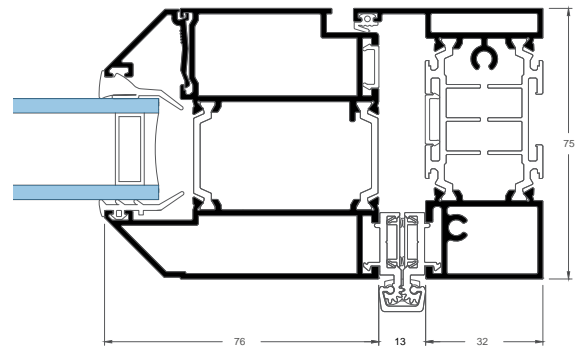
The Slimline and Softline options both benefit from profiles that have been reduced by 22%, providing slimmer sightlines, greatly increasing the amount of light entering your home.



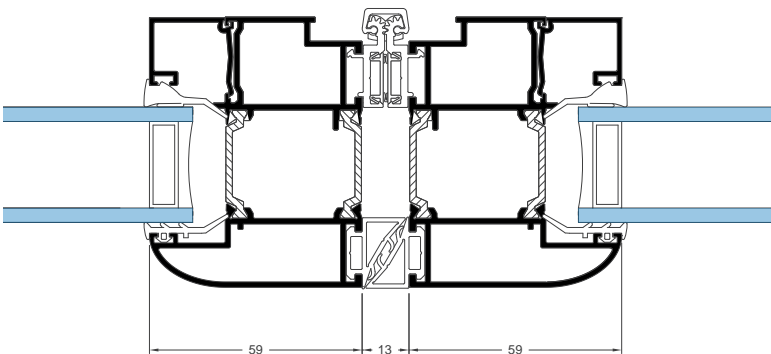
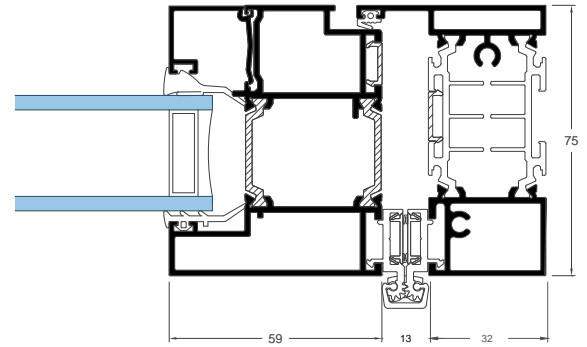
SOFTLINE PROFILE



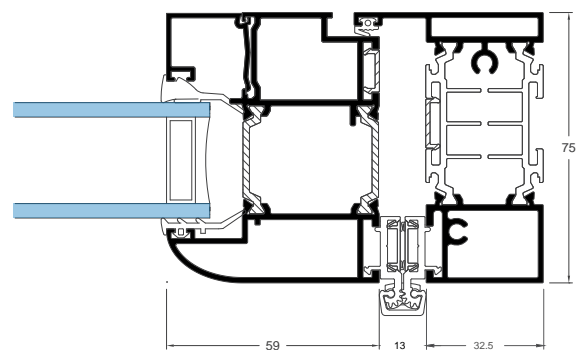
Original Crown Sliding Folding Door



Slim line Crown Sliding Folding Door



Soft line Crown Sliding Folding Door



STYLE AND FUNCTION WORKING TOGETHER

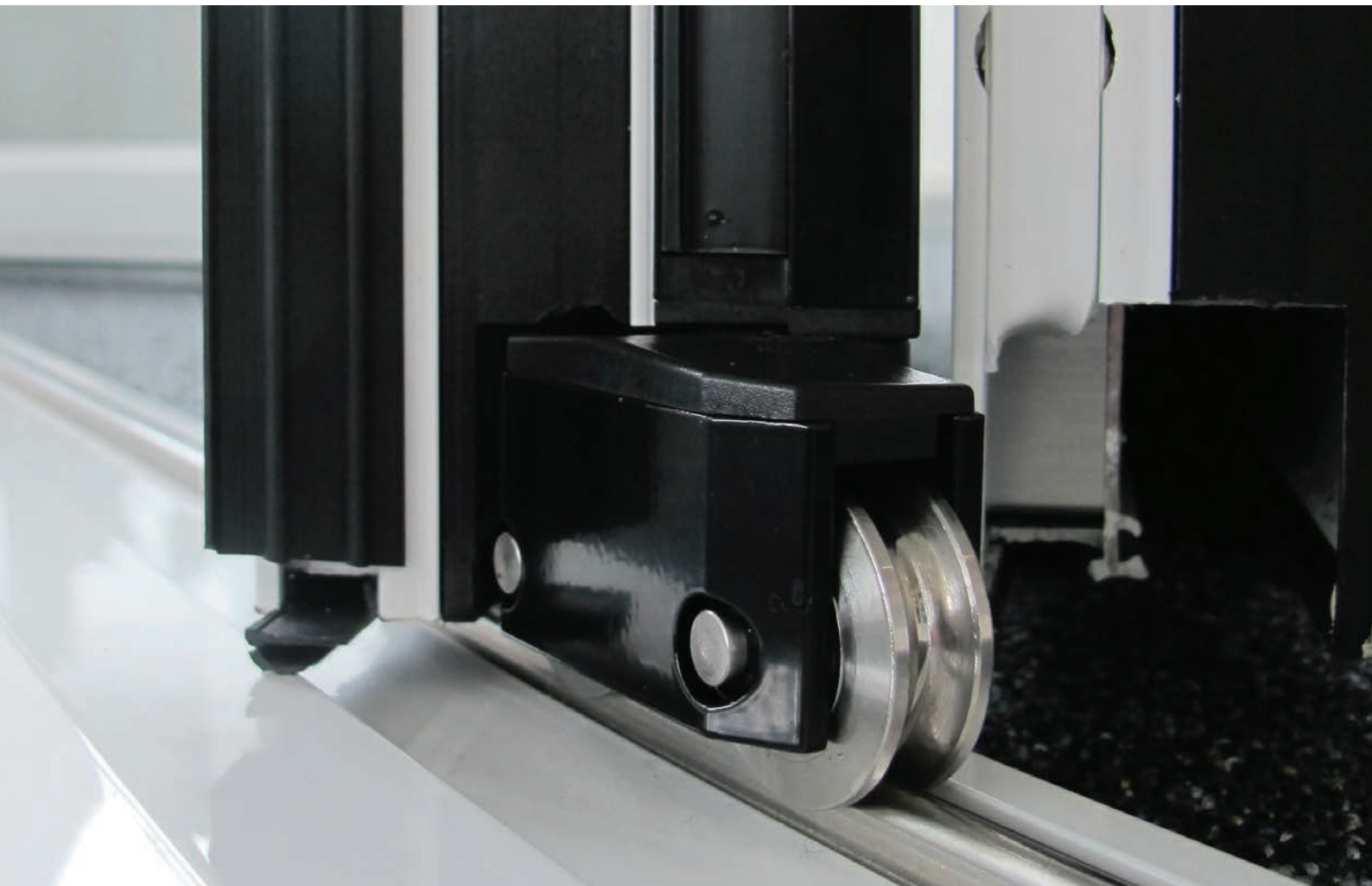
ELEGANTLY PRACTICAL

Life is busy and the Crown Sliding Folding Door has many practical features that will fit into the busiest lifestyle without compromising on style:

- An optional low threshold is available for ease of access and for a streamlined transition from inside to outside
- With a finish that is a high performance, non-fading, hard and durable powder coating that is baked onto the frames, the door needs only an occasional wipe down to stay looking as good as new
- We only use the highest quality materials, fixtures and fittings within our windows and doors, so that you can be assured of the very best
- Aluminium construction will not rust or warp over time offering reliability that can be depended on for years to come



**THE CROWN SLIDING FOLDING DOOR USES EASY-GLIDE
STAINLESS STEEL WHEELS AND TRACK FOR EASE OF
MOVEMENT AND SMOOTH OPERATION**



SAFE AND SECURE

Safety and security are extremely important when choosing new windows and doors to ensure that the things that are most important to you are protected. We take this seriously by making sure that our windows and doors meet the highest security standards possible.

The Crown Sliding Folding Door is no exception to this with security features such as our patented "Dualsecure" auto locking system, including a 5 Lever security 'lock out' function to deadlock the lock independently of the cylinder. This additional feature restricts the movement of all locking parts and provides you with exceptional levels of security. This allows the Crown Sliding Folding Door to not only be securely locked, but also used as a main entry or exit which can be opened from both inside and outside. The door also benefits from a unique minimalist meeting style handle which throws shoot-bolts into position with one easy action and provides an indicator that the shoot bolts are in place. In addition, the handle is key lockable for added security and peace of mind.

PAS 24 Security options are available on standard threshold Original Slimline and Softline variants up to 2.5m in height. These security features coupled with the inherent strength of aluminium makes the Crown Sliding Folding Door the truly secure choice for your home.



Secured by Design



Official Police Security Initiative

COLOURS AND FINISHES

AS WELL AS OUR 'STANDARD' RANGE, WE HAVE A SUPERB COLLECTION OF OVER 300 PREMIUM COLOURS FOR YOU TO CONSIDER.

From neutral tones to metallic finishes, you can opt for the same colour throughout, or choose different colours for the inside and outside of your window and door frames to create the perfect, individual and stylish look. Whatever your colour preference, you will enjoy the benefits of one of the most durable finishes available for windows and doors. The low maintenance of our window and door finish means it will need only an occasional wipe down with soapy water to keep it looking as good as new.



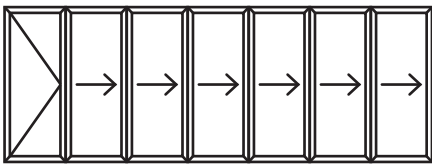
CONFIGURATION OPTIONS

One of the main advantages of the Crown Sliding Folding Door is its versatility. The door offers multiple configuration options.

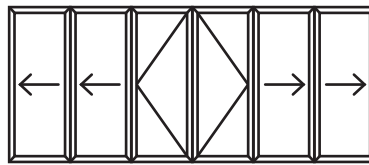
Whatever your situation, there will inevitably be a perfect solution to meet your needs:

The Crown Sliding Folding Door is available in 2, 3, 4, 5, 6 and 7 pane options

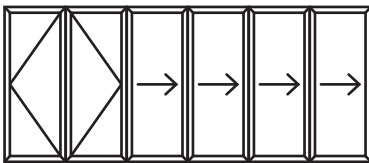
CONFIGURATIONS WITH HINGED DOOR



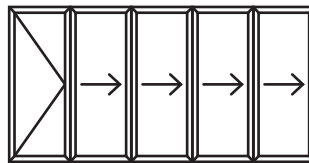
7 panes
7 sliding 0 swing



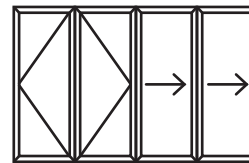
6 panes
3 + 3 sliding 0 swing



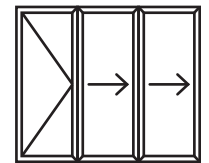
6 panes
5 sliding 1 swing



5 panes
5 sliding 0 swing

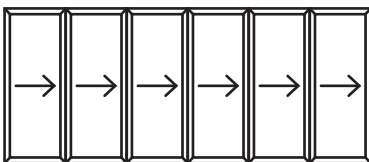


4 panes
3 sliding 1 swing

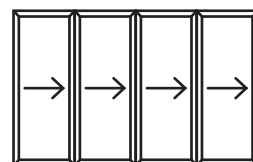


3 panes
3 sliding 0 swing

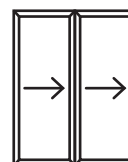
CONFIGURATIONS WITH ALL SLIDING DOORS



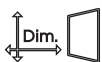
6 panes
6 sliding 0 swing



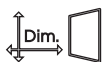
4 panes
4 sliding 0 swing



2 panes
2 sliding 0 swing



6426mm* x
3000mm**
(L x H)



1000mm
per pane
(W)



100kg
per pane



24mm to
40mm

Depth of
Frame

75mm

- Choose between 2 and 7 leaves
- 44 different configurations options
- Internal or external door opening
- Slide to the left or right possible
- Low threshold available

*6426mm is the maximum width due to bar length availability
**2500mm for Slimline and Softline profiles



IMAGINE WHAT'S NEXT

Hydro Building Systems UK Ltd
Severn Drive, Tewkesbury
Gloucestershire, GL20 8SF
Tel: 01684 853500 - www.technal.co.uk

By  Hydro