

Cibēs

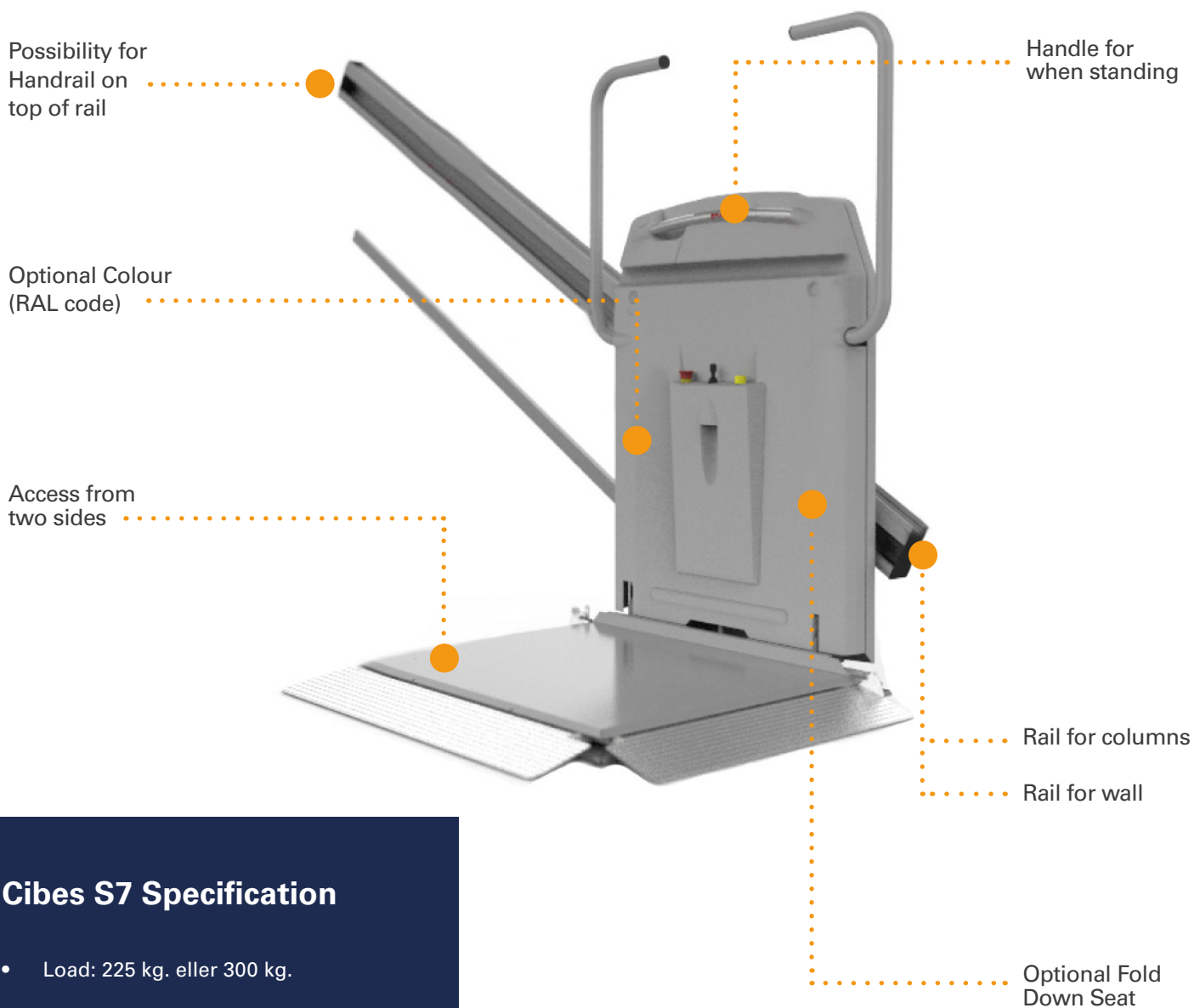


S7

Cibes Stairlift

The perfect lift for straight
staircase, internal and external

CUSTOMISED FOR YOUR OFFICE, SCHOOL AND HOME



Cibes S7 Specification

- Load: 225 kg. eller 300 kg.
- Travel: From 20 to 45 degrees slope.
- Speed: 0,11 m/s
- Driving motor: 550 w 3 ph.
- Platform motor: 24 V
- Barrier-arm motor: 24 V
- Electric supply: 1 phase 230 V, 10 A.
- Driving mechanism: Rack with overspeed governor.
- Construction: Steel- and aluminium rails on the wall or on columns.

Remotes



Mounted remote for installation in column or masonry.



Handheld remote control



Mounted control box for mounting on column or wall.

Cibes S7 Lift

The HANDI-LIFT is designed for straight staircases and is build individually with regard to the width and length of the staircase. Normally the lift can be installed without considerable rebuilding costs.

The S7 lift is provided with barrier arms and sensitive flaps on the front and rear edge of the platform. The barriers, flaps and platform are folded electrically, whereby the lift takes up minimal space on the stair when "parked".

The S7 Lift is built in accordance with the latest European standards and is delivered CE-marked. The lift is equipped with Soft start and brake, which ensures a smooth and pleasant drive.

The S7 Lift can be delivered with batteries, which ensures operation during power cuts. The lift is delivered with different platform sizes according to need, and can be delivered with access from rear and side.

Dimensions

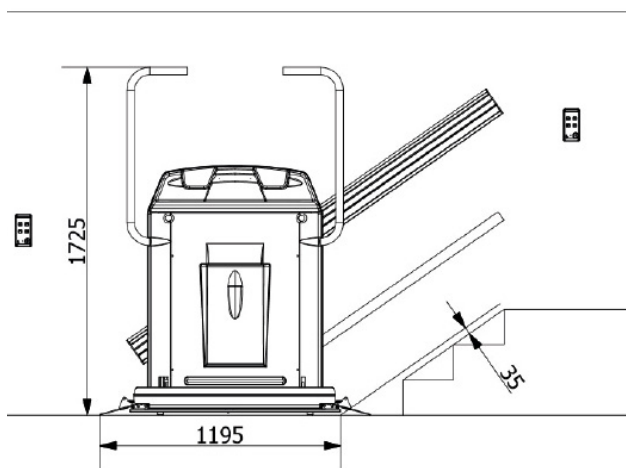
Rail width: **68 mm**

Width folded up: **290 mm**

Width folded out: **1050 mm**

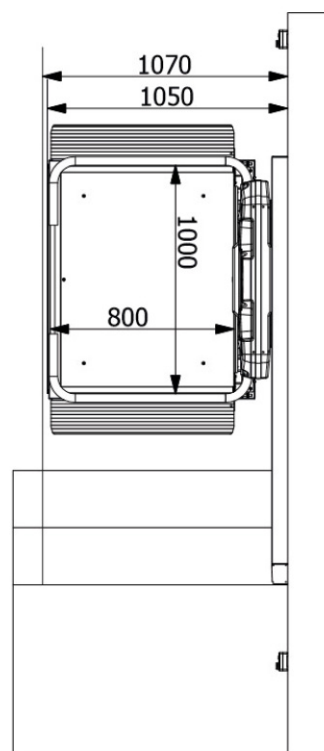
Platform standard size: **1000 x 800 mm**

Platform height: **45 mm**



Safety Details

- Over-speed governor and brake.
- Limit switch
- Weight sensor
- Manual emergency raising of platform arms
- Manual release mechanism
- Pressure sensitive surfaces that stops the lift when it runs into an obstacle.



Cibes S7H Lift

Height adjustable is a further development of the S7, which is ideal when the space at the end of the stair case is minimal.

The lift can be parked close to the bottom step. The drive is begun with a vertical raise until the lift is free from the stairs.

It then drives its course and is then lowered vertically once it has reached the top of the stairs. The height adjustable lift can be delivered with the same equipment as the traditional lift.

The S7 Platform Lift is manufactured for Cibes by CAMA and is Denmark's largest and oldest manufacturer.

Cibes highly appreciates quality and design. The S7 meets all expectations.



MORE PRODUCTS FROM **CIBES LIFT UK**



A5000 External Lift



A5000 Eco Silent Lift



Get in touch

t. 0800 085 0269

e. info@cibeslift.co.uk

Find out more

www.cibeslift.com/gb

Head Office | Chapel House |
Loughborough | LE11 2AF

Cibes

Bringing People Together