

150
YEARS

BOON EDAM
YOUR ENTRY EXPERTS.

DATA SHEET

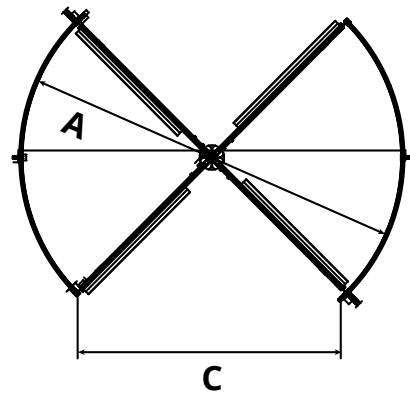
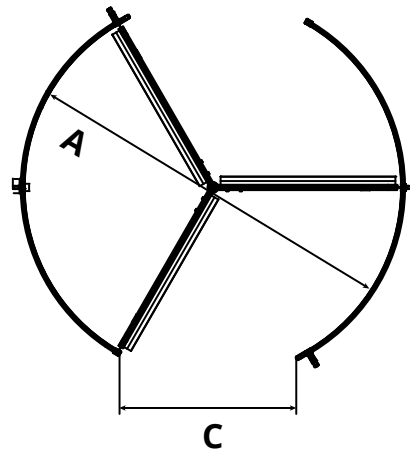
TOURNIKET TYPE 1.

A **STYLISH ALTERNATIVE** TO THE TOURNIKET.

DIMENSIONS AND SPECIFICATIONS

A	B	C	D	E					
Diameter (mm)	Capacity / Minute	# of Door Wings	Disabled Access	Type of Traffic	Emergency Exit	Installation Width (mm)	Throat Opening (mm)	Height Under Soffit (mm)	Soffit Height (mm)
1600	2x 22	3	X		✓	1677	695	2100-3600	18
1600	2x 26	4	X		✓	1677	1046	2100-3600	18
1800	2x 22	3	X		✓	1877	795	2100-3600	18
1800	2x 26	4	X		✓	1877	1187	2100-3600	18
2000	2x 22	3	X		✓	2077	895	2100-3600	18
2000	2x 26	4	X		✓	2077	1329	2100-3600	18
2200	2x 20	3	X		✓	2277	995	2100-3600	18
2200	2x 26	4	X		✓	2277	1470	2100-3600	18
2400	2x 18	3	X		✓	2477	1095	2100-3600	18
2400	2x 24	4	X		✓	2477	1612	2100-3600	18
2600	2x 33	3	X		✓	2677	1195	2100-3600	18
2600	2x 22	4	X		✓	2677	1753	2100-3600	18
2800	2x 31	3	X		✓	2877	1295	2100-3200	18
2800	2x 20	4	X		✓	2877	1894	2100-3200	18
3000	2x 29	3	X		✓	3077	1395	2100-3000	18
3000	2x 38	4	X		✓	3077	2036	2100-3000	18

Doors outside these dimensions are available on request, please consult your Boon Edam representative for more information.





TECHNICAL SPECIFICATIONS

Power Supply: 110-240 VAC, 50/60 Hz

Motor: AC motor, 3-phase

Power Consumption

Operating: 100W

Stationary: 75W

Ambient Temperature: -20°C to +50°C

Fuse: External power supply fused with 16A slow

TYPE ONE CONSTRUCTION

The curved walls that form the drum of the Tourniket Type One can be glass framed or solid. Glass walls provide a more spacious and transparent feeling which are constructed from a thin aluminium profile and laminated glass. The doorset is constructed from aluminium profiles, horsehair weather strips around the edges and again, laminated glass. The glass soffit which determines the Type One product is 16.52mm of toughened/laminated glass.

As an option, the Type One can be supplied with an 18mm solid soffit.

EMERGENCY EGRESS

If equipped with a collapsible door set, the Tourniket can be installed in an emergency exit. In case of a power failure or fire alarm, the door set will unlock automatically and the door wings can be manually collapsed together to create an open passageway. Alternatively, the Tourniket can be unlocked by pushing the emergency open button in the door. (Escape route requirements are subject to local regulations).

LEVEL UP OPTIONS

- Low torque drive unit with Speed Control
- Push-button, temporary low speed
- Safety Plus Package for applications where a higher level of safety is required
- Positioning, Power assist and Speed Control Unit (PPS)
- Manual Speed Control
- Idle speed
- Direction sensitive motion detectors
- Stainless steel soffit
- Coloured interlayer to glass soffit, curved walls and night locking doors
- Roof trim
- Floor mats
- Mechanical lock (door wing)

NIGHT LOCKING OPTIONS

- External night locking doors
- Automatic night locking doors
- Internal night locking doors
- Mechanical lock (door wings)
- Bi-stable lock (only on automatic model)
- Authorised night entry (only on automatic model)



OUR REACH IS GLOBAL.

We have been in business for 150 years, manufacturing premium aesthetic and security entrance solutions in The Netherlands, the United States of America and China. We can confidently say that we cover every corner of the globe with subsidiary companies in major cities across the globe. Furthermore our global export division not only partner with our distributors, but also offer direct sales and service to every territory. This wide net allows us to have a strong global footprint and a personal grasp of local markets and their unique entry requirements.

To find your closest Boon Edam expert, please go to:
www.boonedam.co.uk/contact



Boon Edam Limited
T 01233 505 900
E uk.contact@boonedam.com
I www.boonedam.co.uk

V1-2212


BOON EDAM
YOUR ENTRY EXPERTS.