



BOON EDAM
YOUR **ENTRY** EXPERTS.



at



MEDIUM LEVEL SECURITY



LIFELINE SPEEDLANE SLIDE.

THE **SOLID** SECURITY LANE



OVERVIEW

Expansion and growth within a building often present a common conflict when it comes to physical security. Fixtures within a building need to keep up-to-date and remain adaptable to comply with changing and compulsory specification criteria.

KEY FEATURES

- Intuitive approach detection
- Intelligent user guidance
- Tailgating detection
- Smooth, sliding-motion glass barriers
- V-shaped, tapered cabinets with ergonomic design and short footprint
- Premium quality materials
- Flexible lane configurations
- Low-energy, “sleep” mode
- Universally understood and proven display symbols
- Additional flexible options available to fine-tune or ‘Level Up’ (see page 4/5)

SAFE AND RELEVANT FOR THE LONG-TERM

The above obligations are met by continual research and product design to ensure our speed gates live up to high standards and continue to offer flexible choices in integration opportunities, ease and safety of use and blending into each unique environment.

A POPULAR CHOICE WITH NO COMPROMISE

The Lifeline Speedlane Slide speed gate has been designed with a curved cabinet to allow for a quick, sliding motion of the glass wings, as well as showcasing intuitive coloured LED lights which effortlessly glides along a glossy glass top, guiding users from entry through the authorisation and onto the exit onwards. This product has proven to be a popular choice for those who are unwilling to compromise on security or design.

KEY BENEFITS

- Relieves pressure from security or reception staff
- Coordinates beautifully with existing building décor and design
- Condensed cabinet length optimises use of valuable floor space
- Built to last

SUGGESTED SEGMENTS

- Corporate offices
- Multi-storey tenant buildings
- Medical and pharmaceutical facilities
- Schools, universities and colleges
- Sports facilities
- Government and embassy buildings

SCALABLE FLEXIBILITY IS THE FUTURE

The ability to integrate a large variety of secondary security technology into our speed gates is the ideal way in which to fine-tune by 'Leveling Up' their entrance security when increased protection is required.

Meeting your security goal easily and within your budget is the reason why we work together with you to ensure that by using these options, you end up with a product that outperforms the others safely, beautifully and profitably.



PUTTING THE POWER BACK IN YOUR HANDS

One size does not fit all, and that is why we at Boon Edam believe in offering modular solutions. This approach allows the security professional to design a tailored entrance solution that balances security and safety with aesthetics.

The result is a unique entrance that fits the needs of each industry, application and individual company. To get started, choose from an array of quality standard options. Then, 'Level Up' where it matters most to your company - whether that be in terms of throughput, security, safety, aesthetics, technology or user comfort - or a combination of each. A modular solution approach truly puts the power back into your hands - the power to create a refined entry with ease.

You can level up in any of these categories:

- THROUGHPUT
- SECURITY
- SAFETY
- AESTHETICS
- TECHNOLOGY
- COMFORT
- SERVICE

LEVEL UP



If our standard specifications do not quite suit your needs, we open up opportunities for you to 'Level Up' where it counts most. You can also do this according to your most motivating value driver:

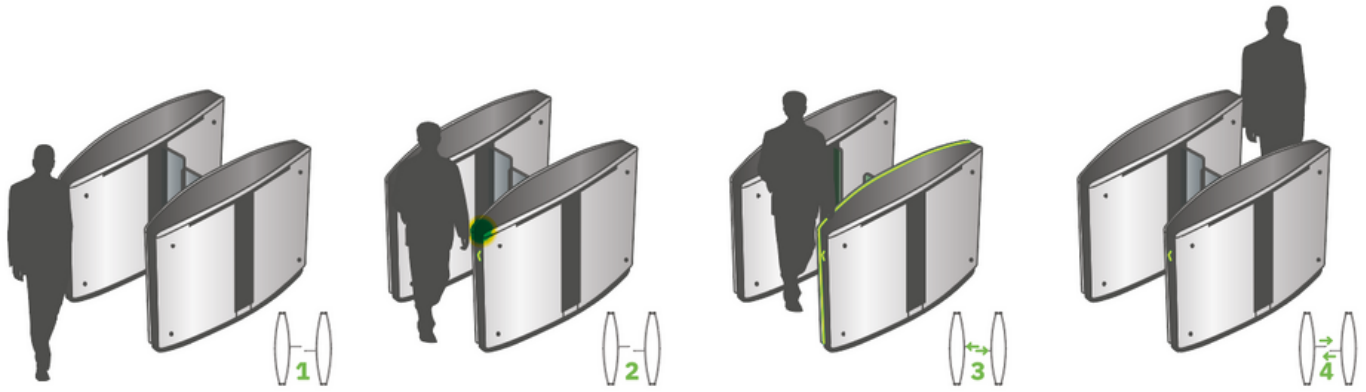
The specification table shows you our standard product options, and to the right of these, you can easily see, and consider, any compatible 'Level Up' options for fine-tuning the Lifeline Speedlane Slide.



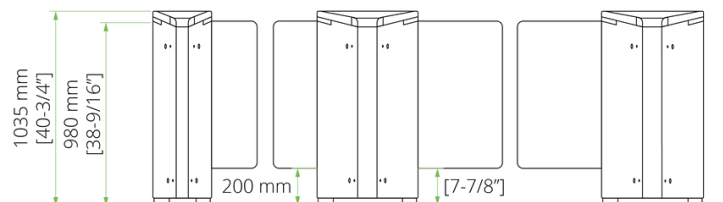
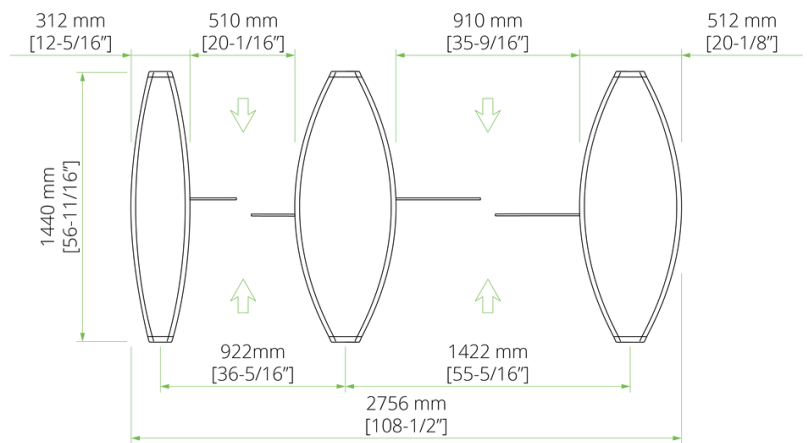
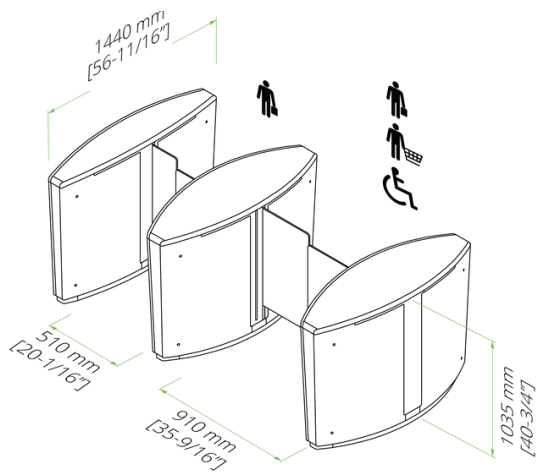
TECHNICAL SPECIFICATIONS

 THROUGHPUT	STANDARD	LEVEL UP OPTIONS
Throughput	20 - 30 People per minute	
Cabinet Width	312 mm / 12-5/16"	Wide: 512 mm / 20-1/8"
Cabinet Height	1035 mm / 40-3/4"	
Cabinet Length	1440 mm / 56-11/16"	
Passage Width	510 mm / 20-3/16"	Wide: 910 mm / 35-13/16"
Overall Lane Width	1134 mm / 44-5/8" (for a single lane)	Wide: 1934 mm / 76-3/16"
Wing / Barrier Height	980 mm / 38-9/16"	High options available: see pg. 6
 SECURITY	STANDARD	LEVEL UP OPTIONS
Unauthorised User Detection	Standard sensor set	Extra Jump-over detection
Booking Signal	Adjustable booking signal	
Sound Alarm	Standard buzzer	Sound module
Tailgating Detection	Standard Range	Tailgate+
 SAFETY	STANDARD	LEVEL UP OPTIONS
Fail Safe /Secure Operation	In case of power outage Battery Back-up	
Fire Alarm Connection	Emergency egress settings depending on local regulations and or customer request	
Safety Sensors	Standard	Area/range can be fine-tuned
 AESTHETICS	STANDARD	LEVEL UP OPTIONS
Cabinet Material	Stainless steel	
Cabinet Colour	Standard stainless steel	Other Colours: On special request Branding: On special request
 TECHNOLOGY	STANDARD	LEVEL UP OPTIONS
Power Supply	110-240 VAC, 50 / 60 Hz	INTEGRATION OPPORTUNITIES: <ul style="list-style-type: none"> • Lifeline Boost Mount (4 options) • Universal Elevator Destination Display (max. 8 elevators) • BoonTouch External Control Panel (up to 6 lanes)
Operating Power	80W	
Operating Temperature	-5°C / +23°F to +40°C / +104°F	
Weight	330 Kg / 727.5 lbs	
Access Control Systems	Dry contacts for virtually any access control device	
Card Reader Mount	Under the top of the cabinet. Max. dimensions: 80 x 130 x 50 mm / 2" x 5" x 2" (WxLxH)	
 COMFORT	STANDARD	LEVEL UP OPTIONS
Disabled Access	Wide passage width option suitable for disabled access	Winglock Swing access gate Passage width 915 mm / 36"
Intuition	Approach sensors, Feedback signals Lifeline LED guidance	
Stand-by Power Consumption	Stationary 60W, Sleep Mode 40W	

6 WORKING PRINCIPLE



TECHNICAL DIMENSIONS





SERVICE AND MAINTENANCE

With hundreds or thousands of visitors passing through an entry every day, continued and reliable operation is vital. Regular service and maintenance can prevent unexpected hardware breakdowns. Boon Edam's service and maintenance teams across the world are experienced in the effects the local conditions have on the wear and tear of your entry solutions and can offer specialised service and maintenance contracts that correspond to those conditions perfectly.

COMPLIANCE

The goal of an organisation is to safeguard the valuable assets inside – both people and property. As is often the case, industries must comply with relevant local and global laws, policies and regulations, to achieve the important goal of overall safety and security. Failure to meet the appropriate measures and criteria set out in these regulations could result in catastrophic incidents and substantial fines.

Boon Edam security entrances are trusted solutions that allow organisations to meet compliance regulations related to restricting access to areas within a building. We take compliance and safety very seriously and ensure that our products are manufactured, installed and maintained to keep up the strict criteria required in all our countries. We are always improving and always committed to making sure our products are compliant and certified. More information can be found on our website under 'Our Responsibility'.

The Lifeline Speedlane Slide complies with the following European standards:

- Machine Directive (2006/42/EC)
- EMC Directive (2004/108/EC)
- RoHS Directive (2011/65/EU)



OUR REACH IS GLOBAL.

We have been in business for 150 years, manufacturing premium aesthetic and security entrance solutions in The Netherlands, the United States of America and China. We can confidently say that we cover every corner of the globe with subsidiary companies in major cities across the globe. Furthermore our global export division not only partner with our distributors, but also offer direct sales and service to every territory. This wide net allows us to have a strong global footprint and a personal grasp of local markets and their unique entry requirements.

To find your closest Boon Edam expert, please go to:
www.boonedam.co.uk/contact



Boon Edam Limited
T 01233 505 900
E uk.contact@boonedam.com
I www.boonedam.co.uk

V1-2212


BOON EDAM
YOUR ENTRY EXPERTS.