



BOON EDAM
YOUR **ENTRY** EXPERTS.



DATA SHEET

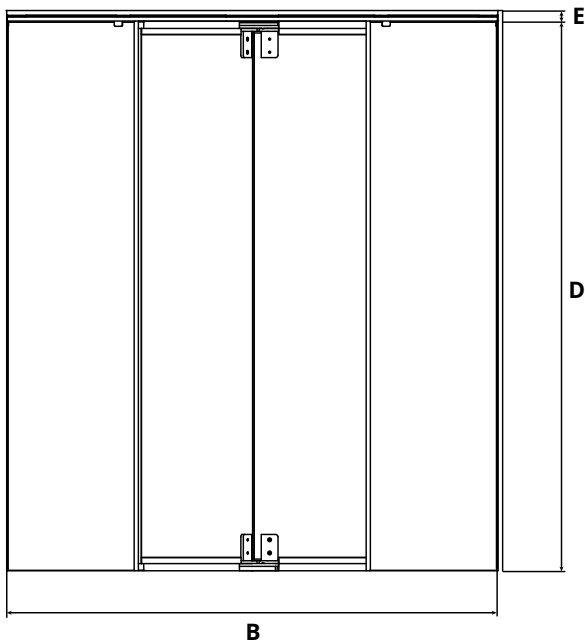
CRYSTAL TOURNIKET.

THE **ALL-GLASS** REVOLVING DOOR

DIMENSIONS AND SPECIFICATIONS

A	B	C	D	E					
Diameter (mm)	Capacity / Minute	# of Door Wings	Disabled Access	Type of Traffic	Emergency Exit	Installation Width (mm)	Throat Opening (mm)	Height Under Canopy (mm)	Soffit Height (mm)
1600	2x 22	3	X		X	1650	719	2200-3400	18
1600	2x 26	4	X		X	1650	1069	2200-3400	18
1800	2x 22	3	X		X	1850	819	2200-3400	18
1800	2x 26	4	X		X	1850	1211	2200-3400	18
2000	2x 22	3	X		X	2050	919	2200-3400	18
2000	2x 26	4	X		X	2050	1352	2200-3400	18
2200	2x 20	3	X		X	2250	1019	2200-3400	18
2200	2x 26	4	X		X	2250	1494	2200-3400	18
2400	2x 18	3	X		X	2450	1119	2200-3200	18
2400	2x 24	4	X		X	2450	1635	2200-3200	18
2600	2x 33	3	X		X	2650	1219	2200-3200	18
2600	2x 22	4	X		X	2650	1777	2200-3200	18
2800	2x 31	3	X		X	2850	1319	2200-3000	18
2800	2x 20	4	X		X	2850	1918	2200-3000	18
3000	2x 29	3	X		X	3050	1419	2200-3000	18
3000	2x 38	4	X		X	3050	2060	2200-3000	18

Doors outside these dimensions are available on request, please consult your Boon Edam representative for more information.



TECHNICAL SPECIFICATIONS

Power Supply: 200-240 VAC, 50/60 Hz

Motor: AC motor, 3-phase

Power Consumption

Operating: 150W

Stationary: 75W

Ambient Temperature: -20°C to +50°C

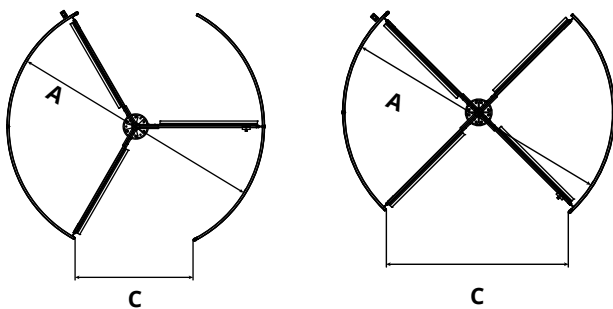
Fuse: External power supply fused with 16A slow

LEVEL UP OPTIONS

- Low torque drive unit with Speed Control
- Push-button temporary low speed
- Safety Plus Package for applications where a higher level of safety is required
- Power assist, Positioning Speed Control (PPS) for manual doors
- Idle speed
- Direction sensitive motion detectors
- Stainless steel soffit
- Coloured interlayer to glass soffit, curved walls and night locking doors
- Roof trim
- Floor mats
- Remotely controlled locking

NIGHT LOCKING OPTIONS

- Night locking doors
- Mechanical locks (door wing)



OUR REACH IS GLOBAL.

We have been in business for 150 years, manufacturing premium aesthetic and security entrance solutions in The Netherlands, the United States of America and China. We can confidently say that we cover every corner of the globe with subsidiary companies in major cities across the globe. Furthermore our global export division not only partner with our distributors, but also offer direct sales and service to every territory. This wide net allows us to have a strong global footprint and a personal grasp of local markets and their unique entry requirements.

To find your closest Boon Edam expert, please go to:
www.boonedam.co.uk/contact



Boon Edam Limited
T 01233 505 900
E uk.contact@boonedam.com
I www.boonedam.co.uk

V1-2212


BOON EDAM
YOUR ENTRY EXPERTS.