

Door Furniture

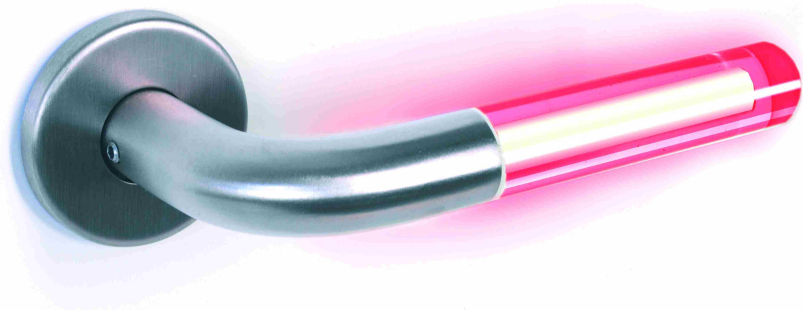
Unsprung lever handles / Brighthandle



Application

Unsprung handles of stainless steel with illuminated acrylic stems. For general use. Ideal for areas where a clear and stylish indication of room occupancy is required. Suitable for ASSA and most other makes of lockcase.

For door thickness guide, finishes and lockcase compatibility chart see Door Furniture Information appendix.



Brighthandle Alfa Online lever handle set

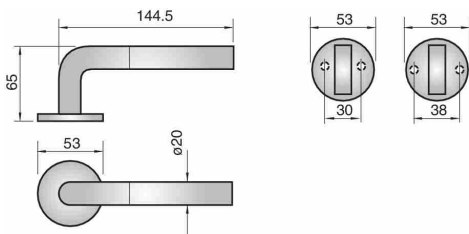
20mm brushed stainless steel with acrylic stem. Unsprung. External lever glows green when door is unlocked, and red when door is locked. Internal lever is plain stainless steel.

Requires double-isolated 12V DC power supply, 24mA current usage.

Roses prepared with both 30mm and 38mm fixing centres. Brighthandle features concealed bolt-through fixing as standard. Supplied with thumbturn with external emergency release mechanism, and internal connection cable. Use references:;

Alfa Online 40-M, to suit ASSA Connect and Modular locks.

Alfa Online 40-D, to suit Euro and DIN locks. Suitable for general use.



Brighthandle Alfa Battery lever handle set

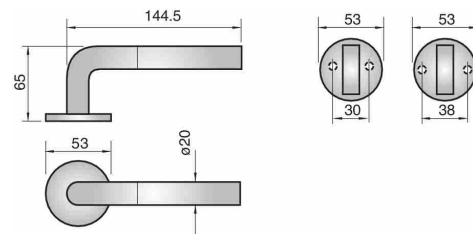
20mm brushed stainless steel with acrylic stem. Unsprung. External lever glows red when door is locked. Internal lever is plain stainless steel.

Requires two standard AA batteries fitted inside internal lever. Batteries provide six months usage in high-traffic applications.

Roses prepared with both 30mm and 38mm fixing centres. Brighthandle features concealed bolt-through fixing as standard. Supplied with thumbturn with external emergency release mechanism, and internal connection cable. Use references:;

Alfa Battery 40-M, to suit ASSA Connect and Modular locks.

Alfa Battery 40-D, to suit Euro and DIN locks. Suitable for general use.



Brighthandle Alfa Duo Online lever handle set

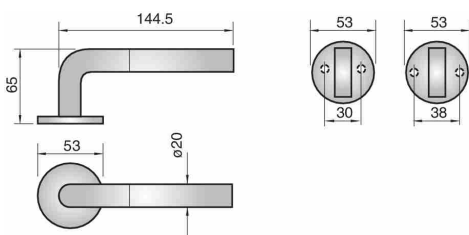
20mm brushed stainless steel with acrylic stem. Unsprung. Both levers glow green when door is unlocked, and red when door is locked.

Requires double-isolated 12V DC power supply, 24mA current usage.

Roses prepared with both 30mm and 38mm fixing centres. Brighthandle features concealed bolt-through fixing as standard. Supplied with thumbturn with external emergency release mechanism, and internal connection cable. Use references:;

Alfa Duo Online 40-M, to suit ASSA Connect and Modular locks.

Alfa Duo Online 40-D, to suit Euro and DIN locks. Suitable for general use.



Unsprung lever handles / Brighthandle



Application

Unsprung handles of stainless steel with illuminated acrylic stems. For general use. Ideal for areas where a clear and stylish indication of room occupancy is required.

Suitable for ASSA and most other makes of lockcase.

For door thickness guide, finishes and lockcase compatibility chart see Door Furniture Information appendix.



Brighthandle Dot Online lever handle set

20mm brushed stainless steel with acrylic stem. Unsprung. External lever glows green when door is unlocked, and red when door is locked. Internal lever is plain stainless steel.

Requires double-isolated 12V DC power supply, 24mA current usage.

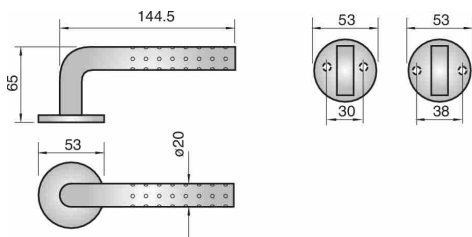
Roses prepared with both 30mm and 38mm fixing centres. Brighthandle features concealed bolt-through fixing as standard. Supplied with thumbturn with external emergency release mechanism, and internal connection cable.

Use references:

Dot Online 40-M, to suit ASSA Connect and Modular locks.

Dot Online 40-D, to suit Euro and DIN locks.

Suitable for general use.



Brighthandle Dot Battery lever handle set

20mm brushed stainless steel with acrylic stem. Unsprung. External lever glows red when door is locked. Internal lever is plain stainless steel.

Requires two standard AA batteries fitted inside internal lever. Batteries provide six months usage in high-traffic applications.

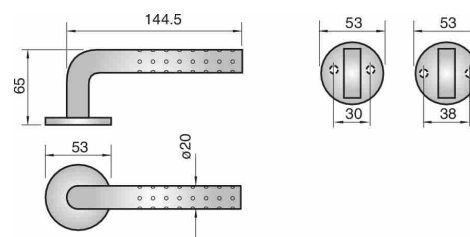
Roses prepared with both 30mm and 38mm fixing centres. Brighthandle features concealed bolt-through fixing as standard. Supplied with thumbturn with external emergency release mechanism, and internal connection cable.

Use references:

Dot Battery 40-M, to suit ASSA Connect and Modular locks.

Dot Battery 40-D, to suit Euro and DIN locks.

Suitable for general use.



Unsprung lever handles / Brighthandle



Application

Unsprung handles of stainless steel with illuminated acrylic stems. For general use. Ideal for areas where a clear and stylish indication of room occupancy is required.

Suitable for ASSA and most other makes of lockcase.

For door thickness guide, finishes and lockcase compatibility chart see Door Furniture Information appendix.



Brighthandle Dot Duo Online lever handle set

20mm brushed stainless steel with acrylic stem. Unsprung. Both levers glow green when door is unlocked, and red when door is locked.

Requires double-isolated 12V DC power supply, 24mA current usage.

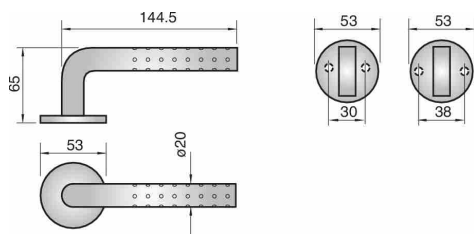
Roses prepared with both 30mm and 38mm fixing centres. Brighthandle features concealed bolt-through fixing as standard. Supplied with thumbturn with external emergency release mechanism, and internal connection cable.

Use references:

Dot Duo Online 40-M, to suit ASSA Connect and Modular locks.

Dot Duo Online 40-D, to suit Euro and DIN locks.

Suitable for general use.



Unsprung lever handles / Brighthandle

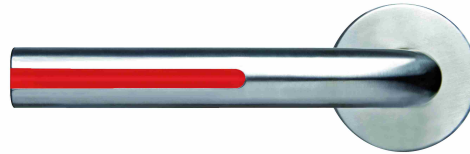


Application

Unsprung handles of stainless steel with illuminated acrylic stems. For general use. Ideal for areas where a clear and stylish indication of room occupancy is required.

Suitable for ASSA and most other makes of lockcase.

For door thickness guide, finishes and lockcase compatibility chart see Door Furniture Information appendix.



Brighthandle Line Online lever handle set

20mm brushed stainless steel with acrylic stem. Unsprung. External lever glows green when door is unlocked, and red when door is locked. Internal lever is plain stainless steel.

Requires double-isolated 12V DC power supply, 24mA current usage.

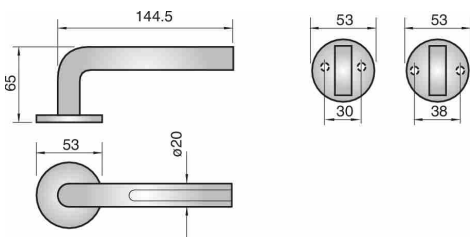
Roses prepared with both 30mm and 38mm fixing centres. Brighthandle features concealed bolt-through fixing as standard. Supplied with thumbturn with external emergency release mechanism, and internal connection cable.

Use references:

Line Online 40-M, to suit ASSA Connect and Modular locks.

Line Online 40-D, to suit Euro and DIN locks.

Suitable for general use.



Brighthandle Line Battery lever handle set

20mm brushed stainless steel with acrylic stem. Unsprung. External lever glows red when door is locked. Internal lever is plain stainless steel.

Requires two standard AA batteries fitted inside internal lever. Batteries provide six months usage in high-traffic applications.

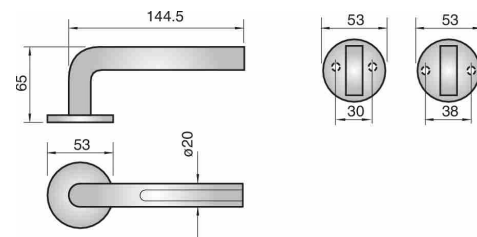
Roses prepared with both 30mm and 38mm fixing centres. Brighthandle features concealed bolt-through fixing as standard. Supplied with thumbturn with external emergency release mechanism, and internal connection cable.

Use references:

Line Battery 40-M, to suit ASSA Connect and Modular locks.

Line Battery 40-D, to suit Euro and DIN locks.

Suitable for general use.



Unsprung lever handles / Brighthandle

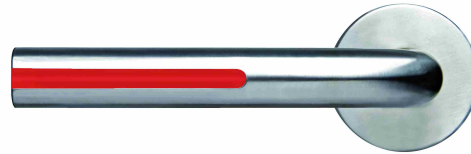


Application

Unsprung handles of stainless steel with illuminated acrylic stems. For general use. Ideal for areas where a clear and stylish indication of room occupancy is required.

Suitable for ASSA and most other makes of lockcase.

For door thickness guide, finishes and lockcase compatibility chart see Door Furniture Information appendix.



↘ Brighthandle Line Duo Online lever handle set

20mm brushed stainless steel with acrylic stem. Unsprung. Both levers glow green when door is unlocked, and red when door is locked.

Requires double-isolated 12V DC power supply, 24mA current usage.

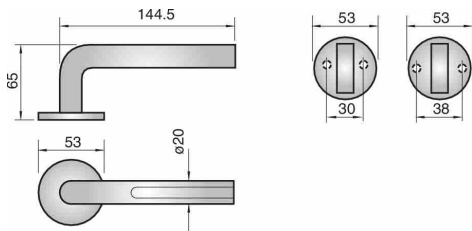
Roses prepared with both 30mm and 38mm fixing centres. Brighthandle features concealed bolt-through fixing as standard. Supplied with thumbturn with external emergency release mechanism, and internal connection cable.

Use references:

Line Duo Online 40-M, to suit ASSA Connect and Modular locks.

Line Duo Online 40-D, to suit Euro and DIN locks.

Suitable for general use.



Flip-up handle toilet accessories / Brighthandle



Application

Accessory set for bathroom and toilet doors. Especially suitable for use by disabled people. For use with ASSA Connect and Modular sash locks.

When ordering please specify hand and direction of door opening.

For door thickness guide, finishes and lockcase compatibility chart see Door Furniture Information appendix.



9566T Bright

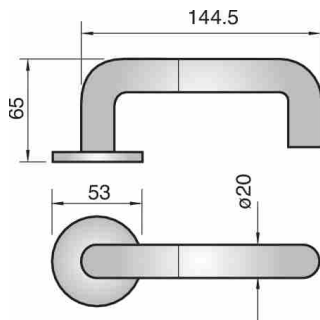
Toilet accessory set incorporating external Brighthandle Return lever handle, internal flip-up handle, and indicator rose. External lever is 20mm brushed stainless steel with acrylic stem, unsprung. External lever glows green when door is unlocked, and red when door is locked. Indicator rose may be opened in an emergency by a screwdriver or similar.

Requires double-isolated 12V DC power supply, 24mA current usage.

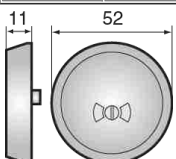
Brighthandle features concealed bolt-through fixing as standard.

Supplied with internal connection cable. For use with ASSA Connect 310 and Modular 765 lockcases.

Suitable for general use.



Exterior		Interior
Indicator rose with emergency device.		Lever handle flips up to throw deadbolt and turn external lever red.
Illuminated lever handle retracts latchbolt only.		When moved down, first retracts deadbolt, then latchbolt; also turns external lever green.



DO:RE:MI



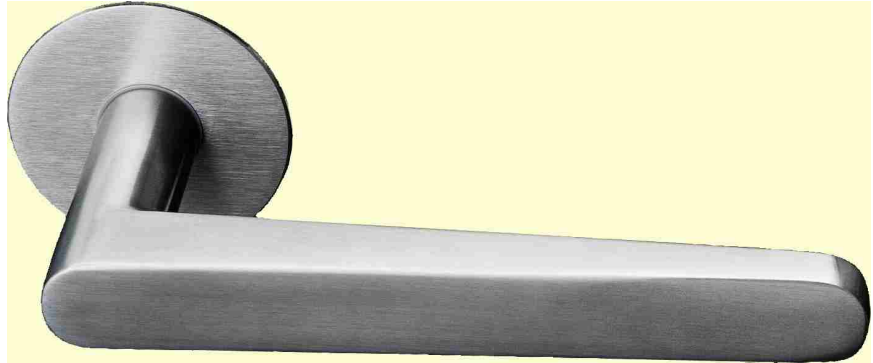
:DO: Unsprung lever handles /
DO:RE:MI



Application

Unsprung handles of heavy duty grade AISI 316L stainless steel with needle bearings. For general and heavy use. Ideal for areas where hygiene is a priority and for external use in harsh or corrosive environments. Suitable for ASSA and most other makes of lockcase.

For door thickness guide, finishes and lockcase compatibility chart see Door Furniture Information appendix.



↘ :DO: lever handles

L-shape lever, stainless steel grade AISI 316L. Unsprung.

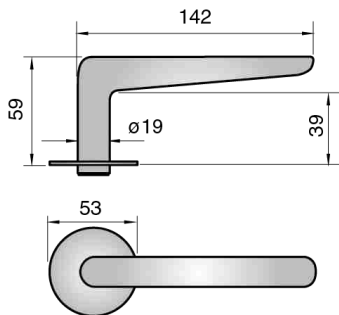
Bolt-through fixing. Supplied with spindle and M4 fixing screws suitable for door thickness 32-60mm (or up to 110mm by special order).

Suitable for general and heavy use.

951102 - 30mm fixing centres for ASSA Connect and Modular lockcases.

951104 - 38mm fixing centres for Euro/DIN type lockcases.

951103 - handle grips without roses for use with backplates.



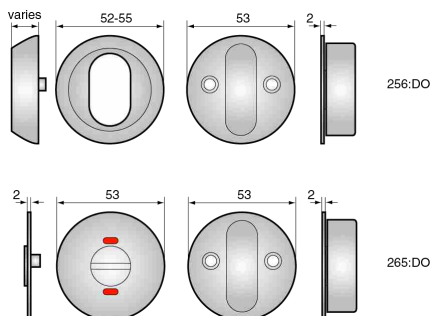
↘ :DO: thumbturns

Thumbturns for use with Connect and Modular locks. Stainless steel grade AISI 316L. Supplied with screws and fixings.

For other accessories please see the Ruko-Line door furniture range.

256:DO - Thumbturn accessory set.

265:DO - Toilet accessory set.



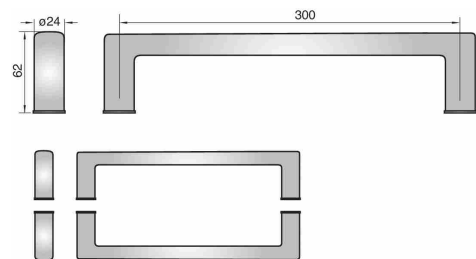
↘ :DO: pull handle

24mm diameter straight pull handle, stainless steel grade AISI 316L.

Supplied for single or double installation, to suit door thickness 10 - 70mm, with mounting bolts and accessories for glass doors. specify back-to-back or bolt-through fixing when ordering.

951145 - Single (bolt-through) pull handle 24 x 300mm.

951146 - Double (back-to-back) pull handles 24 x 300mm.



↘ :DO: backplates with thumbturns

Backplates with thumbturns for use with Connect and Modular locks.

Stainless steel grade AISI 316L. For other backplates for use with

:DO:RE:MI: handles please see the Ruko-Line section.

951587 - 60mm rectangular thumbturn and lever handle.

951594 - 60mm rectangular toilet thumbturn and lever handle.

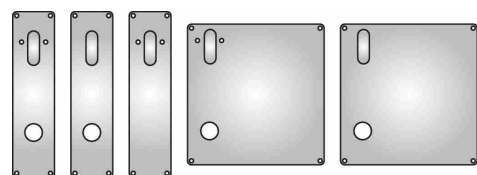
951600 - 60mm rectangular thumbturn only.

951661 - square, RH thumbturn and lever handle.

951662 - square, LH thumbturn and lever handle.

951675 - square, RH toilet thumbturn and lever handle.

951676 - square, LH toilet thumbturn and lever handle.



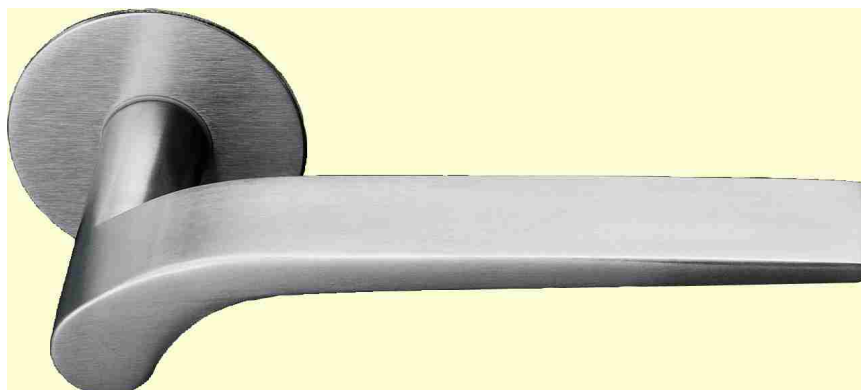
:RE: Unsprung lever handles /
DO:RE:MI



Application

Unsprung handles of heavy duty grade AISI 316L stainless steel with needle bearings. For general and heavy use. Ideal for areas where hygiene is a priority and for external use in harsh or corrosive environments. Suitable for ASSA and most other makes of lockcase.

For door thickness guide, finishes and lockcase compatibility chart see Door Furniture Information appendix.



↘ :RE: lever handles

Flat bar lever, stainless steel grade AISI 316L. Unsprung.

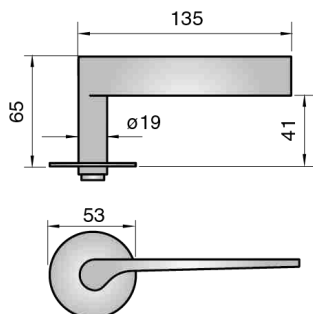
Bolt-through fixing. Supplied with spindle and M4 fixing screws suitable for door thickness 32-60mm (or up to 110mm by special order).

Suitable for general and heavy use.

951005 - 30mm fixing centres for ASSA Connect and Modular lockcases.

951004 - 38mm fixing centres for Euro/DIN type lockcases.

951003 - handle grips without roses for use with backplates.



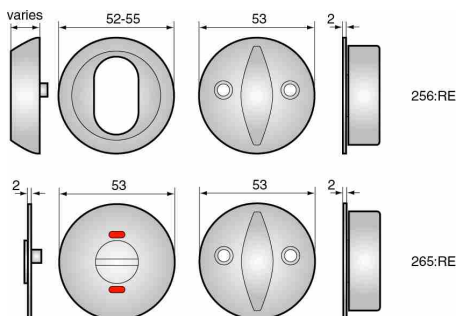
↘ :RE: thumbturns

Thumbturns for use with Connect and Modular locks. Stainless steel grade AISI 316L. Supplied with screws and fixings.

For other accessories please see the Ruko-Line door furniture range.

256:RE - Thumbturn accessory set.

265:RE - Toilet accessory set.



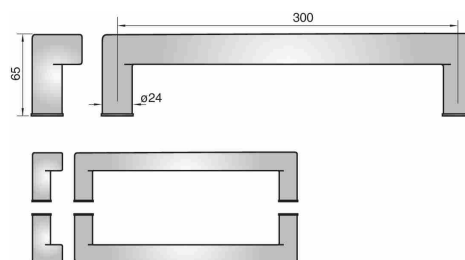
↘ :RE: pull handles

24mm diameter straight pull handle, stainless steel grade AISI 316L.

Supplied for single or double installation, to suit door thickness 10 - 70mm, with mounting bolts and accessories for glass doors. specify back-to-back or bolt-through fixing when ordering.

951045 - Single (bolt-through) pull handle 24 x 300mm.

951046 - Double (back-to-back) pull handles 24 x 300mm.



↘ :RE: backplates with thumbturns

Backplates with thumbturns for use with Connect and Modular locks.

Stainless steel grade AISI 316L. For other backplates for use with

:DO:RE:MI: handles please see the Ruko-Line section.

951586 - 60mm rectangular thumbturn and lever handle.

951593 - 60mm rectangular toilet thumbturn and lever handle.

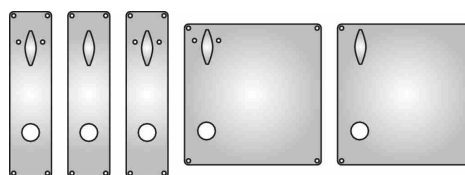
951599 - 60mm rectangular thumbturn only.

951659 - square, RH thumbturn and lever handle.

951660 - square, LH thumbturn and lever handle.

951673 - square, RH toilet thumbturn and lever handle.

951674 - square, LH toilet thumbturn and lever handle.



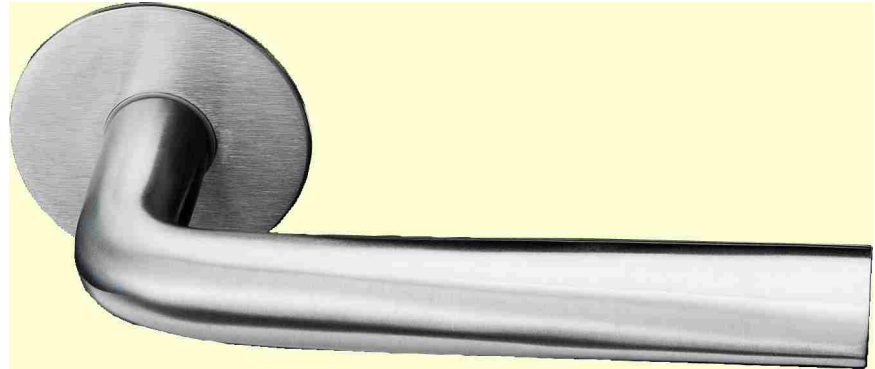
:MI: Unsprung lever handles / DO:RE:MI



Application

Unsprung handles of heavy duty grade AISI 316L stainless steel with needle bearings. For general and heavy use. Ideal for areas where hygiene is a priority and for external use in harsh or corrosive environments. Suitable for ASSA and most other makes of lockcase.

For door thickness guide, finishes and lockcase compatibility chart see Door Furniture Information appendix.



↘ :MI: lever handles

L-shape lever, stainless steel grade AISI 316L. Unsprung.

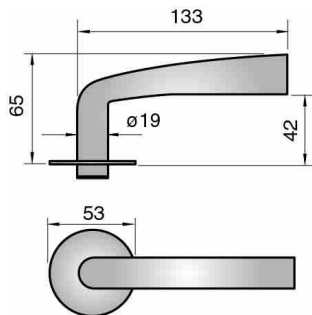
Bolt-through fixing. Supplied with spindle and M4 fixing screws suitable for door thickness 32-60mm (or up to 110mm by special order).

Suitable for general and heavy use.

951202 - 30mm fixing centres for ASSA Connect and Modular lockcases.

951204 - 38mm fixing centres for Euro/DIN type lockcases.

951203 - handle grips without roses for use with backplates.



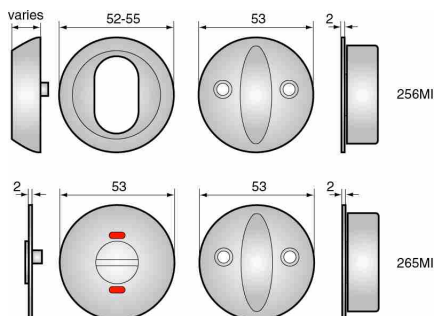
↘ :MI: thumbturns

Thumbturns for use with Connect and Modular locks. Stainless steel grade AISI 316L. Supplied with screws and fixings.

For other accessories please see the Ruko-Line door furniture range.

256:MI - Thumbturn accessory set.

265:MI - Toilet accessory set.



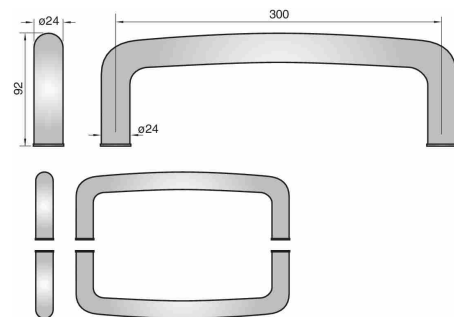
↘ :MI: pull handles

24mm diameter straight pull handle, stainless steel grade AISI 316L.

Supplied for single or double installation, to suit door thickness 10 - 70mm, with mounting bolts and accessories for glass doors. specify back-to-back or bolt-through fixing when ordering.

951245 - Single (bolt-through) pull handle 24 x 300mm.

951246 - Double (back-to-back) pull handles 24 x 300mm.



↘ :MI: backplates with thumbturns

Backplates with thumbturns for use with Connect and Modular locks.

Stainless steel grade AISI 316L. For other backplates for use with

:DO:RE:MI: handles please see the Ruko-Line section.

951585 - 60mm rectangular thumbturn and lever handle.

951592 - 60mm rectangular toilet thumbturn and lever handle.

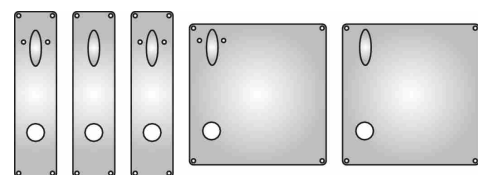
951598 - 60mm rectangular thumbturn only.

951671 - square, RH thumbturn and lever handle.

951672 - square, LH thumbturn and lever handle.

951657 - square, RH toilet thumbturn and lever handle.

951658 - square, LH toilet thumbturn and lever handle.



Unsprung lever handles L16 / Ruko-Line



Application

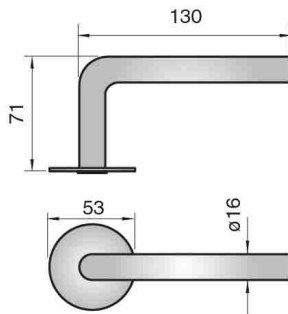
Unsprung handles of grade 316L stainless steel with needle bearings. For general and heavy use. Ideal for areas where hygiene is a priority and for external use in harsh or corrosive environments. Suitable for ASSA and most other makes of lockcase.

For door thickness guide, finishes and lockcase compatibility chart see Door Furniture Information appendix.



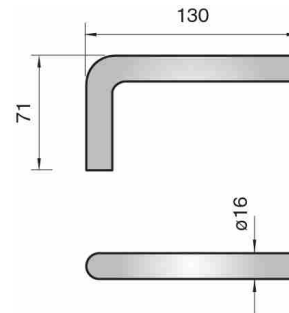
951501 lever handle

L-shape lever, 16mm diameter tubular stainless steel, grade 316L. Unsprung. Bolt-through fixing. Roses are prepared with 30mm fixing centres for use with ASSA Connect and Modular lockcases. Supplied with spindle and M4 fixing screws suitable for door thickness 32-60mm. Suitable for general and heavy use.



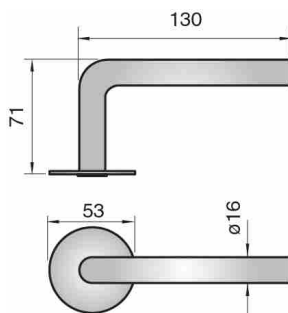
951502 lever handle

L-shape lever, 16mm diameter tubular stainless steel, grade 316L. Unsprung. For use with backplates. Supplied with spindle suitable for door thickness 32-60mm. Suitable for general and heavy use.



951503 lever handle

L-shape lever, 16mm diameter tubular stainless steel, grade 316L. Unsprung. Bolt-through fixing. Roses are prepared with 38mm fixing centres for use with Euro / DIN type lockcases. Supplied with spindle and M4 fixing screws suitable for door thickness 32-60mm. Suitable for general and heavy use.



Unsprung lever handles D16 / Ruko-Line



Application

Unsprung handles of grade 316L stainless steel with needle bearings and safety return. For general and heavy use. Ideal for areas where hygiene is a priority and for external use in harsh or corrosive environments. Suitable for ASSA and most other makes of lockcase.

For door thickness guide, finishes and lockcase compatibility chart see Door Furniture Information appendix.

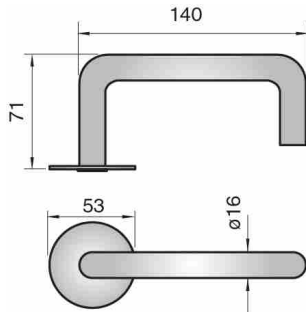


951504 lever handle

U-shape lever, 16mm diameter tubular stainless steel, grade 316L. Unsprung.

Features safety return. Bolt-through fixing. Roses are prepared with 30mm fixing centres for use with ASSA Connect and Modular lockcases. Supplied with spindle and M4 fixing screws suitable for door thickness 32-60mm.

Suitable for general and heavy use.

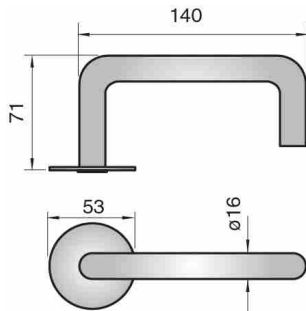


951506 lever handle

U-shape lever, 16mm diameter tubular stainless steel, grade 316L. Unsprung.

Features safety return. Bolt-through fixing. Roses are prepared with 38mm fixing centres for use with Euro / DIN type lockcases. Supplied with spindle and M4 fixing screws suitable for door thickness 32-60mm.

Suitable for general and heavy use.

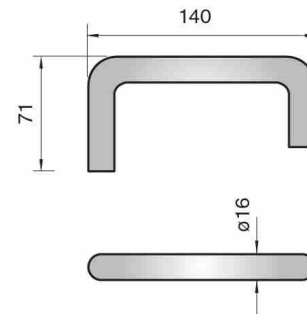


951505 lever handle

U-shape lever, 16mm diameter tubular stainless steel, grade 316L. Unsprung.

Features safety return. For use with backplates. Supplied with spindle suitable for door thickness 32-60mm.

Suitable for general and heavy use.



Unsprung lever handles L19 / Ruko-Line



Application

Unsprung handles of grade 316L stainless steel with needle bearings. For general and heavy use. Ideal for areas where hygiene is a priority and for external use in harsh or corrosive environments. Suitable for ASSA and most other makes of lockcase.

For door thickness guide, finishes and lockcase compatibility chart see Door Furniture Information appendix.

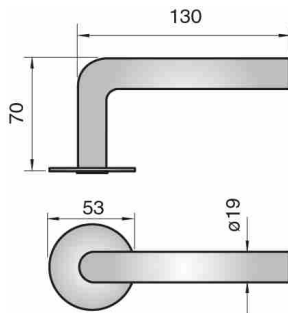


951507 lever handle

L-shape lever, 19mm diameter tubular stainless steel, grade 316L. Unsprung.

Bolt-through fixing. Roses are prepared with 30mm fixing centres for use with ASSA Connect and Modular lockcases. Supplied with spindle and M4 fixing screws suitable for door thickness 32-60mm.

Suitable for general and heavy use.

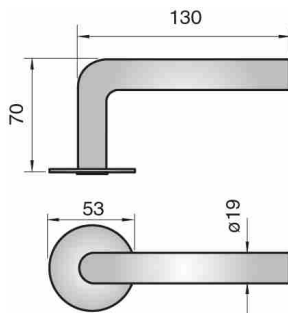


951509 lever handle

L-shape lever, 19mm diameter tubular stainless steel, grade 316L. Unsprung.

Bolt-through fixing. Roses are prepared with 38mm fixing centres for use with Euro / DIN type lockcases. Supplied with spindle and M4 fixing screws suitable for door thickness 32-60mm.

Suitable for general and heavy use.

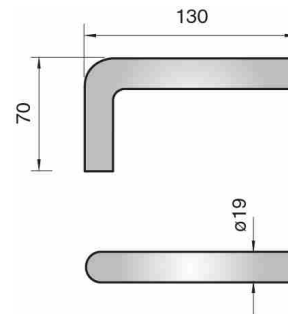


951508 lever handle

L-shape lever, 19mm diameter tubular stainless steel, grade 316L. Unsprung.

For use with backplates. Supplied with spindle suitable for door thickness 32-60mm.

Suitable for general and heavy use.



Unsprung lever handles D19 / Ruko-Line



Application

Unsprung handles of grade 316L stainless steel with needle bearings and safety return. For general and heavy use. Ideal for areas where hygiene is a priority and for external use in harsh or corrosive environments. Suitable for ASSA and most other makes of lockcase.

For door thickness guide, finishes and lockcase compatibility chart see Door Furniture Information appendix.

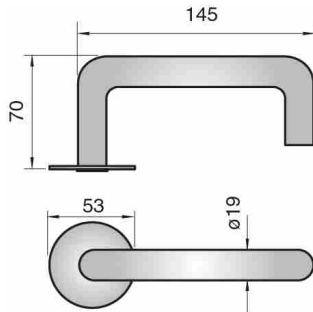


951510 lever handle

U-shape lever, 19mm diameter tubular stainless steel, grade 316L. Unsprung.

Features safety return, as recommended by BS 8300 for use by disabled people. Bolt-through fixing. Roses are prepared with 30mm fixing centres for use with ASSA Connect and Modular lockcases.

Supplied with spindle and M4 fixing screws suitable for door thickness 32-60mm. Suitable for general and heavy use.

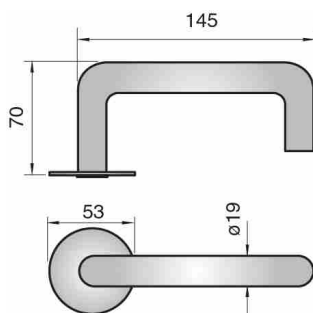


951512 lever handle

U-shape lever, 19mm diameter tubular stainless steel, grade 316L. Unsprung.

Features safety return, as recommended by BS 8300 for use by disabled people. Bolt-through fixing. Roses are prepared with 38mm fixing centres for use with Euro / DIN type lockcases. Supplied with spindle and M4 fixing screws suitable for door thickness 32-60mm.

Suitable for general and heavy use.

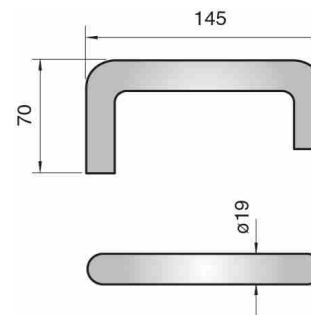


951511 lever handle

U-shape lever, 19mm diameter tubular stainless steel, grade 316L. Unsprung.

Features safety return, as recommended by BS 8300 for use by disabled people. For use with backplates. Supplied with spindle suitable for door thickness 32-60mm.

Suitable for general and heavy use.



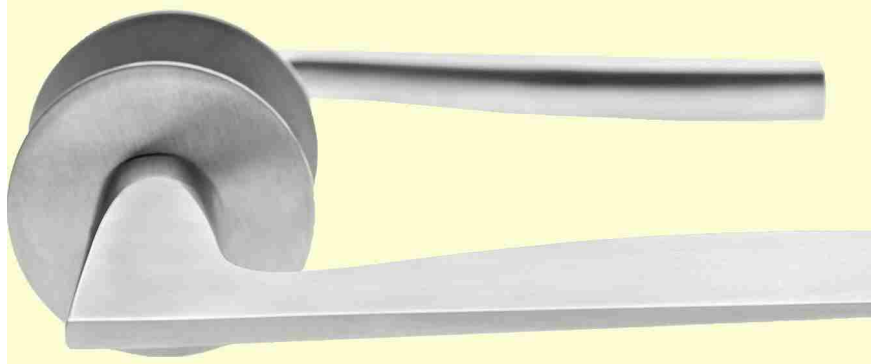
Unsprung lever handles / Ruko-Line



Application

Unsprung handles of grade 316L stainless steel with needle bearings. For general and heavy use. Ideal for areas where hygiene is a priority and for external use in harsh or corrosive environments. Suitable for ASSA and most other makes of lockcase.

For door thickness guide, finishes and lockcase compatibility chart see Door Furniture Information appendix.

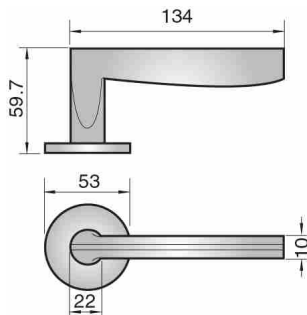


951300 lever handle

Holgaard designer lever, 19mm diameter tubular stainless steel, grade 316L. Unsprung.

Bolt-through fixing. Roses are prepared with 30mm fixing centres for use with ASSA Connect and Modular lockcases. Supplied with spindle and M4 fixing screws suitable for door thickness 32-60mm.

Suitable for general and heavy use.

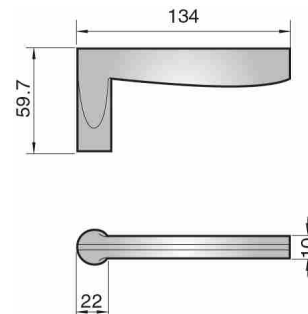


951303 lever handle

Holgaard designer lever, 19mm diameter tubular stainless steel, grade 316L. Unsprung.

For use with backplates. Supplied with spindle suitable for door thickness 32-60mm.

Suitable for general and heavy use.

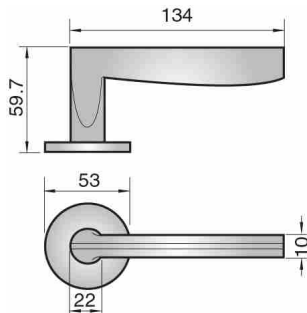


951306 lever handle

Holgaard designer lever, 19mm diameter tubular stainless steel, grade 316L. Unsprung.

Bolt-through fixing. Roses are prepared with 38mm fixing centres for use with Euro / DIN type lockcases. Supplied with spindle and M4 fixing screws suitable for door thickness 32-60mm.

Suitable for general and heavy use.



Unsprung hospital lever handles / Ruko-Line



Application

Unsprung handles of grade 316L stainless steel with needle bearings and safety return. For general and heavy use. Ideal for hospital doors and areas where hygiene is a priority. Suitable for ASSA and most other makes of lockcase.

For door thickness guide, finishes and lockcase compatibility chart see Door Furniture Information appendix.

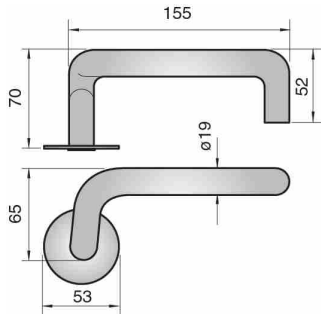


951884 lever handle

Hospital lever, 19mm diameter tubular stainless steel, grade 316L. Unsprung.

Features safety return, as recommended by BS 8300 for use by disabled people. Bolt-through fixing. Roses are prepared with 30mm fixing centres for use with ASSA Connect and Modular lockcases. Supplied with spindle and M4 fixing screws suitable for door thickness 32-60mm.

Suitable for general and heavy use.

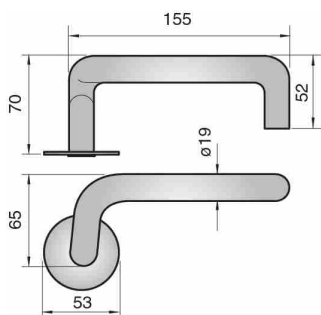


951887 lever handle

Hospital lever, 19mm diameter tubular stainless steel, grade 316L. Unsprung.

Features safety return, as recommended by BS 8300 for use by disabled people. Bolt-through fixing. Roses are prepared with 38mm fixing centres for use with Euro / DIN type lockcases. Supplied with spindle and M4 fixing screws suitable for door thickness 32-60mm.

Suitable for general and heavy use.

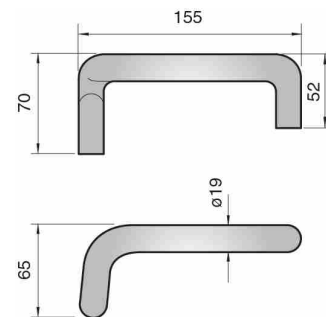


951863 lever handle

Hospital lever, 19mm diameter tubular stainless steel, grade 316L. Unsprung.

Features safety return, as recommended by BS 8300 for use by disabled people. For use with backplates. Supplied with spindle suitable for door thickness 32-60mm.

Suitable for general and heavy use.



Backplates for handles / Ruko-Line



Application

Backplates of grade 316L stainless steel for use with Ruko-Line lever handles. For finishes see Door Furniture Information appendix.



↘ Rectangular backplates

Stainless steel, grade 316L. For use with Ruko-Line lever handles. Fixing screws not included. Height 206mm, thickness 2mm. Two widths available: 52mm and 60mm.

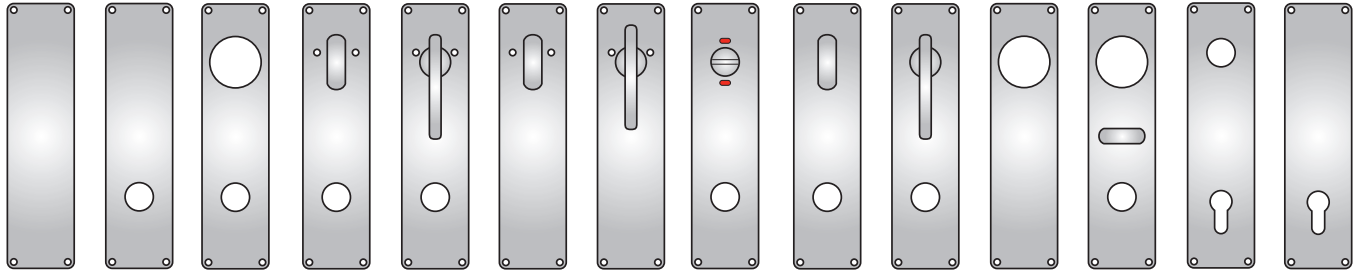
↘ Square backplates

Stainless steel, grade 316L. For use with Ruko-Line lever handles. Fixing screws not included. Handed. Height 175mm, width 170mm, thickness 2mm.

Backplates for handles

↘ Rectangular backplates

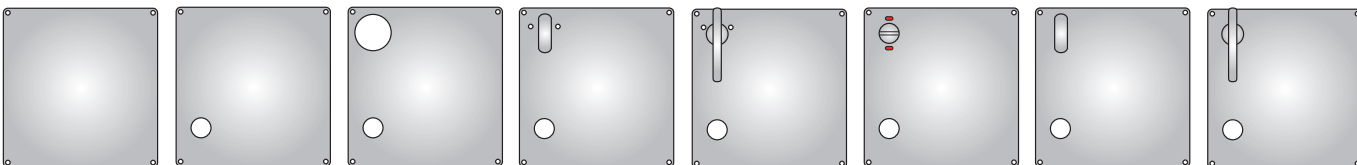
For Connect and Modular locks (50mm and 70mm backset)



For Connect and Modular locks (50mm and 70mm backset)												For Euro/DIN locks	
Blind plate	Handle only	Cylinder & handle	Thumbturn & handle	Disabled thumbturn & handle	Thumbturn only	Disabled thumbturn only	Toilet indicator	Thumbturn & handle for toilet set	Disabled thumbturn & handle for toilet set	Cylinder only	Use with Connect 2002 & Modular 2000	Euro cylinder & handle	Euro cylinder only
52mm: 951557	52mm: 951558	60mm: 951580	60mm: 951583	60mm: 951584	60mm: 951596	60mm: 951597	52mm: 951565	52mm: 951567	52mm: 951568	60mm: 951581	60mm: 951601	52mm: 951560	52mm: 951563
60mm: 951578	60mm: 951579						60mm: 951588	60mm: 951590	60mm: 951591				

↘ Square backplates

For Connect and Modular locks (50mm and 70mm backset)



For Connect and Modular locks (50mm and 70mm backset)							
Blind plate	Handle only	Cylinder & handle	Thumbturn & handle	Disabled thumbturn & handle	Toilet indicator	Thumbturn & handle for toilet set	Disabled thumbturn & handle for toilet set
951646	Right hand: 951647	Right hand: 951649	Right hand: 951653	Right hand: 951655	Right hand: 951663	Right hand: 951667	Right hand: 951669
	Left hand: 951648	Left hand: 951650	Left hand: 951654	Left hand: 951656	Left hand: 951664	Left hand: 951668	Left hand: 951670

Pull handles 16/19 / Ruko-Line



Application

Door pulls designed for compatibility with the Ruko-Line range of door furniture. Made from grade 316L stainless steel. Ideal for areas where hygiene is a priority and for external use in harsh or corrosive environments.

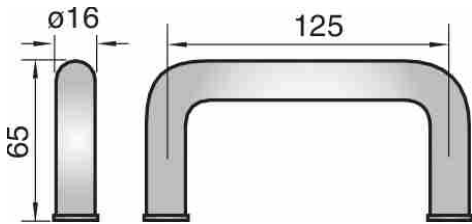
For door thickness guide and finishes see Door Furniture Information appendix.



7016 pull handles

16mm diameter stainless steel pull handles.

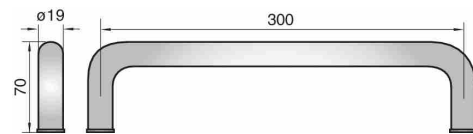
Supplied for single installation, to suit door thickness 10 - 70mm, with mounting bolts and accessories for glass doors.



7019 pull handle

19mm diameter stainless steel pull handle.

Supplied for single installation, to suit door thickness 10 - 70mm, with mounting bolts and accessories for glass doors.



Pull handles - straight / Ruko-Line



Application

Door pulls designed for compatibility with the Ruko-Line range of door furniture. Made from grade 316L stainless steel. Ideal for areas where hygiene is a priority and for external use in harsh or corrosive environments.

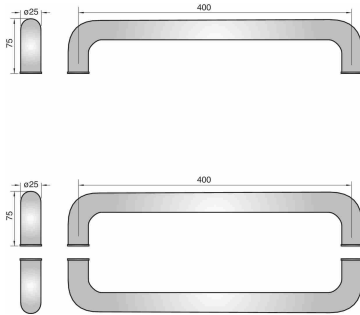
For door thickness guide and finishes see Door Furniture Information appendix.



7025 pull handles

25mm diameter stainless steel pull handles.

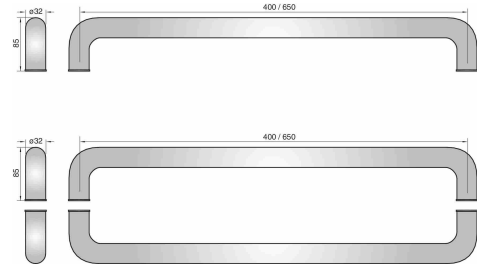
Supplied for single or double installation, to suit door thickness 10 - 70mm, with mounting bolts and accessories for glass doors. Specify back-to-back or bolt-through fixing when ordering.



7032 pull handles

32mm diameter stainless steel pull handles, available in two lengths.

Supplied for single or double installation, to suit door thickness 10 - 70mm, with mounting bolts and accessories for glass doors. Specify back-to-back or bolt-through fixing when ordering.



Pull handles - cranked / Ruko-Line



Application

Door pulls designed for compatibility with the, Ruko-Line range of door furniture. Made from grade 316L stainless steel. Ideal for areas where hygiene is a priority and for external use in harsh or corrosive environments.

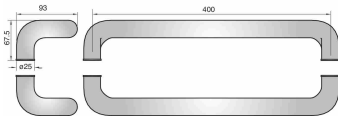
For door thickness guide and finishes see Door Furniture Information appendix.



7125 cranked pull handles

25mm diameter stainless steel pull handles.

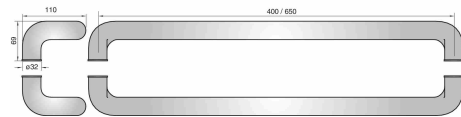
Supplied for single or double installation, to suit door thickness 10 - 70mm, with mounting bolts and accessories for glass doors. Specify back-to-back or bolt-through fixing when ordering.



7132 cranked pull handles

32mm diameter stainless steel pull handles, available in two lengths.

Supplied for single or double installation, to suit door thickness 10 - 70mm, with mounting bolts and accessories for glass doors. Specify back-to-back or bolt-through fixing when ordering.



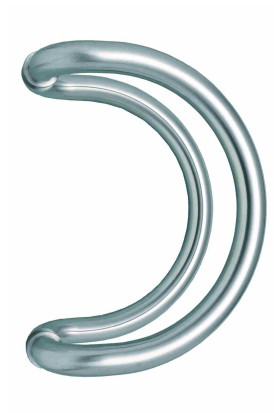
Pull handles - round / Ruko-Line



Application

Door pulls designed for compatibility with the, Ruko-Line range of door furniture. Made from grade 316L stainless steel. Ideal for areas where hygiene is a priority and for external use in harsh or corrosive environments.

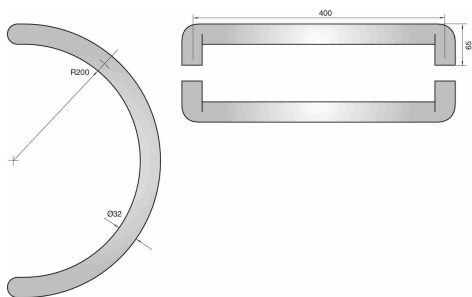
For door thickness guide and finishes see Door Furniture Information appendix.



7232 round pull handles

32mm diameter stainless steel pull handles.

Supplied for double installation, to suit door thickness 10 - 70mm, with mounting bolts and accessories for glass doors.



Accessories / Ruko-Line



Application

Accessories to complement the Ruko-Line range.
For lockcase compatibility chart see Door Furniture Information appendix.

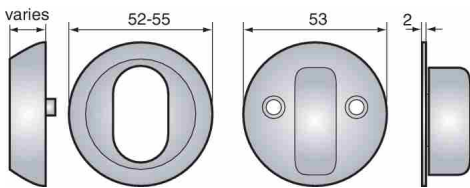


256RL thumbturn set

Thumbturn accessory set for use with ASSA Connect and Modular locks. Grade 316L stainless steel. Supplied with spindle, screws and exterior cylinder ring.

Cylinder ring outside, thumbturn inside.

Sizes available: 11mm, 13mm, 16mm and 18mm.

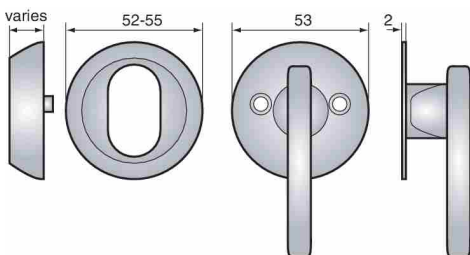


9256RL disabled thumbturn set

Thumbturn accessory set for use with ASSA Connect and Modular locks. Grade 316L stainless steel. Extended grip for easy access. Supplied with spindle, screws and exterior cylinder ring.

Cylinder ring outside, thumbturn inside.

Sizes available: 11mm, 13mm, 16mm and 18mm.



Accessory sets for Connect & Modular locks

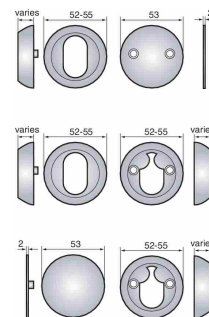
Cylinder accessory sets for use with ASSA Connect and Modular locks. Grade 316L stainless steel. Supplied with all necessary fittings.

Sizes available: 11mm, 13mm, 16mm and 18mm.

2356RL: Cylinder ring outside, blind rose inside

18256RL: Cylinder ring outside, cylinder ring inside

2256RL: Blind rose outside, cylinder ring inside



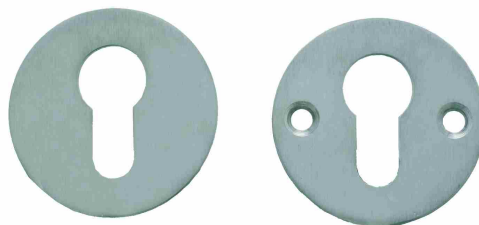
Accessories 2 / Ruko-Line



Application

Accessories to complement the Ruko-Line range.

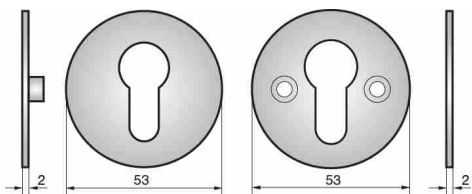
For lockcase compatibility chart see Door Furniture Information appendix.



220RL Euro escutcheons

Pair of cylinder escutcheons for Euro Profile cylinders. Grade 316 stainless steel. Screw centre distance 38mm.

Supplied with M5 screws for bolt-through fixing.

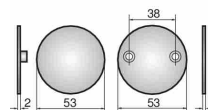
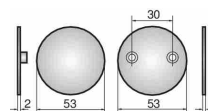


Blind roses

Pairs of blind roses. Grade 316 stainless steel. Screw centre distance 30mm (to suit Connect and Modular) or 38mm (to suit Euro).

Supplied with screws for bolt-through fixing.

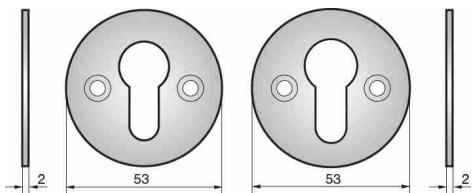
994RL: 30mm centres, supplied with M4 screws. In lieu of handle
995RL: 30mm centres, supplied with M5 screws. In lieu of cylinder
996RL: 38mm centres, supplied with M5 screws



320RL Euro escutcheons

Pair of cylinder escutcheons for Euro Profile cylinders. Grade 316 stainless steel. Screw centre distance 38mm.

Supplied with wood screws.





Application

Accessories to complement the Ruko-Line range.

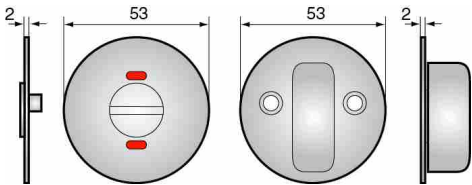
For lockcase compatibility chart see Door Furniture Information appendix.



265RL toilet accessory set

Toilet accessory set for use with ASSA Connect and Modular bathroom locks. Grade 316 stainless steel. Includes roses, thumbturn, red/white indicator and all fixings.

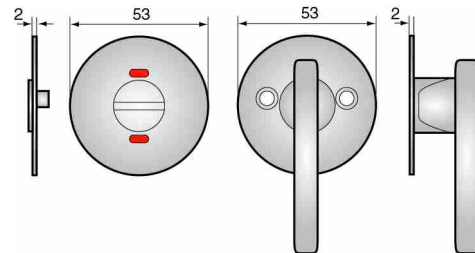
Indicator rose outside, thumbturn inside.



9265RL disabled toilet accessory set

Toilet accessory set for use with ASSA Connect and Modular bathroom locks. Grade 316 stainless steel. Extended grip for easy operation. Includes roses, thumbturn, red/white indicator and all fixings.

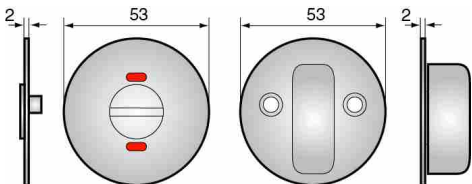
Indicator rose outside, thumbturn inside.



262RL toilet accessory set

Toilet accessory set for use with Euro / DIN bathroom locks. Grade 316 stainless steel. Includes roses, thumbturn, red/white indicator and all fixings.

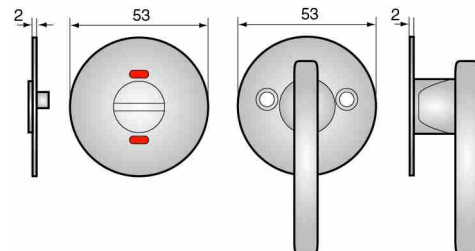
Indicator rose outside, thumbturn inside.



9262RL disabled toilet accessory set

Toilet accessory set for use with Euro / DIN bathroom locks. Grade 316 stainless steel. Extended grip for easy operation. Includes roses, thumbturn, red/white indicator and all fixings.

Indicator rose outside, thumbturn inside.



Unsprung lever handles 1 / ScanFlex



Application

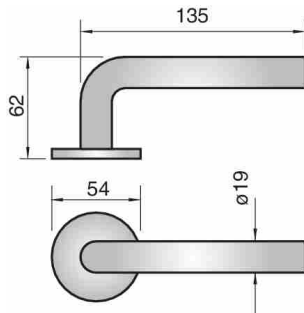
Unsprung handles of AISI 304 stainless steel. For general use. Ideal for areas where hygiene is a priority and for external use. Suitable for ASSA and most other makes of lockcase. The Nordic U safety return handle is particularly suitable for use by disabled people, as recommended in BS 8300.

For door thickness guide, finishes and lockcase compatibility chart see Door Furniture Information appendix.



↳ Nordic L lever handle

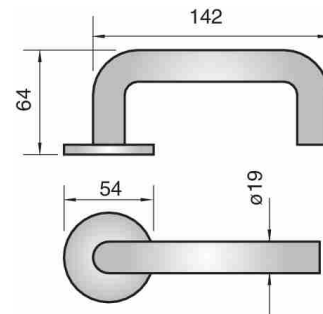
Modern 19mm brushed stainless steel, grade 304. Unsprung. Roses prepared with both 30mm and 38mm fixing centres. All ScanFlex handles feature concealed bolt-through fixing as standard. Suitable for general use.



95 45 03

↳ Nordic U lever handle

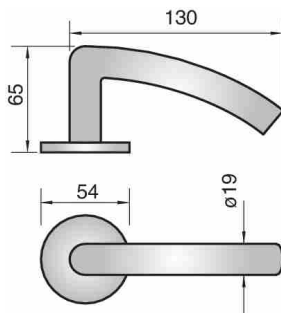
Modern 19mm brushed stainless steel, grade 304. Unsprung. Features safety return. Roses prepared with both 30mm and 38mm fixing centres. All ScanFlex handles feature concealed bolt-through fixing as standard. Suitable for general use.



95 44 95

↳ Copenhagen lever handle

Modern 19mm brushed stainless steel, grade 304. Unsprung. Roses prepared with both 30mm and 38mm fixing centres. All ScanFlex handles feature concealed bolt-through fixing as standard. Suitable for general use.



95 45 20

Unsprung lever handles 2 / ScanFlex



Application

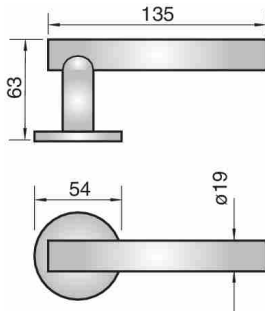
Unsprung handles of AISI 304 stainless steel. For general use. Ideal for areas where hygiene is a priority and for external use. Suitable for ASSA and most other makes of lockcase.

For door thickness guide, finishes and lockcase compatibility chart see Door Furniture Information appendix.



Oslo lever handle

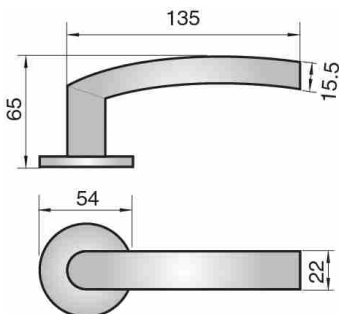
Modern 19mm brushed stainless steel, grade 304. Unsprung. Roses prepared with both 30mm and 38mm fixing centres. All ScanFlex handles feature concealed bolt-through fixing as standard. Suitable for general use.



95 45 21

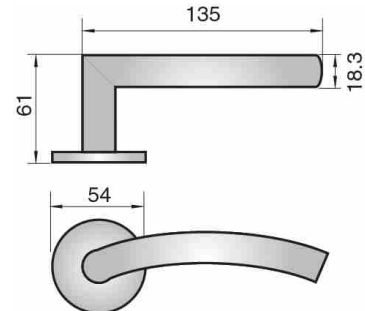
Sweden lever handle

Modern 22x15.5mm brushed stainless steel, grade 304. Unsprung. Roses prepared with both 30mm and 38mm fixing centres. All ScanFlex handles feature concealed bolt-through fixing as standard. Suitable for general use.



Norway lever handle

Modern 18mm brushed stainless steel, grade 304. Unsprung. Roses prepared with both 30mm and 38mm fixing centres. All ScanFlex handles feature concealed bolt-through fixing as standard. Suitable for general use.



Unsprung lever handles 3 / ScanFlex



Application

Unsprung handles of AISI 304 stainless steel. For general use. Ideal for areas where hygiene is a priority and for external use. Suitable for ASSA and most other makes of lockcase.

For door thickness guide, finishes and lockcase compatibility chart see Door Furniture Information appendix.

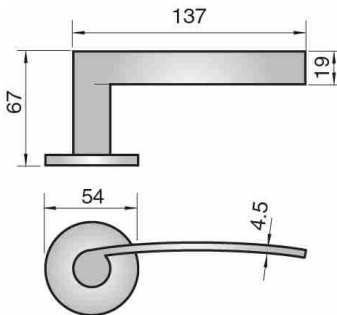


Denmark lever handle

Modern 19x4.5mm brushed stainless steel, grade 304. Unsprung.

Roses prepared with both 30mm and 38mm fixing centres. All ScanFlex handles feature concealed bolt-through fixing as standard.

Suitable for general use.

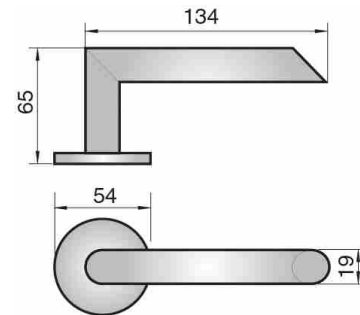


Iceland lever handle

Modern 19mm brushed stainless steel, grade 304. Unsprung.

Roses prepared with both 30mm and 38mm fixing centres. All ScanFlex handles feature concealed bolt-through fixing as standard.

Suitable for general use.

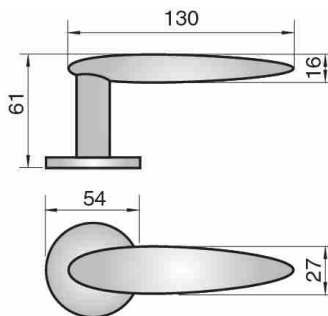


Finland lever handle

Modern 16x27mm brushed stainless steel, grade 304. Unsprung.

Roses prepared with both 30mm and 38mm fixing centres. All ScanFlex handles feature concealed bolt-through fixing as standard.

Suitable for general use.



Pull handles 25 / ScanFlex



Application

Door pulls designed for compatibility with the ScanFlex range of door furniture. For use on glass, timber and metal doors.

For door thickness guide and finishes see Door Furniture Information appendix.



25mm x 300mm

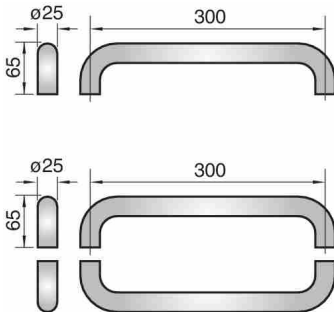
25mm diameter stainless steel pull handles without roses.

Supplied for single or double installation, with mounting bolts and accessories for glass doors.

To specify bolt through or back-to-back fixing, please use 6-digit reference indicated.

Bolt-through: 95 45 10

Back-to-back: 95 45 11



25mm x 400mm

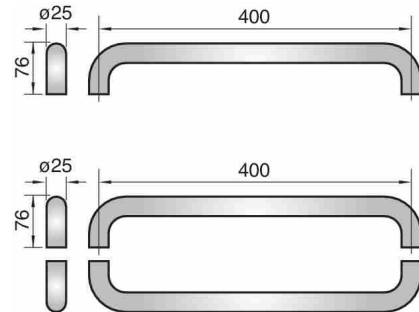
25mm diameter stainless steel pull handles without roses.

Supplied for single or double installation, with mounting bolts and accessories for glass doors.

To specify bolt through or back-to-back fixing, please use 6-digit reference indicated.

Bolt-through: 95 46 16

Back-to-back: 95 46 17



25mm x 600mm

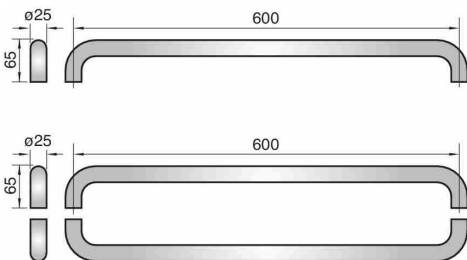
25mm diameter stainless steel pull handles without roses.

Supplied for single or double installation, with mounting bolts and accessories for glass doors.

To specify bolt through or back-to-back fixing, please use 6-digit reference indicated.

Bolt-through: 95 45 23

Back-to-back: 95 45 24



Pull handles 32 / ScanFlex



Application

Door pulls designed for compatibility with the ScanFlex range of door furniture. For use on glass, timber and metal doors.

For door thickness guide and finishes see Door Furniture Information appendix.



32mm x 300mm

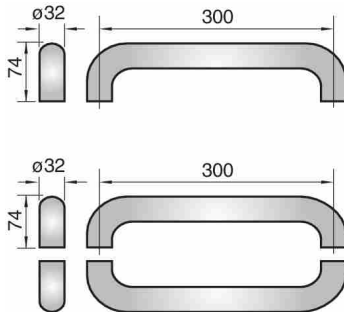
32mm diameter stainless steel pull handles without roses.

Supplied for single or double installation, with mounting bolts and accessories for glass doors.

To specify bolt through or back-to-back fixing, please use 6-digit reference indicated.

Bolt-through: 95 45 12

Back-to-back: 95 45 13



32mm x 400mm

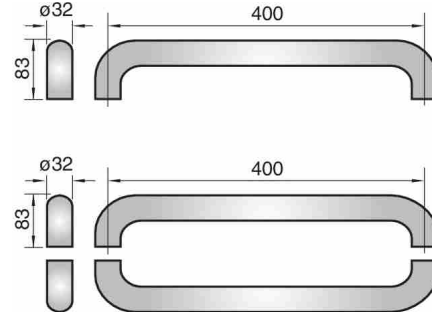
32mm diameter stainless steel pull handles without roses.

Supplied for single or double installation, with mounting bolts and accessories for glass doors.

To specify bolt through or back-to-back fixing, please use 6-digit reference indicated.

Bolt-through: 95 46 18

Back-to-back: 95 46 19



32mm x 600mm

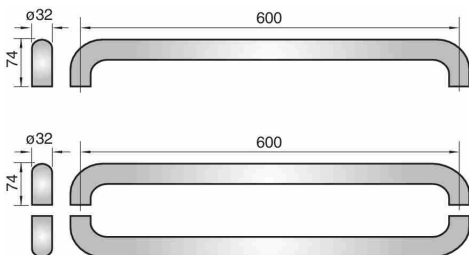
32mm diameter stainless steel pull handles without roses.

Supplied for single or double installation, with mounting bolts and accessories for glass doors.

To specify bolt through or back-to-back fixing, please use 6-digit reference indicated.

Bolt-through: 95 45 25

Back-to-back: 95 45 26



Cranked pull handles / ScanFlex



Application

Door pulls designed for compatibility with the ScanFlex range of door furniture. For use on glass, timber and metal doors

For door thickness guide and finishes see Door Furniture Information appendix.



25mm x 400mm

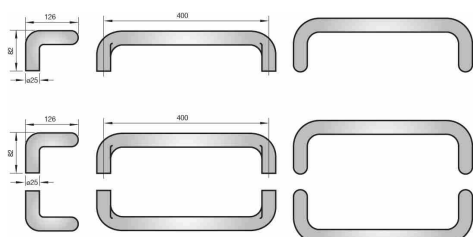
25mm diameter stainless steel pull handles without roses.

Supplied for single or double installation, with mounting bolts and accessories for glass doors.

To specify bolt through or back-to-back fixing, please use 6-digit reference indicated.

Bolt-through: 95 46 20

Back-to-back: 95 46 21



32mm x 400mm

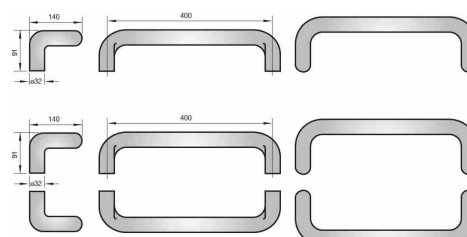
32mm diameter stainless steel pull handles without roses.

Supplied for single or double installation, with mounting bolts and accessories for glass doors.

To specify bolt through or back-to-back fixing, please use 6-digit reference indicated.

Bolt-through: 95 46 22

Back-to-back: 95 46 23



Pull handles / ScanFlex



Application

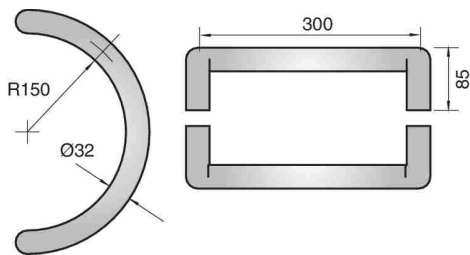
Door pulls designed for compatibility with the ScanFlex range of door furniture. For use on glass, timber and metal doors.

For door thickness guide and finishes see Door Furniture Information appendix.



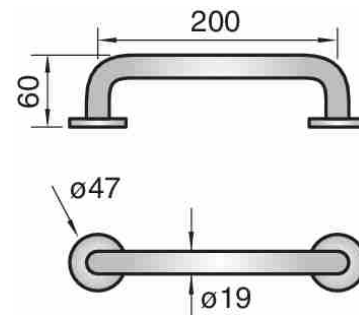
95 45 14 circular pull

32mm diameter stainless steel circular pull handle without roses. Bolt-through fixing: supplied for double installation, with mounting bolts and accessories for glass doors.



95 45 09 pull handle with roses

19mm diameter stainless steel pull handle with fixed roses. Surface fixing supplied for single installation, with wood screws and cover caps.



Accessories 1 / ScanFlex



Application

Accessories to complement the ScanFlex range.
For lockcase compatibility chart see Door Furniture Information appendix.



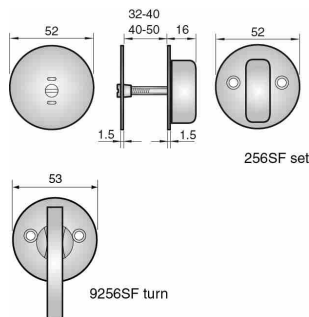
256SF thumbturn set

Thumbturn accessory set for use with ASSA Connect and Modular locks. Stainless steel effect. Supplied with spindle, screws and exterior cylinder ring.

Cylinder ring outside, thumbturn inside.

Sizes available: 11mm, 13mm, 16mm and 18mm.

Also available with extended grip for use by disabled people: ref **9256SF**.

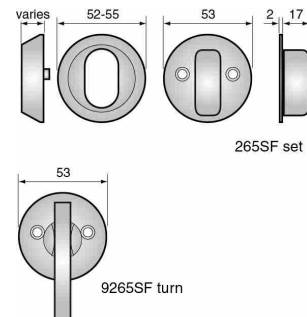


265SF toilet accessory set

Toilet accessory set for use with ASSA Connect and Modular bathroom locks. Stainless steel. Includes roses, thumbturn, red/white indicator and all fixings.

Indicator rose outside, thumbturn inside.

Also available with extended grip for use by disabled people: ref **9265SF**.



Accessory sets for Connect & Modular locks

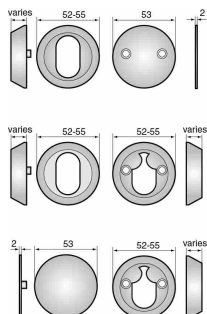
Cylinder accessory sets for use with ASSA Connect and Modular locks. Stainless steel effect. Supplied with all necessary fittings.

Sizes available: 11mm, 13mm, 16mm and 18mm.

2356SF: Cylinder ring outside, blind rose inside

18256SF: Cylinder ring outside, cylinder ring inside

2256SF: Blind rose outside, cylinder ring inside





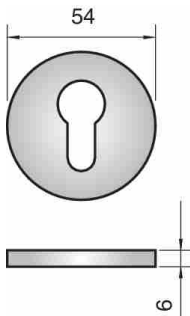
Application

Accessories to complement the ScanFlex range.
For lockcase compatibility chart see Door Furniture Information appendix.



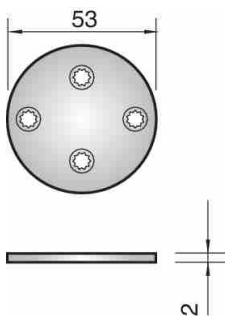
320SF escutcheons

Stainless steel cylinder escutcheons for Euro Profile cylinders. Feature concealed fixing as standard.
Supplied with wood screws.



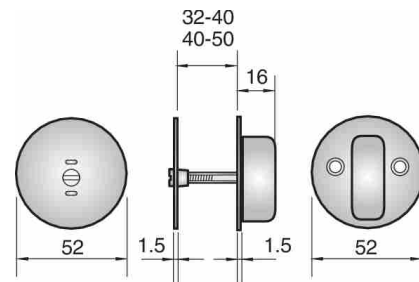
994SF blind roses

Stainless steel blind roses to cover lever handle door preparation.
Supplied with M4 fixing screws and cover caps. Suits both 30mm and 38mm fixing centres.



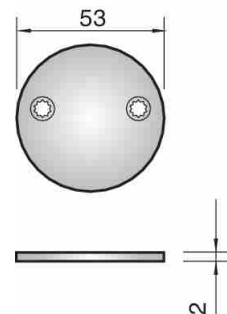
262SF toilet accessory set

Toilet accessory set for use with Euro/DIN bathroom locks. Stainless steel. Includes roses, thumbturn, red/white indicator and all fixings.
Indicator rose outside, thumbturn inside.
Also available with extended grip for use by disabled people: ref 9262SF.



995SF blind roses

Stainless steel blind roses to cover cylinder door preparation.
Supplied with M5 fixing screws. Suits 30mm fixing centres.



Accessories 3 / ScanFlex



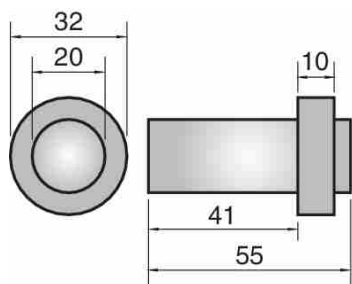
Application

Accessories to complement the ScanFlex range.



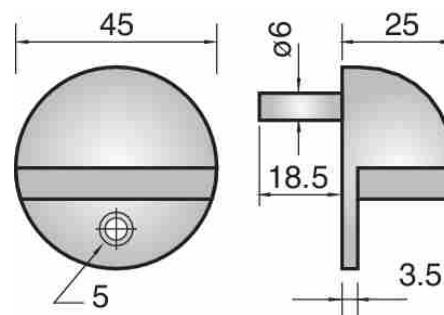
➤ 95 45 07 floor door stop

Floor door stop. Stainless steel with black rubber.



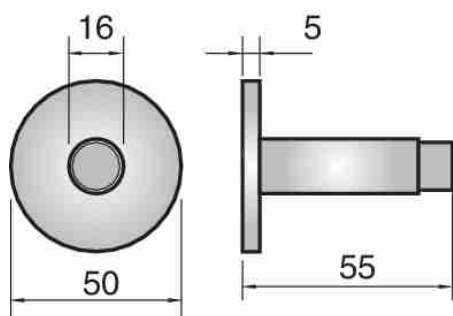
➤ 95 45 06 floor door stop

Floor door stop. Stainless steel with black rubber.



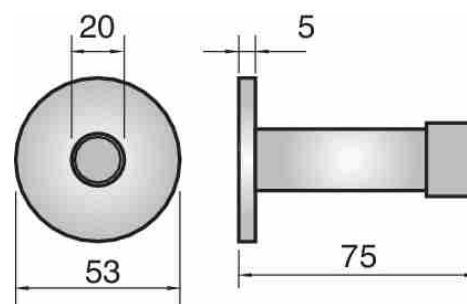
➤ 95 45 08 wall door stop

Floor door stop. Stainless steel with black rubber.



➤ 95 45 45 wall door stop

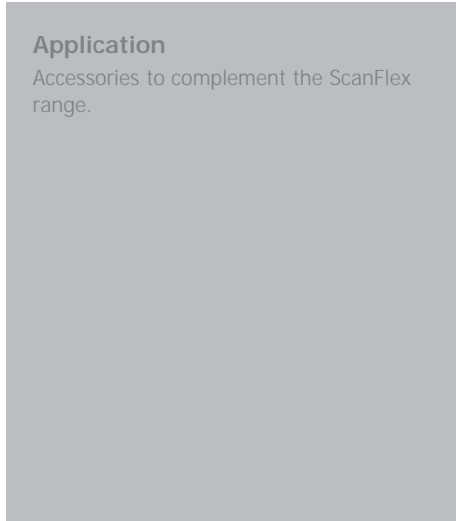
Wall door stop. Stainless steel with black rubber.





Application

Accessories to complement the ScanFlex range.

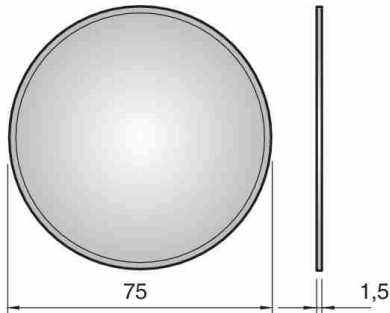


Signage

Signs and pictograms. Stainless steel, self-adhesive.

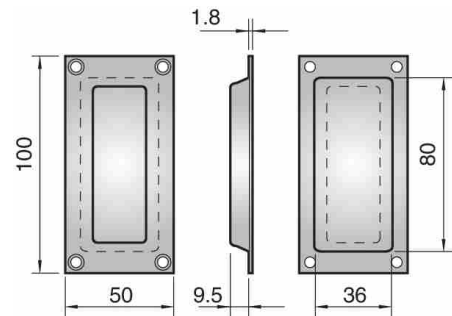
Types available:

- 'Male' symbol
- 'Female' symbol
- 'Disabled' symbol
- 'Fire door keep shut'
- 'Fire door keep locked'
- 'Automatic fire door keep clear'



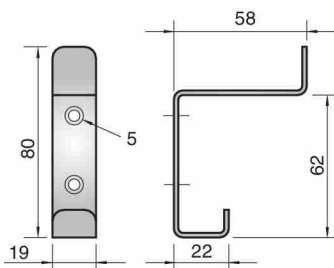
95 45 18 sliding door pull

Stainless steel flush pull handle.



95 45 17 coat hook

Stainless steel coat hook.



Signage



Sprung lever handles / ASSA Distinction



Application

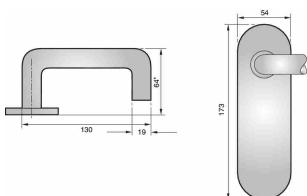
Sprung handles of brass, with backplates. For heavy and very heavy use. Suitable for ASSA Compact. All Distinction handles are double action to permit, flip-up operation with suitable locks.

For door thickness guide, finishes and lockcase compatibility chart see Door Furniture Information appendix.



NOTE: All ASSA Distinction lever handles are supplied with grub screw fixing and special splitting spindle. A half splitting spindle is also available separately for use on half sets of levers.

3350 lever handle



Solid brass base with steel backplates and bolt through fixing. Used with any of the cover plates shown.

Suitable for heavy and very heavy use.

* Projection on polished chrome versions is 59mm not 64mm.

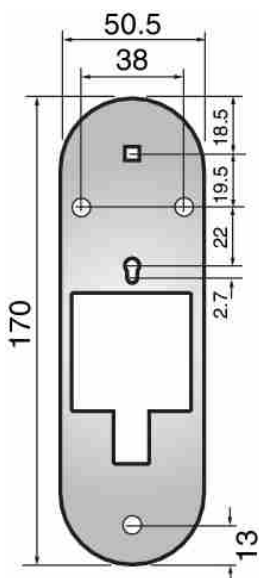
Spindles

NOTE: All ASSA Distinction lever handles are supplied with grub screw fixing and special splitting spindle. A half splitting spindle is also available separately for use on half sets of levers.



Splitting spindle Half splitting spindle

Cover plates

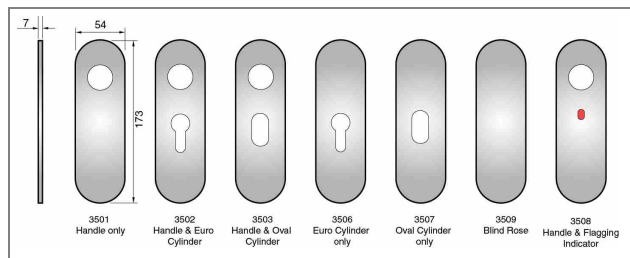


Cover plates for use with long backplate handles.

3508 is used with the 808021 internal indicator and 3350 handle (both supplied separately) on the 3020 Escape Sash Lock and 3069B Escape Deadlock.

80 80 03 backplate supplied with lever handle. One backplate should be specified separately when used with half sets of levers (in addition to blind rose or cylinder-only cover plate).

- 3501: Handle only
- 3502: Handle & Euro cylinder
- 3503: Handle & Oval cylinder
- 3506: Euro cylinder only
- 3507: Oval cylinder only
- 3509: Blind rose
- 3508: Handle & flagging indicator
- 80 80 03: Backplate



Sprung lever handles / ASSA Distinction



Application

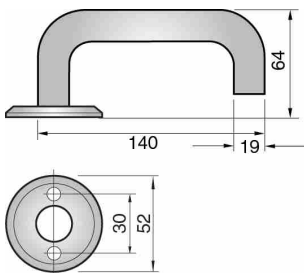
Sprung handles of tubular brass with round roses. For heavy and very heavy use. Suitable for ASSA Connect and Modular lockcases only. All Distinction handles are double action to permit, flip-up operation with suitable locks.

For door thickness guide, finishes and lockcase compatibility chart see Door Furniture Information appendix.



NOTE: All ASSA Distinction lever handles are supplied with grub screw fixing and spindle as shown below. A half spindle is also available separately for use on half sets of levers.

6655 lever handle

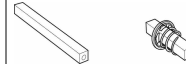


Tubular brass with captive roses and bolt through fixing.

Suitable for heavy and very heavy use.

Spindles

NOTE: All ASSA Distinction lever handles are supplied with grub screw fixing and spindle as shown below. A half spindle is also available separately for use on half sets of levers.

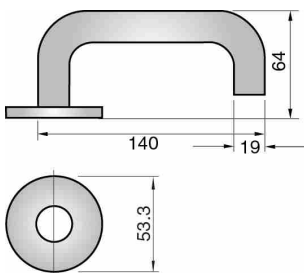


ScanFlex spindle Half split spindle

Anti-bacterial finish

The 6655 and 6655C handles can be supplied with the new Addition anti-bacterial finish, which is ideal for hospitals, food preparation areas, schools and anywhere else where hygiene is a priority. For details see Appendix.

6655C lever handle

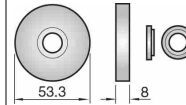


Tubular brass with captive roses and bolt through fixing. Special cover plates conceal the heads of the fixing screws and nipples, giving a more attractive appearance.

Suitable for heavy and very heavy use.

Cover caps

Pressed brass with plastic washer. Used to convert a 6655 to a 6655C.



Sprung lever handles / ASSA Distinction



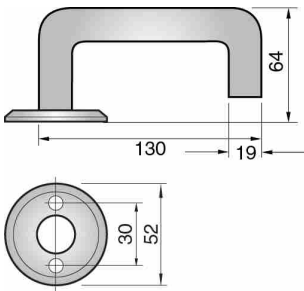
Application

Sprung handles of solid brass with round roses. For heavy and very heavy use. Suitable for ASSA Connect and Modular lockcases only. All Distinction handles are double action to permit, flip-up operation with suitable locks.

For door thickness guide, finishes and lockcase compatibility chart see Door Furniture Information appendix.



6650 lever handle

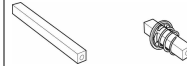


Solid brass with captive roses and bolt through fixing.

Suitable for heavy and very heavy use.

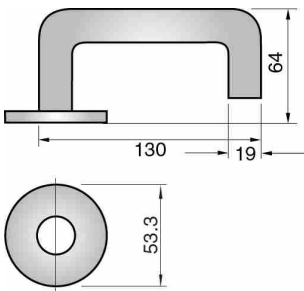
Spindles

NOTE: All ASSA Distinction lever handles are supplied with grub screw fixing and spindle as shown below. A half spindle is also available separately for use on half sets of levers.



Splitting spindle Half splitting spindle

6650C lever handle

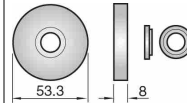


Solid brass with captive roses and bolt through fixing. Special cover plates conceal the heads of the fixing screws and nipples, giving a more attractive appearance.

Suitable for heavy and very heavy use.

Cover caps

Pressed brass with plastic washer. Used to convert a 6650 to a 6650C.



Accessories / ASSA Distinction

Application

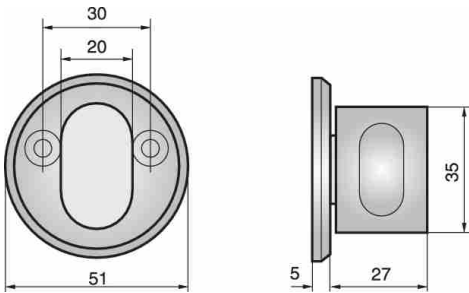
Accessories to complement the ASSA Distinction range.

For lockcase compatibility chart see Door Furniture Information appendix.



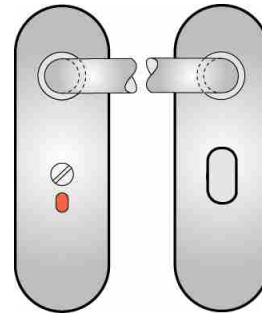
6256 thumbturn set

Thumbturn accessory set for use with ASSA Connect and Modular locks. Supplied with spindle, screws and exterior cylinder ring (sizes available: 11mm, 13mm, 16mm and 18mm).



3555T toilet indicator set

Toilet accessory set for use with ASSA Compact bathroom locks. Includes handles, backplates and cover plates, red/white indicator and turn.



Cylinder escutcheons and blind roses

Cylinder escutcheons for profile cylinders. Pressed brass, supplied with wood screws.

The Cover Caps are used with the 320 and 330 respectively to conceal the fixing screws, for a more attractive appearance.

The Blind Rose may be fitted over either escutcheon to blank off the hole when no cylinder is fitted.

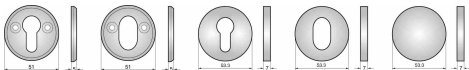
320: Escutcheon for Euro profile cylinder (pair)

330: Escutcheon for Oval profile cylinder (pair)

320C: Cover cap for Euro profile escutcheon

330C: Cover cap for Oval profile escutcheon

392: Blind rose cover cap



Sprung lever handles LBP / ASSA Classic



Application

Sprung handles of solid brass. For heavy and very heavy use. Suitable for ASSA Compact lockcases.

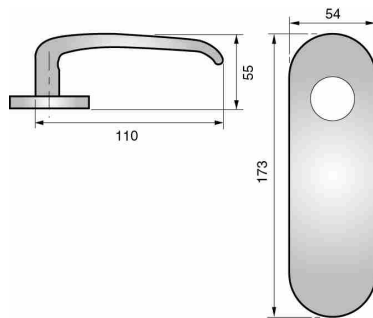
For door thickness guide, finishes and lockcase compatibility chart see Door Furniture Information appendix.



3340 lever handle

Solid brass with steel backplate, and bolt through fixing. Used with any of the cover plates shown below.

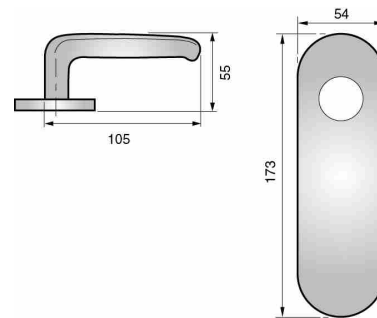
Suitable for heavy and very heavy use.



3396 lever handle

Solid brass with steel backplate, and bolt through fixing. Used with any of the cover plates shown below.

Suitable for heavy and very heavy use.



Sprung lever handles LBP / ASSA Classic



Application

Sprung handles of solid brass. For heavy and very heavy use. Suitable for ASSA Compact lockcases.

For door thickness guide, finishes and lockcase compatibility chart see Door Furniture Information appendix.

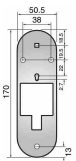
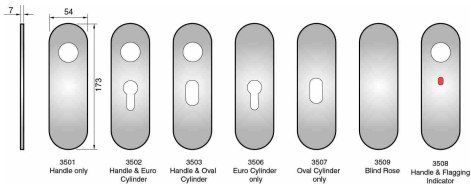


Cover plates

Cover plates for use with long backplate handles. 80 80 03 backplate supplied with lever handle.

One backplate should be specified separately when used with half sets of levers (in addition to blind rose or cylinder-only cover plate).

- 3501: Handle only
- 3502: Handle & Euro cylinder
- 3503: Handle & Oval cylinder
- 3506: Euro cylinder only
- 3507: Oval cylinder only
- 3509: Blind rose
- 80 80 03: Backplate



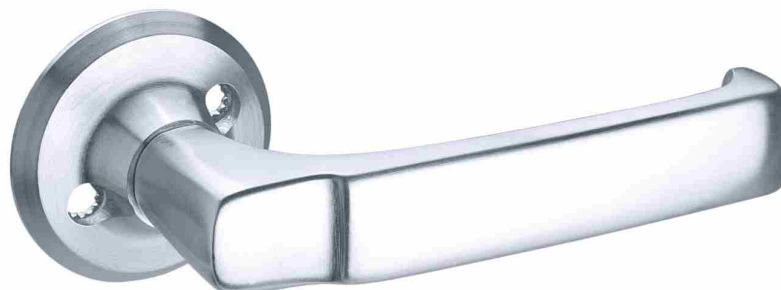
Sprung lever handles RR / ASSA Classic



Application

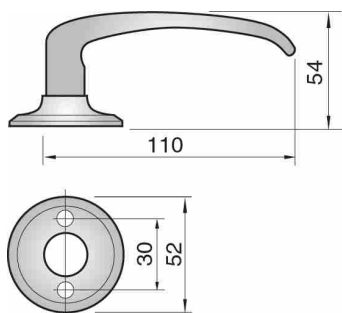
Sprung handles of solid brass. For heavy and very heavy use. Suitable for ASSA Connect, Modular and Compact lockcases only. Double action to permit, flip-up operation with suitable locks.

For door thickness guide, finishes and lockcase compatibility chart see Door Furniture Information appendix.



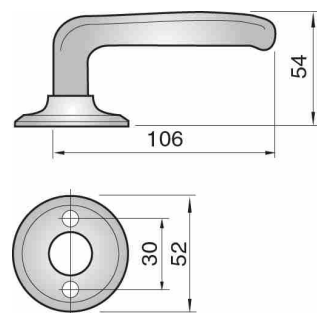
6640 lever handle

Solid brass with captive roses and bolt through fixing. Suitable for very heavy use.



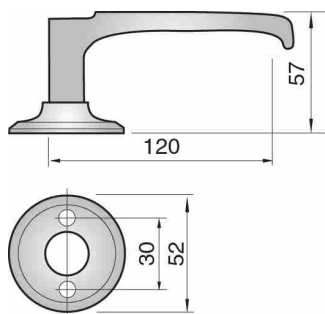
6696 lever handle

Solid brass with captive roses and bolt through fixing. Suitable for very heavy use.



6647 lever handle

Solid brass with captive roses and bolt through fixing. Suitable for heavy and very heavy use.



Unsprung lever handles 696 / ASSA Classic



Application

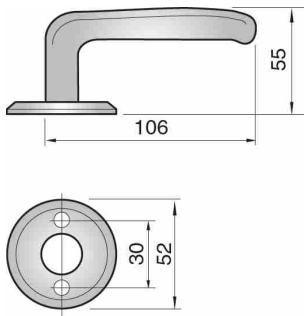
Unsprung handles of solid brass. For general and heavy use. Special cover plates may be fitted to conceal the heads of the fixing screws and nipples, giving a more attractive appearance. Suitable for ASSA and most other makes of lockcase.

For door thickness guide, finishes and lockcase compatibility chart see Door Furniture Information appendix.



696 lever handle

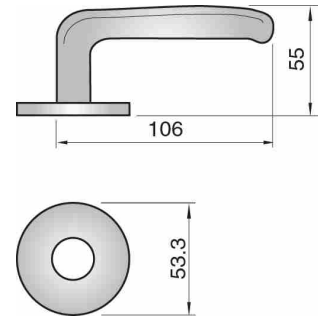
Solid brass with captive roses and bolt through fixing. Suitable for general and heavy use.



696C lever handle

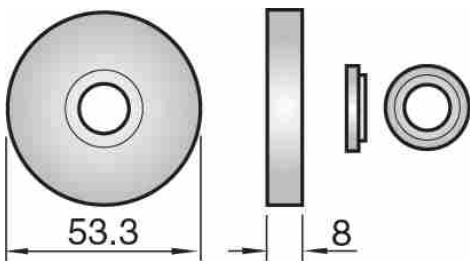
Solid brass with captive roses, concealed fixing cover caps and, bolt through fixing.

Suitable for general and heavy use.



Cover caps

Pressed brass with plastic washer. Used to convert a 696 to a 696C.



Unsprung lever handles 640 / ASSA Classic



Application

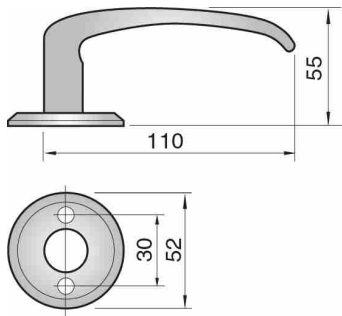
Unsprung handles of solid brass. For general and heavy use. Special cover plates may be fitted to conceal the heads of the fixing screws and nipples, giving a more attractive appearance. Suitable for ASSA and most other makes of lockcase.

For door thickness guide, finishes and lockcase compatibility chart see Door Furniture Information appendix.



640 lever handle

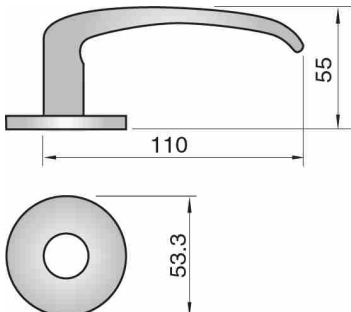
Solid brass with captive roses and bolt through fixing. Suitable for general and heavy use.



640C lever handle

Solid brass with captive roses, concealed fixing cover caps and, bolt through fixing.

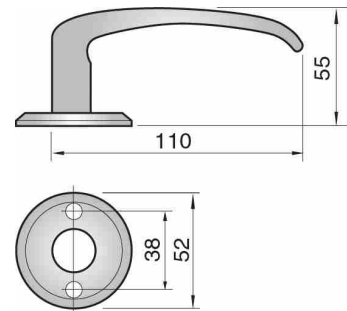
Suitable for general and heavy use.



640 DIN lever handle

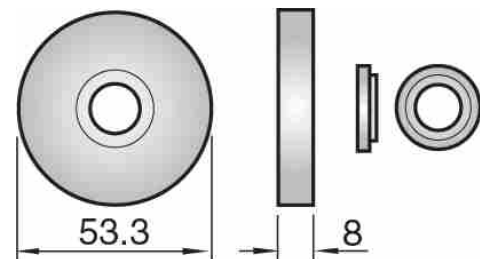
Solid brass with captive roses and bolt through fixing. Fixing centres to suit Euro style lockcases.

Suitable for general and heavy use.



Cover caps

Pressed brass with plastic washer. Used to convert a 640 to a 640C.





Application

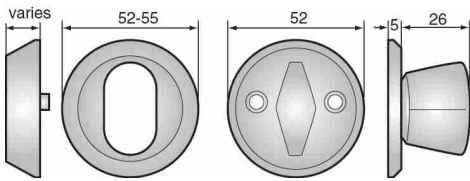
Accessories to complement the ASSA Classic range. For lockcase compatibility chart see Door Furniture Information appendix.



256 thumbturn set

Thumbturn accessory set for use with ASSA Connect and Modular locks. Supplied with spindle, screws and exterior cylinder ring.

Sizes available: 11mm, 13mm, 16mm and 18mm. Other sizes may be assembled from components by stockists.

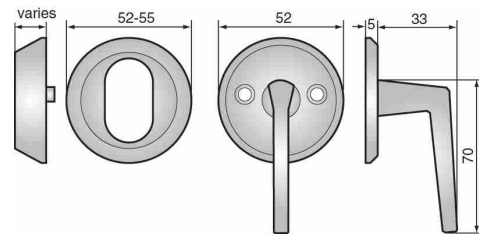


9256 thumbturn set

Thumbturn accessory sets for use with ASSA Connect and Modular locks.

Particularly suitable for use by disabled people. Supplied with spindle, screws and exterior cylinder ring.

Sizes available: 11mm, 13mm, 16mm and 18mm. Other sizes may be assembled from components by stockists.

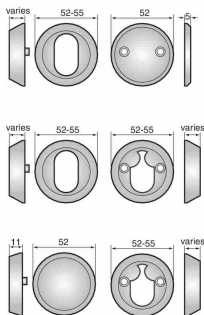


Accessory sets for Connect & Modular locks

Cylinder accessory sets for use with ASSA Connect and Modular locks. Supplied with all necessary fittings.

Sizes available: 11mm, 13mm, 16mm and 18mm. Other sizes may be assembled from components by stockists.

- 2356:** Cylinder ring outside, blind rose inside
- 18256:** Cylinder ring outside, cylinder ring inside
- 2256:** Blind rose outside, cylinder ring inside



Accessories / ASSA Classic



Application

Accessories to complement the ASSA Classic range.

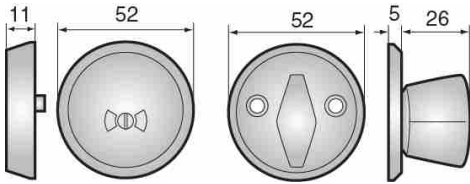
For lockcase compatibility chart see Door Furniture Information appendix.



265 toilet accessory set

Toilet accessory set for use with ASSA Connect and Modular bathroom locks. Includes roses, thumbturn, red/white indicator and all fixings.

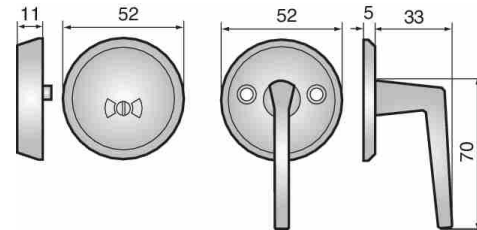
See also the Lockcases section.



9265 toilet accessory set

Toilet accessory set for use with ASSA Connect and Modular bathroom locks particularly suitable for use by disabled people. Includes roses, thumbturn, red/white indicator and all fixings.

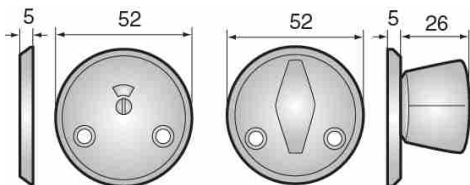
See also the Lockcases section.



263 toilet accessory set

Toilet accessory set for use with ASSA Compact bathroom locks. Includes roses, thumbturn, red/white indicator and all fixings.

See also the Lockcases section.



Unsprung lever handles / ASSA Aluminium



Application

Unsprung handles of aluminium, with round roses. For general use. Suitable for ASSA and most other makes of lockcase. The safety return is particularly suitable for use by disabled people, as recommended in BS 8300.

For door thickness guide, finishes and lockcase compatibility chart see Door Furniture Information appendix.



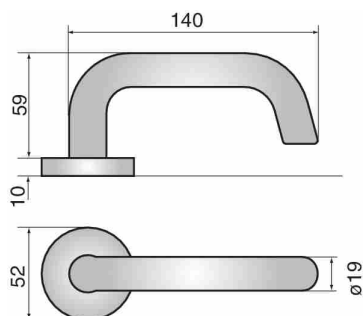
The ASSA Aluminium range is also available with a special anti-microbial coating, designed to restrict the spread of bacteria and other dangerous micro-organisms. See appendix for further information.

↘ 1325 lever handle

Aluminium with captive roses and bolt through fixing.

Roses prepared with both 30mm and 38mm fixing centres. Cover caps for concealed fixing included as standard.

Suitable for general use.





Application

Accessories to complement the ASSA Aluminium range. For lockcase compatibility chart see Door Furniture Information appendix.

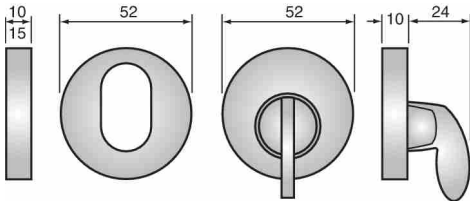


256BZ thumbturn set

Thumbturn accessory set for use with ASSA Connect and Modular locks.
Note: only suitable for locks with 90° turn function (not 360°).

Supplied with 5mm spindle and adaptor, screws and exterior cylinder ring.

Sizes available: 10mm, 15mm.



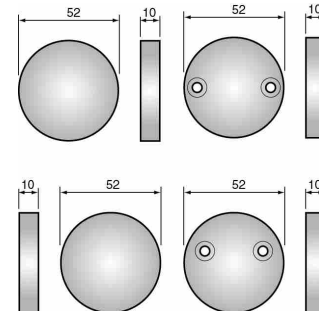
Blind roses

Blind roses to cover door preparation.

990BZ: For use with half sets of handles.

992BZ: In lieu of handle. Supplied in pairs with wood screws.

4256BZ: Pair of bolt-through roses in lieu of cylinder for use with Connect and Modular locks.



Accessory sets for Connect & Modular locks

Cylinder accessory sets for use with ASSA Connect and Modular locks.

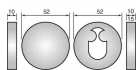
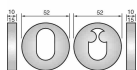
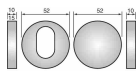
Supplied with all necessary fittings.

Sizes available: 10mm, 15mm.

2356BZ: Cylinder ring outside, blind rose inside

18256BZ: Cylinder ring outside, cylinder ring inside

2256BZ: Blind rose outside, cylinder ring inside



Accessories / ASSA Aluminium



Application

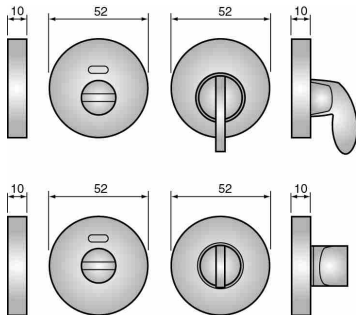
Accessories to complement the ASSA Aluminium range. For lockcase compatibility chart see Door Furniture Information appendix.



↘ Toilet accessories

Toilet accessory sets for use with bathroom locks. Supplied with screws and fixings.

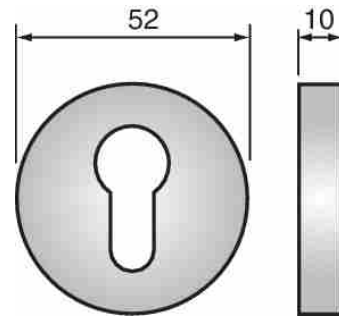
- 265BZ** - For use with Connect and Modular bathroom locks.
- 262BZ** - For use with Euro bathroom locks.



↘ 320BZ escutcheons

Cylinder escutcheons for Euro Profile cylinders. Feature concealed fixing as standard.

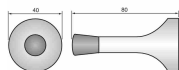
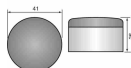
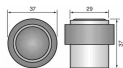
Supplied with wood screws.



↘ Door stops

Door stops. Aluminium with black rubber.

- 3737**: Floor mounted door stop
- 4126**: Wall mounted door stop
- 4080**: Wall mounted door stop



Fingerguards / ASSA Aluminium



Application

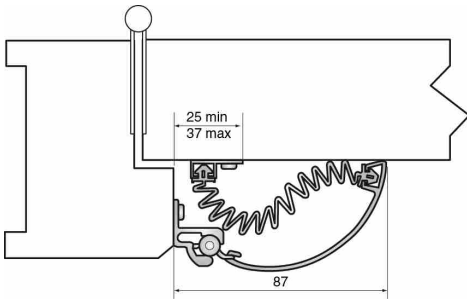
Protective shields designed to prevent accidental injury to fingers which otherwise could be trapped in a closing door. Particularly recommended for areas used by small children such as schools and nurseries.



7012F stop side protection

Protects the closing face (stop side) of the door. Includes a folding gasket made from fire resistant M1 Chloroprene, covered by an attractive aluminium profile.

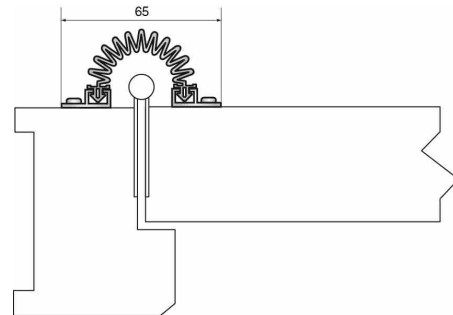
Available in 1400mm and 2050mm heights.



7020C hinge side protection

Protects the opening face (hinge side) of the door. Includes a folding gasket made from fire resistant M1 Chloroprene secured to the door and frame.

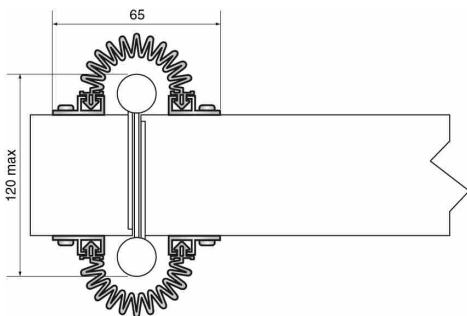
Available in 1400mm and 2050mm heights.



7025 protection for double action doors

Protects each face of a door fitted with double-action hinges. Includes folding gaskets made from fire resistant M1 Chloroprene secured to the door and frame.

Available in 2250mm height only.



Accessories / Miscellaneous and accessories



Application

Miscellaneous accessories.

For door thickness guide and finishes see Door Furniture Information appendix.



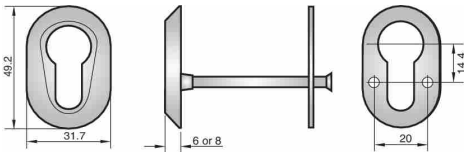
Security escutcheons

Security escutcheons of hardened steel to suit Euro Profile cylinders.

Available in two sizes:

10 07 07: 6mm

12 00 25: 8mm



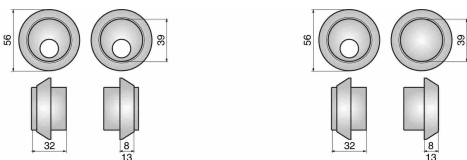
Accessory sets for Scandinavian Round cylinders

Cylinder accessory sets for use with Scandinavian Round cylinders and ASSA Connect and Modular locks. Supplied with all necessary fittings.

Sizes available: 8mm, 13mm.

3212: Cylinder ring outside, cylinder ring inside

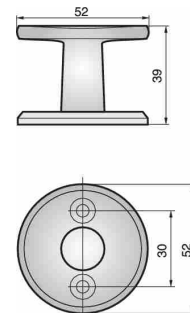
3212B: Cylinder ring outside, blind rose inside



496 dead knob

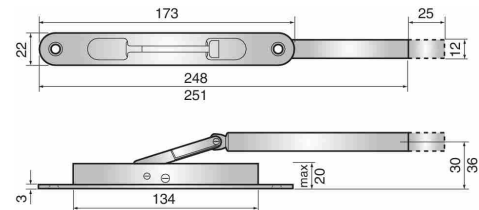
Pull knob of die-cast brass.

Fixed with through-going M4 screws which reinforce the door and simplify mounting.



1296 flushbolt

Manual flush bolt for securing the passive leaf of timber, steel or aluminium double doors. 12mm diameter steel bolt with 25mm throw. Adjustable dimension from front of faceplate to centreline of bolt is 30 - 36mm.



Narrow profile accessories / Miscellaneous and accessories



Application

Narrow profile accessories for use with Connect 35mm backset lockcases.



↘ S4 accessory sets

Cylinder and handle accessory sets for use with ASSA Connect locks with 35mm backset. Chrome plated zinc. Supplied with screws and fittings.

Note: used with Scandinavian Oval Rim cylinders with tailpieces (but without sleeves). For double cylinder applications use two single rim cylinders.

For use with 6-pin cylinder ranges (4800, Combi, dp) only.

S4 cover plate also available to cover door preparation when replacing a 28mm backset lock with an Connect 35mm backset lock.

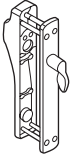
↘ High security accessory sets

High security cylinder accessory sets for use with ASSA locks with 35mm backset. Chrome plated steel. Supplied with all necessary fittings. Used with standard Scandinavian Oval internal, external or double cylinders.

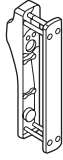
Available with 2mm and 4mm distance plates to suit different door thicknesses.

Narrow profile accessories

↘ S4 accessory sets



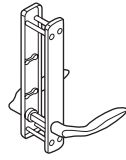
44859E
Cylinder ring
outside,
thumbturn
inside



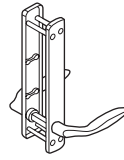
44159E
Cylinder ring
outside,
blind rose
inside



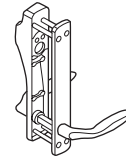
44459E
Cylinder ring
outside,
cylinder ring
inside



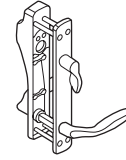
55059E
Handle outside,
handle inside



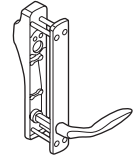
55159E
Cylinder ring &
handle outside,
handle inside



55459E
Cylinder ring &
handle outside,
cylinder ring &
handle inside

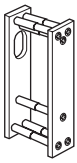


55859E
Cylinder ring &
handle outside,
thumbturn &
handle inside



23699E
Cylinder ring
outside,
handle inside

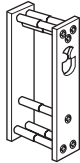
↘ High security accessory sets



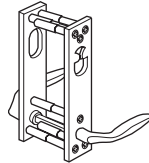
4659E
Cylinder ring
outside,
blind rose
inside



4559E
Cylinder ring
outside,
cylinder ring
inside



4759E
Blind rose
outside,
cylinder ring
inside



5559E
Cylinder ring
outside,
cylinder ring &
handle inside

Clutch thumbturns / Miscellaneous and accessories

Application

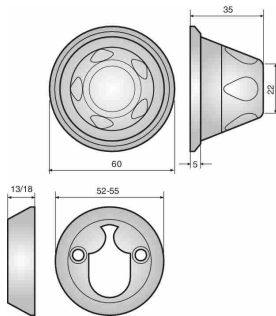
Designed for use on individual bedrooms or bathrooms within mental health secure accommodation, young offenders units, etc. Permit clients to lock the door for privacy, while allowing authorised staff to gain entry. Avoids the problem with conventional thumbturns where clients can prevent the door being unlocked by gripping the internal turn.

Available in satin chrome finish.



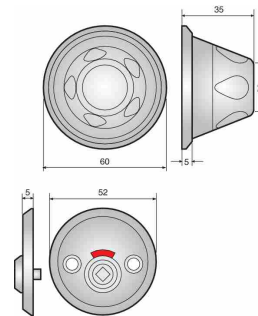
DC256 clutch thumbturn

Clutch thumbturn. Includes cylinder ring supplied in two sizes, 13mm and 18mm. Rounded design to minimise risk of injury and prevent the attachment of ligatures. May be used to operate the lock normally. However, if the thumbturn is gripped to prevent the door being unlocked, the internal sprung clutch mechanism will release allowing a key to turn in the cylinder and operate the lock.



DC265 clutch thumbturn toilet version

Clutch thumbturn for use on bathroom doors. Includes external red/white indicator with emergency device. Rounded design to minimise risk of injury and prevent the attachment of ligatures. May be used to operate the lock normally. However, if the thumbturn is gripped to prevent the door being unlocked, the internal sprung clutch mechanism will release allowing the door to be opened from outside using an emergency key (supplied separately).



Clutch thumbturns

↳ DC256 clutch thumbturn

Used with	Exterior		Interior
310 313 765 766	Key operates deadbolt and latchbolt. Lever handle retracts latchbolt. Holding the internal turn does not prevent the door being opened.		Turn operates deadbolt. Lever handle or knob retracts latchbolt.
311 2788 2587	Key operates deadbolt. Holding the internal turn does not prevent the door being opened.		Turn operates deadbolt.

For use with ASSA Connect lockcases 310, 311 and 313, and ASSA Modular lockcases 765, 766, 2587 and 2788. Requires internal cylinder (R503, FP503, 4803, C5803, 4403) fitted externally, allowing the lock to be dismantled from outside in case of emergency. If used with 5-pin or Flexcore cylinders 43mm cylinder screws should be specified separately.


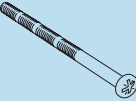

↳ DC265 clutch thumbturn – toilet version



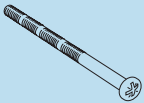
Used with	Exterior		Interior	
310 313 765 766	Indicator rose with emergency device. Lever handle retracts latchbolt only. Holding the internal turn does not prevent the door being opened.		Turn operates deadbolt. Lever handle or knob retracts latchbolt.	
311 2788 2587	Indicator rose with emergency device. Holding the internal turn does not prevent the door being opened.		Turn operates deadbolt.	Emergency key

For use with ASSA Connect lockcases 310, 311 and 313, and ASSA Modular lockcases 765, 766, 2587 and 2788.

Handle accessories

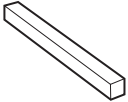
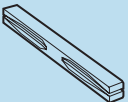
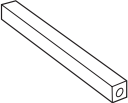
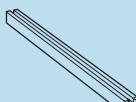
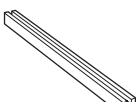


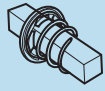
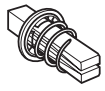
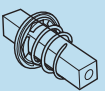
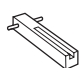
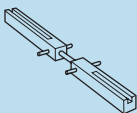
Product	Reference	Description	For use with
	992 blind roses (47 01 29)	In lieu of handle. Pair of blind roses with screws and nipples	Half sets of handles
	79 31 80 Fixing screw	M5 brass screw. Standard sizes: 65mm, 130mm. Requires 5mm nipple	Handles and accessory sets
	10 00 18 Anti- vandal screw (75mm)	M5 brass screw. Requires special fixing tool for removal	Handles and accessory sets

Product	Reference	Description	For use with
	40 93 98 11mm blind rose (Outside)	In lieu of handle. Has two off-centre lugs for fixing screws	Half sets of handles
	80 29 76 5mm nipples	Fixing nipple for use with M5 screw	Handles and accessory sets
	M4 fixing screw	M4 brass screw. Size (ref): 88.5mm (47 02 50)	496 deadknob

Spindles



Product	Reference	Description	For use with
	Spindle	8mm Square Spindle. Sizes available (ref): 80mm (47 08 29) 102mm (80 68 76) Std 125mm (47 11 23)	ASSA Classic handles
	Splitting spindle	8mm Square Splitting Spindle. Sizes available (ref): 80mm (10 23 67) 90mm (10 24 79) Std 125mm (10 23 69)	ASSA Distinction 6650 & 3350 handles
	Spindle with 2 holes	8mm Square Spindle. Sizes available (ref): 90mm (10 29 00) 110mm (10 29 01) 120mm (10 29 02)	ASSA Aluminium handles
	ScanFlex spindle	8mm Square Spindle. Sizes available (ref): 32-65mm door (95 41 47) 65-100mm door (95 41 48)	ScanFlex and Distinction 6655 handles
	Ruko-Line spindle	8mm Square Spindle. Sizes available (ref): 32-60mm (95 19 08) 60-85mm (95 19 09) 85-110mm (95 19 10)	Ruko-Line handles

Product	Reference	Description	For use with
	Split spindle	8mm Square Half Spindle. Sizes available (ref): 43mm (80 50 73) Std 53mm (80 50 74) 63mm (80 50 77)	ASSA Classic handles with split follower locks
	Half splitting spindle	8mm Square 1/2 Splitting Spindle. Sizes available (ref): 43mm (10 23 64) 53mm (10 23 65) 63mm (10 23 66)	ASSA Distinction 6650 & 3350 handles with split follower locks
	Split spindle with hole	8mm Square Half Spindle. Size available (ref): 43mm (10 28 89)	ASSA Aluminium handles with split follower locks
	RL/SF Half split spindle	8mm square Half Split Spindle Sizes available (ref): 32-60mm (95 19 65) 60-85mm (95 19 66) 85-110mm (95 19 67)	ScanFlex, 6655 and Ruko-Line handles with split follower locks
	RL/SF Connecting spindle for very heavy traffic doors.	8mm square x 124mm Sizes available (ref): 32-60mm (95 19 68) 60-85mm (95 19 69) 85-110mm (95 19 70)	ScanFlex, 6655 and Ruko-Line handles with split follower locks

Spindle	Standard mechanical lockcases					
	Ruko-Line	ScanFlex	Distinction	Dist. 6655	Classic	Aluminium
Spindle					✓	
Splitting spindle			✓			
Spindle with 2 holes						✓
ScanFlex spindle		✓		✓		
Ruko-Line spindle	✓					

Spindle	Split follower mechanical lockcases					
	Ruko-Line	ScanFlex	Distinction	Dist. 6655	Classic	Aluminium
Split spindle					✓	
Half splitting spindle			✓			
Split spindle with hole						✓
RL/SF half split spindle	✓	✓		✓		
RL/SF connecting spindle	✓	✓		✓		

Aluminium accessories



Product	Reference	Description	For use with
	256BZ	Outside cylinder ring. Inside thumbturn. Sizes: 10mm, 15mm Includes 5mm spindle and adaptor.	Connect, Modular and Small Case locks with 90° turn
	18256BZ	Outside cylinder ring. Inside cylinder ring. Sizes: 10mm, 15mm	Connect, Modular and Small Case locks
	4256BZ	Outside blind rose. Inside blind rose.	Connect, Modular and Small Case locks
	990BZ	Blind rose. In lieu of handle.	Half sets of handles

Product	Reference	Description	For use with
	2356BZ	Outside cylinder ring. Inside blind rose. Sizes: 10mm, 15mm	Connect, Modular and Small Case locks
	2256BZ	Outside blind rose. Inside cylinder ring Sizes: 10mm, 15mm	Connect, Modular and Small Case locks
	320BZ	Euro cylinder escutcheons.	Euro profile cylinders
	992BZ	Blind roses (pair) In lieu of handle. With wood screws.	Half sets of handles

For aluminium toilet accessories see Toilet Accessories section.

Stainless steel accessories



Product	Reference	Description	For use with
	Ruko-Line external cylinder ring	Sizes available (mm): 6, 8, 11, 13, 16, 18, 21.	256RL, 2356RL, 18256RL, 9256RL
	ScanFlex external cylinder ring	Sizes available (mm): 6, 8, 11, 13, 16, 18, 21, 24.	256SF, 2356SF, 18256SF, 9256SF
	95 15 25 Ruko-Line thumbturn	Thumbturn with cylinder screws and follower.	256RL
	95 40 18 ScanFlex thumbturn	Thumbturn with cylinder screws and follower.	256SF
	ScanFlex machine screw M8	Sizes available (mm): 65mm (10 41 72) 110mm (10 41 73)	ScanFlex pull handles (bolt-through fixing with finger plate)

Product	Reference	Description	For use with
	Ruko-Line internal cylinder ring	Sizes available (mm): 6, 8, 11, 13, 16, 18, 21.	18256RL, 2256RL
	ScanFlex internal cylinder ring	Sizes available (mm): 6, 8, 11, 13, 16, 18, 21.	18256SF, 2256SF
	95 15 26 Ruko-Line disabled thumbturn	Thumbturn with cylinder screws and follower.	9256RL
	Ruko-Line machine screw M6	Sizes available (mm): 65mm (10 41 70) 110mm (10 41 71)	Ruko-Line 300mm pull handles (bolt-through fixing with finger plate)
	Ruko-Line machine screws M10	Sizes available (mm): 65mm (10 41 74) 110mm (10 41 75)	Ruko-Line 450/650mm pull handles (bolt-through fixing with finger plate)

Cylinder accessories


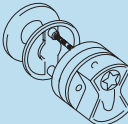




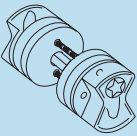



Product	Reference	Description	For use with
	256	Outside cylinder ring. Inside thumbturn. Sizes: 11mm, 13mm, 16mm, 18mm	Connect, Modular and Small Case locks
	18256	Outside cylinder ring. Inside cylinder ring. Sizes: 11mm, 13mm, 16mm, 18mm	Connect, Modular and Small Case locks
	9256	Outside cylinder ring. Inside thumbturn for disabled people. Sizes: 11mm, 13mm, 16mm, 18mm	Connect, Modular and Small Case locks
	4859	Outside cylinder ring. Inside thumbturn. Sizes: 12mm, 16mm, 20mm	Special purpose narrow profile locks
	4459	Outside cylinder ring. Inside cylinder ring. Sizes: 12mm, 16mm, 20mm	Special purpose narrow profile locks
	44159E (81 69 31)	Outside cylinder ring. Inside blind rose.	Connect 35mm locks (requires external Scan. Oval rim cylinder)
	44459E (81 69 32)	Outside cylinder ring. Inside cylinder ring.	Connect 35mm locks (requires two external Scan. Oval rim cylinders)
	4659E SCD (81 69 47)	High security. Outside cylinder ring. Inside blind rose.	Connect 35mm locks To suit door thickness 65mm
	4759E SCD (81 69 48)	High security. Outside blind rose. Inside cylinder ring.	Connect 35mm locks To suit door thickness 65mm
	4256 (35 44 06)	Accessory plate	2000 3-point special sash lock

Product	Reference	Description	For use with
	2356	Outside cylinder ring. Inside blind rose. Sizes: 11mm, 13mm, 16mm, 18mm	Connect, Modular and Small Case locks
	2256	Outside blind rose. Inside cylinder ring. Sizes: 11mm, 13mm, 16mm, 18mm	Connect, Modular and Small Case locks
	4159	Outside cylinder ring. Inside blind rose. Sizes: 12mm, 16mm, 20mm	Special purpose narrow profile locks
	4359	Outside blind rose. Inside cylinder ring. Sizes: 12mm, 16mm, 20mm	Special purpose narrow profile locks
	44859E (81 69 33)	Outside cylinder ring. Inside thumbturn.	Connect 35mm locks (requires external Scan. Oval rim cylinder)
	55859E (81 69 39)	Outside cylinder ring and handle. Inside thumbturn and handle.	Connect 35mm locks (requires external Scan. Oval rim cylinder)
	5559E SCD (81 69 59)	High security. Outside cylinder ring and handle. Inside cylinder ring and handle.	Connect 35mm locks To suit door thickness 65mm
	4559E SCD (81 69 46)	High security. Outside cylinder ring. Inside cylinder ring.	Connect 35mm locks To suit door thickness 65mm
	Distance Plates	Sizes available: 2mm (81 69 51) 4mm (81 69 52)	Fitted beneath SCD high security accessories on doors of less than 65mm thickness
	4356 (35 44 64)	Accessory plate with thumbturn	2000 3-point special sash lock

Emergency accessories



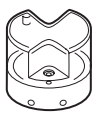
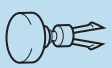

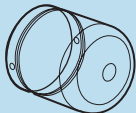
Product	Reference	Description	For use with
	8560 (35 23 66)	Outside blind rose. Inside emergency thumbturn with plastic dome.	Emergency variations: 1, 7, 8, 13, 21, 24
	8560 & knob (35 23 68)	Outside dead knob. Inside emergency thumbturn with plastic dome.	Emergency variations: 2, 11, 12, 23
	Half set of handles 20A (81 58 50)	Outside blind rose. Inside 640 lever handle.	Emergency variations: 20A (and 13, 24 without rose)
	8061 (80 73 22)	Inside emergency thumbturn with plastic dome.	Scandinavian Oval cylinders





Product	Reference	Description	For use with
	8560 double (35 23 67)	Outside and inside: emergency thumbturn with plastic dome.	Emergency variations: 3, 9, 10, 22
	8561 (45 35 74)	Outside dead knob. Inside lever handle.	Emergency variation: 20
	Half set of handles 20B	Outside blind rose. Inside 6650 return lever handle. RH Out: 104 22 55 LH Out: 104 22 65	Emergency variations: 20B (and 13, 24 without rose)
	8065 (82 01 83)	Inside emergency thumbturn with plastic dome. Used with external cylinder.	Scandinavian Round cylinders

Note: to specify complete emergency locks use the lockcase reference, cylinder reference and Variation number – see Lockcase Section for details.

Emergency plastic domes



Product	Reference	Description	For use with
	8560 plastic dome (complete) (35 23 60)	Two-piece plastic dome with connecting chain and breakpins.	8560 emergency accessory set.
	80 63 26 Breakpin	Breakable plastic pin with waist	8560 and 8563 plastic domes.
	35 23 38 Plastic dome – outer part only	Transparent outer part of plastic dome. (Spare part.)	8560 plastic dome.
	8060/8061/ 8065 plastic dome (41 79 84)	Breakable plastic dome.	8060, 8061 and 8065 emergency accessory sets.

Product	Reference	Description	For use with
	8563 plastic dome (complete) (35 23 59)	Two-piece plastic dome with connecting chain and breakpins.	8563 emergency accessory set.
	80 69 28 Chain for emergency dome	Used to connect the removable outer part of the dome to the inner section. (Spare part.)	8560 and 8563 plastic domes.
	8563 plastic dome – outer part only (35 23 37)	Green outer part of plastic dome. (Spare part.)	8563 plastic dome.
	46 77 64 Emergency turn spring	Replacement spring for emergency accessories.	8560, 8563

Accessory components



Product	Reference	Description	For use with
	External cylinder ring	Sizes available (mm): 6, 8, 11, 13, 16, 18, 21, 24.	256, 2356, 18256, 9256
	40 93 98 11mm blind rose (outside)	In lieu of cylinder.	2256
	41 16 52 thumbturn	Thumbturn without spindle.	256
	80 39 92 thumbturn	Narrow profile thumbturn without spindle.	4859
	External cylinder ring (narrow profile)	Sizes available : 12mm (46 88 76) 16mm (46 88 78) 20mm (46 88 80)	4859, 4159, 4459
	35 17 54 External blind rose (narrow profile)	In lieu of cylinder.	4359
	Turn screw	M5 brass screw. Sizes available (mm): 50, 55, 60, 65 (standard), 70, 75, 80, 90, 130.	Accessory sets and handles
	46 87 81 One-way screw	Hardened steel screw. May not be removed once fitted. Size available: 95mm.	Accessory sets and handles
	80 29 76 Nipple	M5 fixing nipple for use with turn screws.	Accessory sets and handles
	46 75 67 Washer	Plate for fastening external cylinder.	2356
	Extension piece	Extends cylinder length for use on thicker doors. Sizes available (mm): 8, 10, 12.5, 18	

Product	Reference	Description	For use with
	Internal cylinder ring	Sizes available (mm): 6, 8, 11, 13, 16, 18, 21, 24.	18256, 2256
	41 61 15 blind rose	In lieu of thumbturn.	2356
	80 55 89 thumbturn for disabled people	Easy-action thumbturn without spindle.	9256
	Thumbturn follower with spindle.	Sizes available: 43mm (46 79 32) 63mm (46 84 36) 83mm (46 84 37) (43mm standard)	256, 9256, 4859
	Internal cylinder ring (narrow profile)	Sizes available : 12mm (35 16 48) 16mm (35 16 52) 20mm (35 16 56)	4459, 4359
	35 17 53 Internal blind rose (narrow profile)	In lieu of thumbturn.	4159
	10 00 18 Anti-vandal screw	M5 brass screw. May only be removed with special tool. Size available: 75mm.	Accessory sets and handles
	Cylinder screw	Hardened steel. Sizes available (mm): 28, 38, 43, 53, 58, 63, 65, 68, 78 and 125.	
	80 22 52 Nut plate with nuts	Plate for fastening internal cylinder, plus nuts for screws (cylinder screws not included).	2256
	565T turn follower (46 79 39)	Plastic washer for use with 5mm square thumbturn/indicator spindles	565T
	Cylinder sleeves; 507 (5-pin) 707 (Other)	Sleeves for Scandinavian Oval Rim cylinders 507 (46 49 79) 707 (46 49 80)	ASSA rim locks and cupboard locks

Accessory components



Product	Reference	Description	For use with
	4291	Decorative long plates (for use with 4292 only).	Connect and Modular locks.
	4289	Decorative long plates (for use with 4290 only).	Small case locks.
	46 88 66 cover plate	Used to cover door preparation when retrofitting ASSA cylinders.	Modular accessory sets.
	570 cover plate	Used to cover door preparation when retrofitting ASSA cylinders.	Scandinavian Oval shape rim cylinders.
	Lock Shield	Hardened steel plates to protect lockcase. Size/Ref: 35 95 75 (35mm) 36 03 53 (50mm) 36 07 60 (70mm)	Connect locks with Scandinavian Oval cylinders
	Compact anti-drill plates (Euro profile cylinders)	Hardened steel plates to protect lockcase.	Compact locks
	8788 drill-resistant cover (80 34 45)	Hardened steel plates to protect lockcase.	Small case locks
	81/15 latchbolt switch (51 00 10)	Microswitch to monitor latchbolt engagement. Maximum 2A.	Locks with 14mm latchbolt throw
	3112 (12mm) 3119 (19mm) 3125 (25mm)	Rebate kits for Compact 3000 nightlatches. Supplied as components.	3084, 3085, 3061, 3062, 3059 with round faceplates.
	7012 (12mm) 7019 (19mm) 7025 (25mm)	Rebate kits for Modular locks.	Modular locks.
	35 18 28 Rim cover case	Enables mortice locks to be rim mounted.	Modular locks with 50mm backset.

Product	Reference	Description	For use with
	4292	Security plates (for use with 4291).	Connect and Modular locks.
	4290	Security plates (for use with 4289).	Small case locks.
	22M (47 03 81)	Keyhole escutcheon set for lever locks.	40C, 2020
	80 41 85 Key cassette	Black plastic key grip.	ASSA keys
	Lock Shield	Hardened steel plates to protect lockcase. Size/Ref: 36 07 18 (50mm) 36 07 16 (70mm)	Modular locks with Scandinavian Oval cylinders
	Compact anti-drill plates (Oval profile cylinders)	Hardened steel plates to protect lockcase.	Compact locks
	Security escutcheon	Hardened steel cylinder escutcheon with bolt-through fixing. Sizes available: 6mm (10 07 07) 8mm (12 00 25)	Compact locks with Euro profile cylinders
	81/20 deadbolt switch (51 00 11)	Microswitch to monitor deadbolt engagement. Maximum 2A.	Locks with 20mm deadbolt throw
	3212 (12mm) 3219 (19mm) 3225 (25mm)	Rebate kits for other Compact 3000 locks. Supplied as components.	3065, 3088, 3098, 3055T, 3020, 3069 with round faceplates.
	8012 (12mm) 8019 (19mm) 8025 (25mm)	Rebate kits for Connect locks.	Connect locks.
	Follower for flip-up handle	RH Out: 80 20 10 LH Out: 80 20 09	9565T, 9566T-1

Accessory components



Product	Reference	Description	For use with
	81 38 24 O-ring for handle screws	Prevents screws working loose due to thermal expansion and contraction.	Handle fixing screws
	Cylinder ring for Scandinavian Round cylinders	Sizes available: 8mm (81 13 23) 13mm (80 23 59)	3212, 3212B
	80 23 58 Security plugs	For Scandinavian Round cylinders.	3212, 3212B
	80 23 57 Cylinder sleeve	For Scandinavian Round cylinders.	3212, 3212B
	10 40 65 Spring cassette	Adds stability to handle fitting on doors over 54mm thick.	Unsprung lever handles used with ASSA Connect lockcases

Product	Reference	Description	For use with
	794 00 00 Handle follower plug	Prevents screws working loose due to heavy traffic or abuse of the door.	Handle fixing screws (M4 only)
	High security screws for Scandinavian Round cylinders	Sizes available (mm): 60, 70, 80, 90, 100, 110.	3212, 3212B
	116 blind cylinder (35 33 81)	In lieu of cylinder on external side of door.	3212B
	81 37 39 Blind cylinder sleeve	For Scandinavian Round cylinders.	3212B

Toilet accessories



Product	Reference	Description	For use with
	265	Outside indicator rose, inside thumbturn. Used to make up 565T toilet lock.	310 (Connect) 765 (Modular)
	263	Outside indicator rose, inside thumbturn.	3055T 2020T
	9265	Outside indicator rose, inside disabled thumbturn.	310 (Connect) 765 (Modular)
	9565T	Outside indicator rose and lever handle, inside flip-up handle.	310 (Connect) 765 (Modular)

Product	Reference	Description	For use with
	3555T	Outside indicator and lever handle, inside thumbturn and lever handle.	3055T
	265BZ	Outside indicator rose, inside thumbturn. Aluminium.	310 (Connect) 765 (Modular)
	262BZ	Outside indicator rose, inside thumbturn. 5mm spindle. Aluminium.	Euro / DIN locks
	9566T-1	Outside indicator rose, inside flip-up handle. (Used with 20B accessory on 310/765.)	310, 311 (Connect) 765, 2788 (Modular)

See also main product pages.

Compatibility chart

The chart below shows the locks which may be used with particular handles.

	ASSA Connect and ASSA Modular															D450					ASSA Compact																	
	765	8765	1498	8760	8764	8759	8761	8762	760	762	1760	500/4	500/9	1520	2000	766	5765	5498	565T	310T	3-pt	D455	D452	D453	Esc Nightlatch	Esc Sash Lock	3065	3098	3055T	3059	3061	3062	3020	3069	3069B			
Brighthandle	✓														✓						✓																	
Ruko-Line	Round rose	✓	✓	✓	✓	✓	✓	✓	✓	✓	✓	✓	✓	✓	✓	✓	✓	✓	✓	✓	✓							✓	✓	✓	✓	✓	✓	✓	✓	✓	✓	
	Backplate	✓	✓	✓	✓	✓	✓	✓	✓	✓	✓	✓	✓	✓	✓	✓	✓	✓	✓	✓	✓	✓	✓	✓	✓	✓	✓											
DOREMI	Round rose	✓	✓	✓	✓	✓	✓	✓	✓	✓	✓	✓	✓	✓	✓	✓	✓	✓	✓	✓	✓							✓	✓	✓	✓	✓	✓	✓	✓	✓	✓	
	Backplate	✓	✓	✓	✓	✓	✓	✓	✓	✓	✓	✓	✓	✓	✓	✓	✓	✓	✓	✓	✓	✓	✓	✓	✓	✓	✓											
ScanFlex	Copenhagen	✓	✓	✓	✓	✓	✓	✓	✓	✓	✓	✓	✓	✓	✓	✓	✓	✓	✓	✓	✓	✓	✓	✓	✓	✓	✓	✓	✓	✓	✓	✓	✓	✓	✓	✓	✓	
	Oslo	✓	✓	✓	✓	✓	✓	✓	✓	✓	✓	✓	✓	✓	✓	✓	✓	✓	✓	✓	✓	✓	✓	✓	✓	✓	✓	✓	✓	✓	✓	✓	✓	✓	✓	✓	✓	
	Norway	✓	✓	✓	✓	✓	✓	✓	✓	✓	✓	✓	✓	✓	✓	✓	✓	✓	✓	✓	✓	✓	✓	✓	✓	✓	✓	✓	✓	✓	✓	✓	✓	✓	✓	✓	✓	✓
	Sweden	✓	✓	✓	✓	✓	✓	✓	✓	✓	✓	✓	✓	✓	✓	✓	✓	✓	✓	✓	✓	✓	✓	✓	✓	✓	✓	✓	✓	✓	✓	✓	✓	✓	✓	✓	✓	✓
	Denmark	✓	✓	✓	✓	✓	✓	✓	✓	✓	✓	✓	✓	✓	✓	✓	✓	✓	✓	✓	✓	✓	✓	✓	✓	✓	✓	✓	✓	✓	✓	✓	✓	✓	✓	✓	✓	✓
	Finland	✓	✓	✓	✓	✓	✓	✓	✓	✓	✓	✓	✓	✓	✓	✓	✓	✓	✓	✓	✓	✓	✓	✓	✓	✓	✓	✓	✓	✓	✓	✓	✓	✓	✓	✓	✓	✓
	Iceland	✓	✓	✓	✓	✓	✓	✓	✓	✓	✓	✓	✓	✓	✓	✓	✓	✓	✓	✓	✓	✓	✓	✓	✓	✓	✓	✓	✓	✓	✓	✓	✓	✓	✓	✓	✓	✓
	Nordic L	✓	✓	✓	✓	✓	✓	✓	✓	✓	✓	✓	✓	✓	✓	✓	✓	✓	✓	✓	✓	✓	✓	✓	✓	✓	✓	✓	✓	✓	✓	✓	✓	✓	✓	✓	✓	✓
	Nordic U	✓	✓	✓	✓	✓	✓	✓	✓	✓	✓	✓	✓	✓	✓	✓	✓	✓	✓	✓	✓	✓	✓	✓	✓	✓	✓	✓	✓	✓	✓	✓	✓	✓	✓	✓	✓	✓
Dist'n	6650	✓	✓	✓	✓	✓	✓	✓	✓	✓	✓	✓	✓	✓	✓	✓	✓	✓	✓	✓	✓						✓	✓	✓	✓	✓	✓	✓	✓	✓	✓	✓	
	6655	✓	✓	✓	✓	✓	✓	✓	✓	✓	✓	✓	✓	✓	✓	✓	✓	✓	✓	✓	✓						✓	✓	✓	✓	✓	✓	✓	✓	✓	✓	✓	
	3350																										✓	✓	✓	✓	✓	✓	✓	✓	✓	✓	✓	
Classic	640	✓	✓	✓	✓	✓	✓	✓	✓	✓	✓	✓	✓	✓	✓	✓	✓	✓	✓	✓	✓						✓	✓	✓	✓	✓	✓	✓	✓	✓	✓	✓	
	640 DIN																					✓	✓	✓	✓	✓												
	696	✓	✓	✓	✓	✓	✓	✓	✓	✓	✓	✓	✓	✓	✓	✓	✓	✓	✓	✓	✓						✓	✓	✓	✓	✓	✓	✓	✓	✓	✓	✓	✓
	6640**	✓	✓	✓	✓	✓	✓	✓	✓	✓	✓	✓	✓	✓	✓	✓	✓	✓	✓	✓	✓						✓	✓	✓	✓	✓	✓	✓	✓	✓	✓	✓	✓
	6647	✓	✓	✓	✓	✓	✓	✓	✓	✓	✓	✓	✓	✓	✓	✓	✓	✓	✓	✓	✓						✓	✓	✓	✓	✓	✓	✓	✓	✓	✓	✓	✓
	6696**	✓	✓	✓	✓	✓	✓	✓	✓	✓	✓	✓	✓	✓	✓	✓	✓	✓	✓	✓	✓						✓	✓	✓	✓	✓	✓	✓	✓	✓	✓	✓	✓
	3340																										✓	✓	✓	✓	✓	✓	✓	✓	✓	✓	✓	
	3396																											✓	✓	✓	✓	✓	✓	✓	✓	✓	✓	✓
AI	1325	✓	✓	✓	✓	✓	✓	✓	✓	✓	✓	✓	✓	✓	✓	✓	✓	✓	✓	✓	✓	✓	✓	✓	✓	✓	✓	✓	✓	✓	✓	✓	✓	✓	✓	✓	✓	
Accessories	256 (-RL/-SF/-BZ)	✓	✓		✓	✓	✓	✓	✓	✓	✓	✓	✓	✓	✓	✓	✓	✓	✓	✓	✓	✓																
	9256 (-RL/-SF)	✓			✓	✓	✓	✓	✓	✓	✓	✓	✓	✓	✓	✓	✓	✓	✓	✓	✓	✓																
	Con/Mod accs*	✓	✓		✓	✓	✓	✓	✓	✓	✓	✓	✓	✓	✓	✓	✓	✓	✓	✓	✓	✓																
	265 (-RL/-SF/-BZ)	✓																			✓																	
	263																												✓									
	262 (-RL/-SF)																									✓												
	9262 (-RL/-SF)																									✓												

* Connect/Modular accessories include the Classic 18256, 2356 and 2256 and their equivalents in other ranges.

** The 6640 and 6696 lever handles feature very heavy springing; caution should be used when specifying these products with the Modular lockcase range which also features heavy-duty springing, as the combination may be difficult to operate by some elderly or infirm people.

Finishes

In the increasingly polluted atmosphere in which we live, the demands on products to resist corrosion are particularly high. ASSA products have the benefit of the latest automatic plating equipment which incorporates the best of modern plating processes. Satin chrome and stainless steel give extremely good weather resistance, whilst polished brass is offered as a decorative finish. In addition, our products are suitable for powder coating or plating for occasions when it is important to match the finish of other ironmongery on a project.

- ✓ Standard finish
- Special finish

Item	Polished chrome Fin 11	Satin chrome Fin 13	Polished brass Fin 20	Satin stainless Fin 31/34	Satin aluminium Fin 81	Anti-microbial coating
Light Reflectance Value (LRV)	7	40	15	58	78	
Brighthandle range				✓		
Ruko-Line and :DO:RE:MI: ranges				✓		
ScanFlex range				✓		
ASSA Distinction range	✓	✓	✓			
ASSA Classic range		✓	✓			
ASSA Aluminium range					✓	✓
Connect/Modular accessories	●	✓	✓	✓		
Compact accessories	✓	✓	✓			
Narrow profile accessories	✓					
Connect 35mm accessories		✓				

LRV was measured using lever handles of the appropriate finish.

Anti-microbial coatings

Restricting the spread of bacteria and other dangerous organisms is a matter of vital concern in this era of antibiotic resistant 'superbugs' such as MRSA. We have therefore developed a range of anti-microbial finishes for several of our products. These will be particularly useful in applications vulnerable to contamination such as hospitals, schools, leisure facilities, and any buildings with toilets or food preparation areas, especially those used by people with reduced resistance to infection such as the sick, children or the elderly.

How it works

The anti-bacterial effect is produced by a surface treatment applied to the product which contains small quantities of silver. Silver ions are released onto the surface of the product in a steady and controlled manner over the lifetime of the finish.

The silver ions then counteract bacteria in three ways: by preventing transport functions through their cell membranes, inhibiting cell division, and disrupting the cell metabolism.

Key features

- Safe for use in medical and food preparation areas.
- In independent testing, the process destroyed 99.99% of bacteria and moulds exposed to it over a 24-hour period.
- Tested to work against dangerous organisms such as E. coli, Staphylococcus, Listeria, Legionella and Salmonella.
- The coating is an integral part of the product which does not wear off in normal use, and continues to be effective throughout its lifetime.
- Products should still be cleaned in the normal way as part of a regular hygiene routine. Please note that extensive scratching or abrasion can limit the effectiveness of the anti-microbial coating.
- The TAM coating is currently offered on the Aluminium 1325 lever handle, and the Addition finish – which is of architectural quality and resembles satin stainless steel – on the Distinction 6655 and 6655C lever handles.

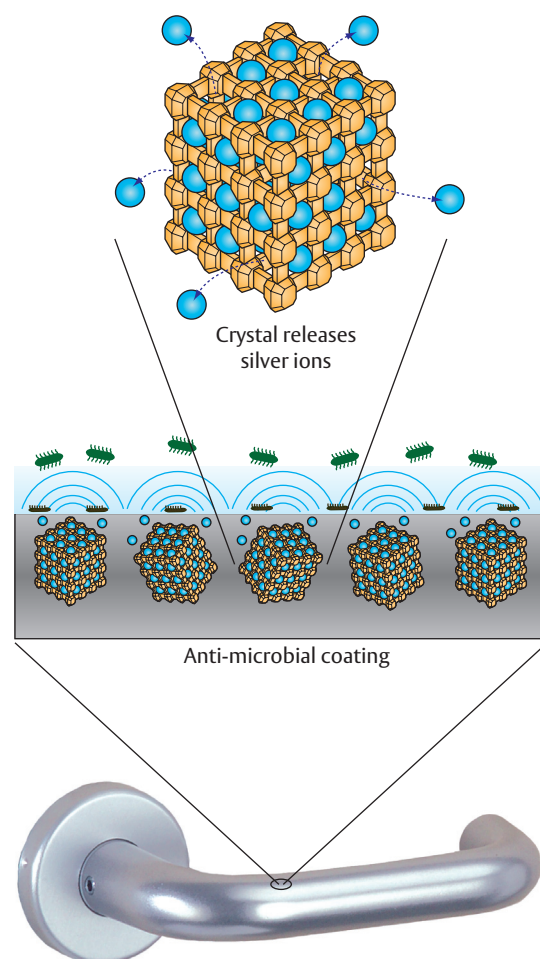


Diagram illustrates TAM coating on aluminium handles.

Dimensions

ASSA Door Furniture sets are supplied as standard for 44/45mm thick doors. However, we also offer a complete range of alternative components. Using these, the products may be adapted to suit doors of different thicknesses.

Cylinder Ring Size (Modular and Small Case Locks):

Face of the cylinder will be 40.25mm from the centreline of the door (34.75mm for 5-pin Cylinders).

Subtract half the door thickness (A) from this measurement to identify the correct cylinder ring size.

Scandinavian Oval cylinders must not project more than 2mm from the face of the cylinder ring, for security reasons. This is less crucial on Scandinavian Round cylinders because of their cover sleeve.

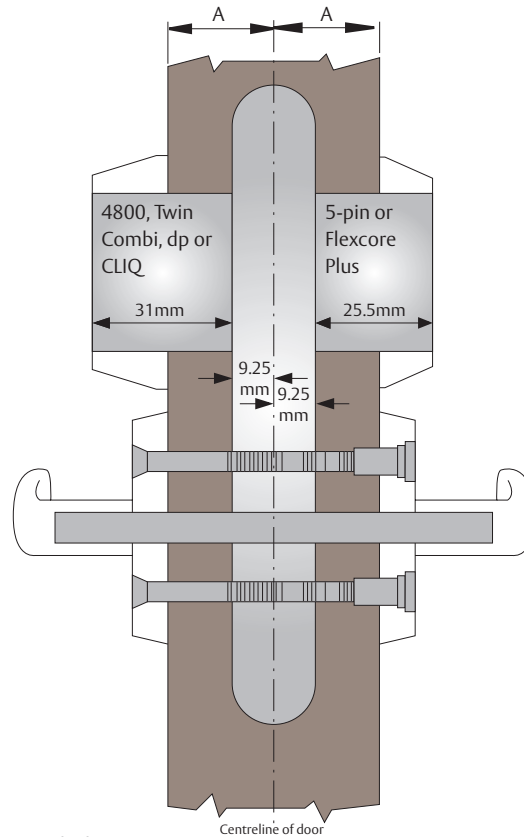
EXAMPLE: Fitting a 4800, ASSA Twin Combi or dp Scandinavian Oval cylinder to 44mm thick doors ($A = 22\text{mm}$), use 18mm cylinder ring. ($40.25\text{mm} - 22\text{mm} = 18\text{mm}$).

Handle Fixings Size (Using ASSA Lever Handles):

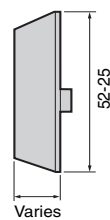
Spindle length should be the door thickness plus not less than 50mm.

Split Spindles should be half the door thickness plus not less than 10mm.

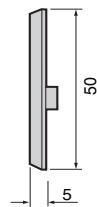
Screws should be the door thickness plus approximately 10mm.



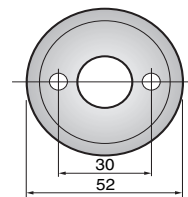
Cylinder ring



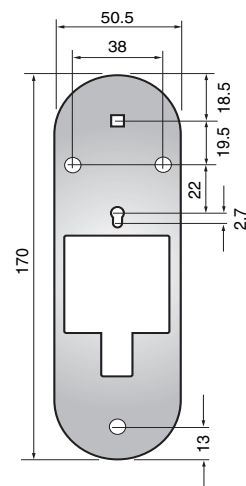
Blind rose
Thumbturn rose



CENTRES
(Handle rose and emergency accessory)



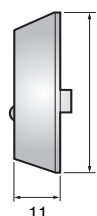
Long backplate



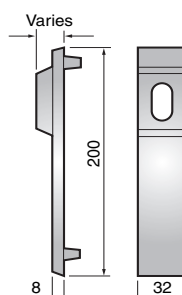
11mm
blind rose



265 toilet
escutcheon



Narrow profile
accessory



Emergency
accessory

