



Bolton Gate Company

EUROFOLD LIFT DOOR

Folding Lift Shutter Door

Data Sheet 1-5

November 22



EUROFOLD LIFT DOOR SPECIFICATION SUMMARY

The Bolton Gate Company Eurofold folding shutter door has long been established as the standard within the lift industry for strength and reliability.

Coupled with the Bolton Gate Company reputation for long lasting quality engineering the Eurofold's robust construction makes it the product of choice for cargo lift car and landing doors around the world.

The shallow top track and compact folding action of the door ensures that much of the opening is available for use and thus providing a distinct advantage over sliding panel type doors.

All the necessary testing and design considerations have been undertaken to ensure the door satisfies the requirements of EN81 Part 20 and Part 50 when specified.

Applications Include:-

Whilst traditionally utilised on goods lifts for supermarkets, shopping malls, retail stores and warehouses the Eurofold Lift Door has been installed on a much broader range of projects both in the UK and around the world including power stations, diamond mines, art galleries and museums.

The remit for it's use are limitless even to inclusion within the Royal Yacht, QE2, now a floating hotel in Dubai.

Performance Characteristics:

EN81 Part 58 (Rated E120 / EW20).

EN81 Part 20 compliant.

EN81 Part 50 compliant.

Key Attributes:

Perfect solution for goods lift car and landing doors.

Heavy duty construction.

Bespoke, compact design.

Compliant with relevant EN81 requirements.



Bolton Gate Company

EUROFOLD LIFT DOOR

Folding Lift Shutter Door

Data Sheet 1-5

November 22

Operation

The Bolton Gate Company Eurofold Lift Door is a manually operated door system.

Despite its heavy duty construction, the sliding folding gate frame allows the door to be pulled or pushed into position with the minimum of effort.

Gate Frame

The Eurofold's intrinsic strength is gained from the rigidity of its gate frame which is formed from unique double channel vertical pickets made from 1.2mm thick galvanised steel. These pickets are interconnected by 2mm thick galvanised steel cold rolled lattice bars. The gate frame is top hung from a ball bearing pulley connected to the picket by zinc plated pulley brackets.

Additionally, at the base, the frame is fitted with zinc plated guide pieces designed to engage within the bottom track.

Leading Edge

A 127mm wide pressed steel leading edge is provided. This leading edge can be prepared for optional locks, latches or interlock beaks etc. A Number 10 bow handle is fitted as standard for ease of operation.

Shutter Leaves

The shutter leaves are rolled from galvanised steel and are available in a 152mm standard width. A 229mm leaf option is also available.

Top Track

The shutter is suspended from a top track constructed from two 90mm deep galvanised steel sections bolted together to provide a smooth running carrier for the gate frame. Being compact in design only minimal headroom is required for the top track.

Bottom Track

The bottom guide pieces are retained within a 26 x 26mm galvanised steel channel type bottom track.

If existing bottom tracks or cills are to be re-used, specially milled guides can be supplied to suit the existing track dimensions.

Finish

Mainly galvanised steel with remaining components finished with a coat of primer paint.

Maximum Size

7000mm wide x 7000mm high
3640mm wide x 2990mm high (for EN81 Part 58)

Weight

Varies with opening size but approximately 35kg/m².

Options

- Vision Panel.
- Holdfast Magnet.
- Mathews Catch.
- Electro-magnet (Car Doors).
- VL10 Gatelocks (Landing Doors).
- Low level VL10 Gatelock release (Landing Doors).
- Complete and partial subframe assemblies (Landing Doors).
- Heavy duty cills (Landing Doors).
- Stainless steel finish to face side.
- Polyester powder coat finish to a range of standard RAL colours.

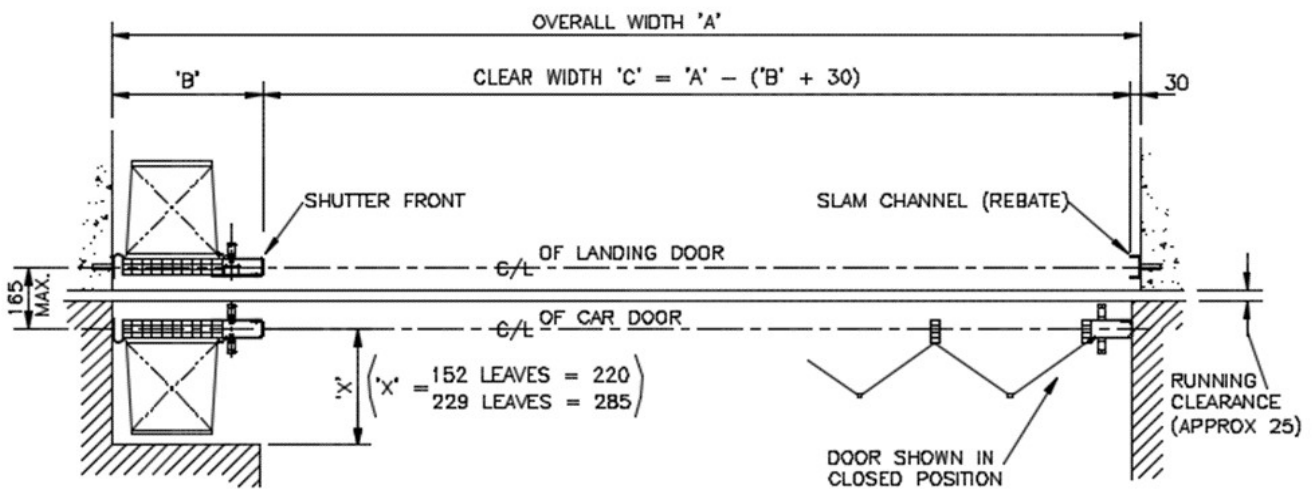
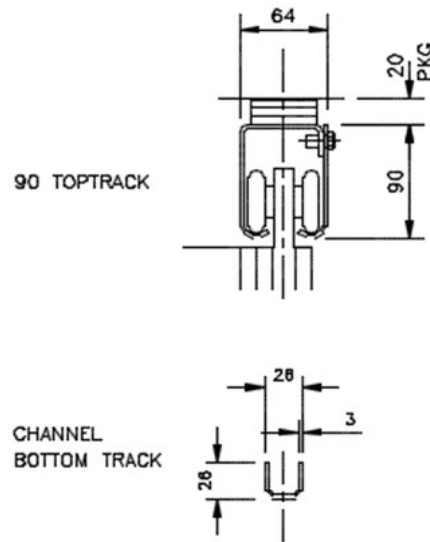
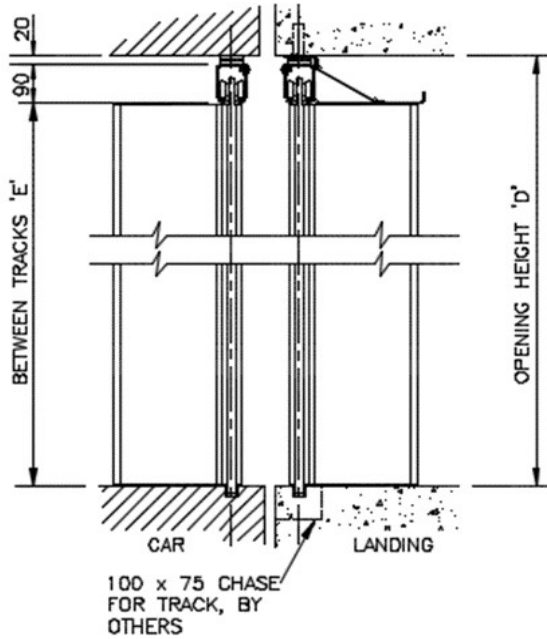
To specify this product please state:

Eurofold Lift Door shall be by Bolton Gate Company Ltd, Waterloo Street, Bolton BL1 2SP, UK

Tel: 01204 871001;

E-mail: sales@boltongate.co.uk **Web:** www.boltongate.co.uk





| | | | | | | | | | | | |
|--------------|---------|------|------|------|------|------|------|------|------|------|------|
| 152mm LEAVES | DIM 'C' | 765 | 1030 | 1295 | 1560 | 1825 | 2090 | 2355 | 2620 | 2885 | 3150 |
| | DIM 'A' | 1020 | 1312 | 1604 | 1896 | 2188 | 2480 | 2772 | 3064 | 3356 | 3648 |

| | | | | | | | | | | | |
|--------------|---------|------|------|------|------|------|------|------|------|------|------|
| 229mm LEAVES | DIM 'C' | 1185 | 1590 | 1995 | 2400 | 2805 | 3210 | 3615 | 4020 | 4425 | 4830 |
| | DIM 'A' | 1440 | 1872 | 2304 | 2736 | 3168 | 3600 | 4032 | 4464 | 4896 | 5328 |

| | | | | | | | | | | | |
|-------|---------|-----|-----|-----|-----|-----|-----|-----|-----|-----|-----|
| BUNCH | DIM 'B' | 225 | 252 | 279 | 306 | 333 | 360 | 387 | 414 | 441 | 468 |
|-------|---------|-----|-----|-----|-----|-----|-----|-----|-----|-----|-----|

NOTE!

THE OVERALL WIDTH AND BUNCH DIMENSIONS ARE CALCULATED USING BOLTON GATE STANDARD 117 ROLLED OR 127 FABRICATED FRONTS. TOP TRACK LENGTH = OVERALL WIDTH - 12.

ALL DIMENSIONS IN mm